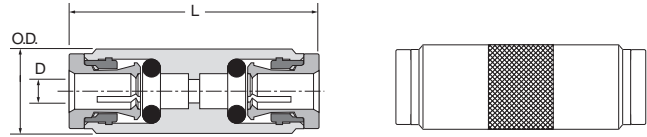


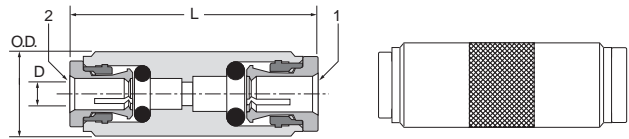
Equal Union 62ML

PART NO.	TUBE SIZE	O.D.	L	FLOW DIA. D.
62ML-2	1/8	.34	1.02	.093
62ML-5/32	5/32	.38	1.03	.110
62ML-4	1/4	.47	1.10	.190
62ML-6	3/8	.63	1.32	.312
62ML-8	1/2	.75	1.43	.440



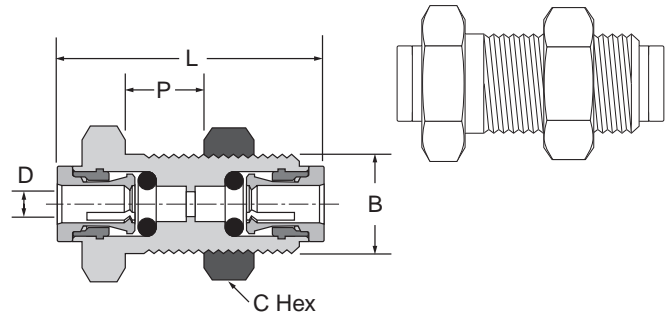
Unequal Union 62ML

PART NO.	TUBE SIZE 1	TUBE SIZE 2	O.D.	L	FLOW DIA. D.
62ML-5/32-2	5/32	1/8	.38	1.03	.093
62ML-4-2	1/4	1/8	.47	1.09	.093
62ML-4-5/32	1/4	5/32	.47	1.09	.110
62ML-4-6	1/4	3/8	.63	1.23	.190
62ML-6-8	3/8	1/2	.75	1.37	.312



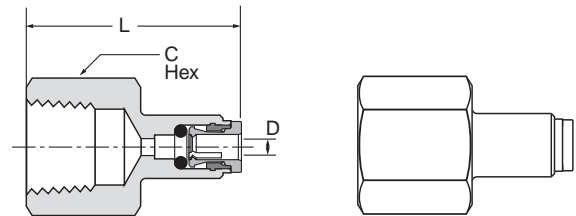
Bulkhead Union 62MLBH

PART NO.	TUBE SIZE	B	C HEX	P MAX.	L	FLOW DIA. D.
62MLBH-2	1/8	3/8	1/2	.51	1.02	.093
62MLBH-5/32	5/32	7/16	9/16	.51	1.03	.110
62MLBH-4	1/4	1/2	5/8	.55	1.10	.190
62MLBH-6	3/8	3/4	7/8	.55	1.32	.312
62MLBH-8	1/2	7/8	1	.60	1.43	.440



Female Connector 66ML

PART NO.	TUBE SIZE	PIPE THREAD NPTF	C HEX	L	FLOW DIA. D.
66ML-2-2	1/8	1/8	9/16	.99	.093
66ML-2-4	1/8	1/4	11/16	1.22	.093
66ML-5/32-2	5/32	1/8	9/16	.98	.110
66ML-5/32-4	5/32	1/4	11/16	1.19	.110
66ML-4-2	1/4	1/8	9/16	.99	.190
66ML-4-4	1/4	1/4	11/16	1.20	.190
66ML-4-6	1/4	3/8	13/16	1.24	.190
66ML-6-4	3/8	1/4	11/16	1.28	.312
66ML-6-6	3/8	3/8	13/16	1.36	.312
66ML-6-8	3/8	1/2	1	1.38	.312
66ML-8-6	1/2	3/8	13/16	1.35	.440
66ML-8-8	1/2	1/2	1	1.58	.440



B