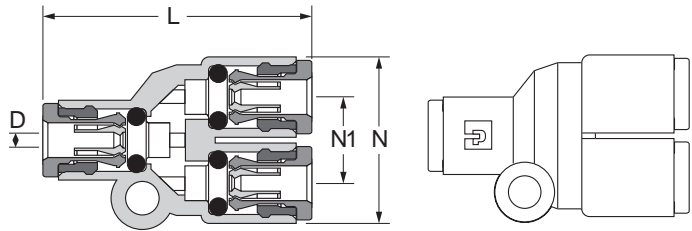


Union Y Connector 362ML

PART NO.	TUBE SIZE	MOUNTING HOLE DIA.	L	N	N1
362ML-2	1/8	.13	1.02	.64	.33
362ML-5/32	5/32	.13	1.08	.71	.38
362ML-4	1/4	.13	1.23	.90	.48
362ML-6*	3/8		2.22	1.37	.68

*3/8 has no mounting hole



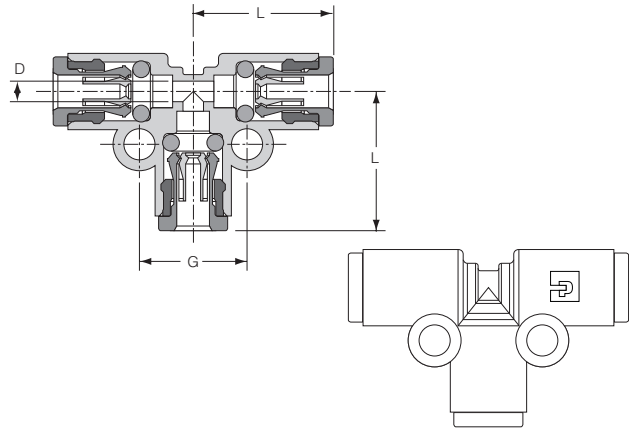
B

Union Tee 364ML

Composite Body

PART NO.	TUBE SIZE	MOUNTING HOLE DIA.	L	G	FLOW DIA. D
364ML-2	1/8	.13	.56	.43	.081
364ML-5/32	5/32	.13	.58	.46	.110
364ML-4	1/4	.13	.67	.53	.190
364ML-6*	3/8		1.11		.250
364ML-8*	1/2		1.17		.376

* 3/8 & 1/2 have no mounting hole



Union Elbow 365ML

Composite Body

PART NO.	TUBE SIZE	MOUNTING HOLE DIA.	L	FLOW DIA. D
365ML-2	1/8	.13	.56	.081
365ML-5/32	5/32	.13	.60	.106
365ML-4	1/4	.13	.67	.190
365ML-6*	3/8		1.11	.250
365ML-8*	1/2		1.15	.376

* 3/8 & 1/2 have no mounting hole

