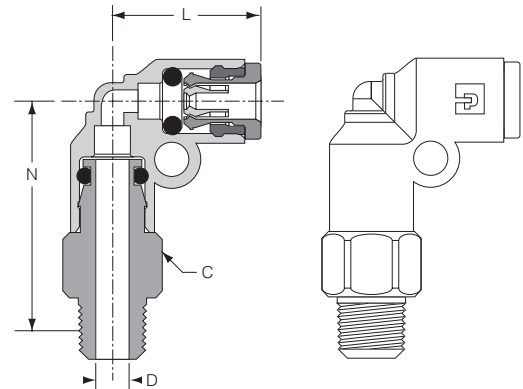
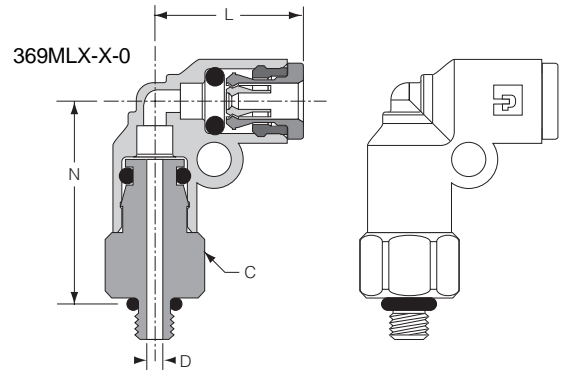


Extended Male Elbow Swivel 369MLX

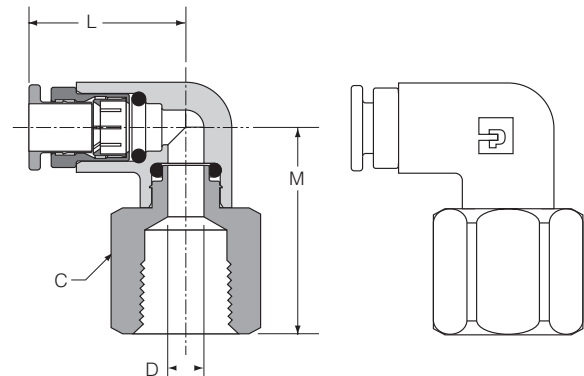
PART NO.	TUBE SIZE	PIPE THREAD	MOUNTING HOLE DIA.	C HEX	L	ASSM HT. N	FLOW DIA D
369MLX-2-0	1/8	10-32	.13	3/8	.56	.84	.078
W369MLX-2-1	1/8	1/16	.13	3/8	.56	.85	.081
W369MLX-2-2	1/8	1/8	.13	7/16	.56	.77	.081
369MLX-5/32-0	5/32	10-32	.13	3/8	.58	.86	.078
W369MLX-5/32-1	5/32	1/16	.13	3/8	.58	.86	.106
W39MLX-5/32-2	5/32	1/8	.13	7/16	.58	.78	.106
W369MLX-5/32-4	5/32	1/4	.13	9/16	.58	.86	.106
369MLX-4-0	1/4	10-32	.13	3/8	.67	1.00	.078
W369MLX-4-1	1/4	1/16	.13	7/16	.67	1.05	.156
W369MLX-4-2	1/4	1/8	.13	7/16	.67	.93	.190
W369MLX-4-4	1/4	1/4	.13	9/16	.67	1.00	.190
W369MLX-6-4*	3/8	1/4		3/4	1.11	1.74	.250
W369MLX-6-6*	3/8	3/8		3/4	1.11	1.73	.250
W369MLX-6-8*	3/8	1/2		7/8	1.11	1.82	.250
W369MLX-8-4*	1/2	1/4		7/8	1.15	2.00	.313
W369MLX-8-6*	1/2	3/8		7/8	1.15	1.99	.328
W369MLX-8-8*	1/2	1/2		7/8	1.15	2.08	.328

* 3/8 & 1/2 have no mounting hole



Female Micro Swivel Elbow 370ML

PART NO.	TUBE SIZE	PIPE THREAD	C HEX	L	M	FLOW DIA D
370ML-2-2	1/8	1/8	9/16	.62	.68	.110
370ML-4-4	1/4	1/4	11/16	.83	1.11	.190



B