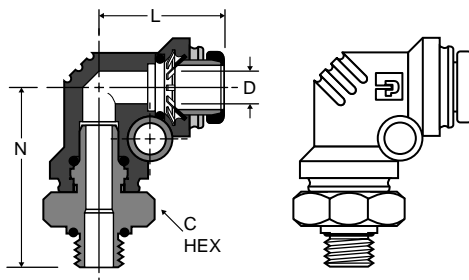


Male Elbow Swivel PLE2BF4-K BSSP

Composite Body

PART NO.	TUBE SIZE	PIPE THREAD BSSP	C HEX	MOUNTING HOLE DIA.	L	N	D
3-1/8PLE2BF4-K	3/16	1/8-28	11/16	.17	.76	1.17	.147
3-1/4PLE2BF4-K	3/16	1/4-19	3/4	.17	.76	1.31	.147
4-1/8PLE2BF4-K	1/4	1/8-28	11/16	.17	.76	1.06	.180
4-1/4PLE2BF4-K	1/4	1/4-19	3/4	.17	.77	1.31	.172
4-3/8PLE2BF4-K	1/4	3/8-19	7/8	.17	.76	1.31	.182
6-1/4PLE2BF4-K	3/8	1/4-19	3/4	.17	1.04	1.57	.297
6-3/8PLE2BF4-K	3/8	3/8-19	7/8	.17	1.04	1.68	.297
6-1/2PLE2BF4-K	3/8	1/2-14	1-1/16	.17	1.04	1.83	.297
8-3/8PLE2BF4-K	1/2	3/8-19	7/8	.17	1.03	1.63	.406
8-1/2PLE2BF4-K	1/2	1/2-14	1-1/16	.17	1.03	1.78	.406

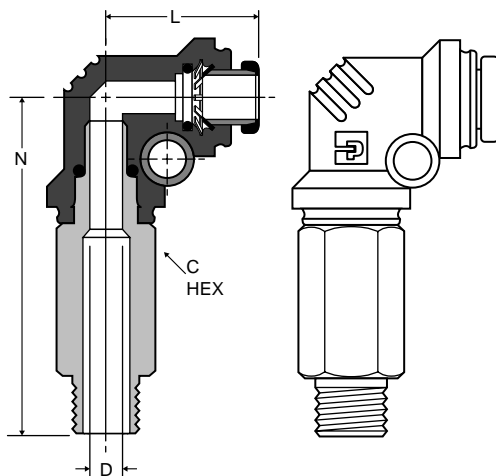


B

Male Elbow Swivel 90° W369PLX

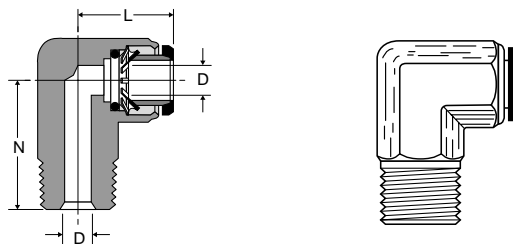
Composite Body

PART NO.	TUBE SIZE	PIPE THREAD [NPTF]	C HEX	MOUNTING HOLE DIA.	L	N	D
W369PLX-2-2	1/8	1/8	7/16	.13	.73	1.74	.080
W369PLX-2-4	1/8	1/4	9/16	.13	.73	1.74	.080
W369PLX-3-2	3/16	1/8	7/16	.17	.76	1.88	.150
W369PLX-3-4	3/16	1/4	9/16	.17	.76	1.88	.150
W369PLX-3-6	3/16	3/8	11/16	.17	.76	1.88	.150
W369PLX-4-2	1/4	1/8	7/16	.17	.76	1.88	.170
W369PLX-4-4	1/4	1/4	9/16	.17	.76	1.88	.170
W369PLX-4-6	1/4	3/8	11/16	.17	.76	1.88	.170
369PLX-5/32-0	5/32	10-32	3/8	.13	.73	1.54	.090
W369PLX-5/32-2	5/32	1/8	7/16	.13	.73	1.54	.090
W369PLX-5/32-4	5/32	1/4	9/16	.13	.73	1.54	.090
W369PLX-5-2	5/16	1/8	9/16	.17	.84	1.99	.223
W369PLX-5-4	5/16	1/4	9/16	.17	.84	1.99	.230
W369PLX-5-6	5/16	3/8	11/16	.17	.84	1.99	.230
W369PLX-6-4	3/8	1/4	5/8	.17	1.04	2.56	.223
W369PLX-6-6	3/8	3/8	11/16	.17	1.04	2.56	.300
W369PLX-6-8	3/8	1/2	7/8	.17	1.04	2.56	.300
W369PLX-8-4	1/2	1/4	3/4	.17	1.03	2.80	.310
W369PLX-8-6	1/2	3/8	3/4	.17	1.03	2.80	.340
W369PLX-8-8	1/2	1/2	7/8	.17	1.03	2.80	.340



Male Elbow 90° W169PLNS

PART NO.	TUBE SIZE	PIPE THREAD [NPTF]	L	N	D
W169PLNS-2-2	1/8	1/8	.78	.68	.094
W169PLNS-5/32-2	5/32	1/8	.81	.68	.125
W169PLNS-5/32-4	5/32	1/4	.81	.89	.125
W169PLNS-4-2	1/4	1/8	.86	.68	.188
W169PLNS-4-4	1/4	1/4	.96	.89	.188
W169PLNS-5-2	5/16	1/8	.98	.78	.234
W169PLNS-5-4	5/16	1/4	1.02	.97	.250
W169PLNS-6-4	3/8	1/4	1.04	.97	.312
W169PLNS-6-6	3/8	3/8	1.11	1.09	.312
W169PLNS-6-8	3/8	1/2	1.20	1.26	.312
W169PLNS-8-6	1/2	3/8	1.31	1.15	.375
W169PLNS-8-8	1/2	1/2	1.31	1.31	.375
169PLNS-5/32-4LT*	5/32	1/4-28	.60	.48	.090



* SAE-LT Threads