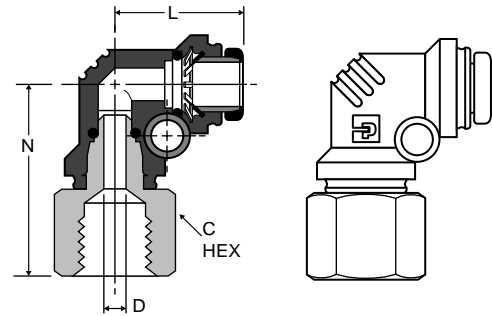


Female Elbow Swivel 370PL

Composite Body

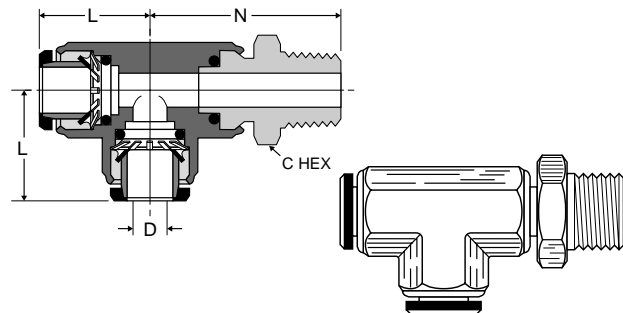
PART NO.	TUBE SIZE	PIPE THREAD [NPTF]	C HEX	MOUNTING HOLE DIA.	L	N	D
370PL-2-2	1/8	1/8	9/16	.13	.71	1.01	.078
370PL-5/32-2	5/32	1/8	9/16	.13	.73	1.01	.090
370PL-5/32-4	5/32	1/4	3/4	.13	.73	1.23	.090
370PL-4-10x32	1/4	10x32	7/16	.17	.76	1.02	.159
370PL-4-2	1/4	1/8	9/16	.17	.76	1.07	.170
370PL-4-4	1/4	1/4	3/4	.17	.76	1.29	.170
370PL-5-4	5/16	1/4	3/4	.17	.84	1.37	.230
370PL-6-4	3/8	1/4	3/4	.17	1.04	1.57	.297
370PL-8-6	1/2	3/8	7/8	.17	1.03	1.57	.340



B

Male Run Tee Swivel W171PL

PART NO.	TUBE SIZE	PIPE THREAD [NPTF]	C HEX	L	N	D
W171PL-2-2	1/8	1/8	7/16	.78	1.22	.078
W171PL-5/32-2	5/32	1/8	7/16	.80	1.24	.109
W171PL-4-2	1/4	1/8	7/16	.96	1.29	.188
W171PL-4-4	1/4	1/4	9/16	.96	1.47	.188
W171PL-5-2	5/16	1/8	1/2	.99	1.42	.234
W171PL-5-4	5/16	1/4	9/16	.99	1.60	.234
W171PL-6-4	3/8	1/4	9/16	1.04	1.66	.297
W171PL-6-6	3/8	3/8	11/16	1.04	1.70	.297
W171PL-8-6	1/2	3/8	3/4	1.19	1.79	.375
W171PL-8-8	1/2	1/2	7/8	1.19	1.98	.375



Male Run Tee Swivel W371PL

Composite Body

PART NO.	TUBE SIZE	PIPE THREAD [NPTF]	C HEX	MOUNTING HOLE DIA.	L	N	G	D
W371PL-2-1	1/8	1/16	3/8	.13	.71	1.08	.52	.078
W371PL-2-2	1/8	1/8	7/16	.13	.71	1.14	.52	.078
W371PL-2-4	1/8	1/4	9/16	.13	.71	1.32	.52	.080
371PL-2-10x32	1/8	10-32	3/8	.13	.71	.94	.52	.078
W371PL-3-2	3/16	1/8	7/16	.17	.76	1.20	.64	.150
W371PL-3-4	3/16	1/4	9/16	.17	.76	1.40	.64	.147
W371PL-5/32-2	5/32	1/8	7/16	.13	.71	1.32	.52	.094
W371PL-5/32-4	5/32	1/4	9/16	.13	.71	1.14	.52	.094
371PL5/32-10x32	5/32	10-32	3/8	.13	.71	.94	.52	.090
W371PL-4-1	1/4	1/16	7/16	.17	.76	1.20	.64	.094
W371PL-4-2	1/4	1/8	7/16	.17	.76	1.20	.64	.170
W371PL-4-4	1/4	1/4	9/16	.17	.76	1.38	.64	.170
371PL-4-10x32	1/4	10-32	7/16	.13	.76	1.05	.64	.094
W371PL-4-6	1/4	3/8	11/16	.17	.76	1.42	.64	.170
W371PL-5-2	5/16	1/8	9/16	.17	.84	1.28	.71	.220
W371PL-5-4	5/16	1/4	9/16	.17	.84	1.46	.71	.234
W371PL-6-2	3/8	1/8	9/16	.13	1.04	1.48	.83	.230
W371PL-6-4	3/8	1/4	5/8	.17	1.04	1.66	.83	.297
W371PL-6-6	3/8	3/8	11/16	.17	1.04	1.70	.83	.297
W371PL-6-8	3/8	1/2	7/8	.13	1.04	1.85	.83	.300
W371PL-8-4	1/2	1/4	3/4	.17	1.30	2.07	1.00	.310
W371PL-8-6	1/2	3/8	3/4	.17	1.30	1.68	1.00	.344
W371PL-8-8	1/2	1/2	7/8	.17	1.30	2.26	1.00	.344

