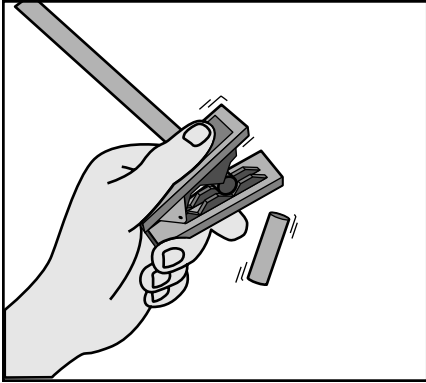


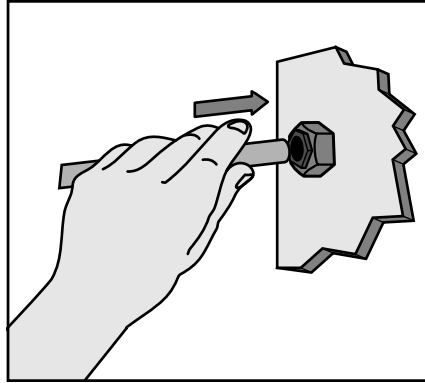
How to Use

B

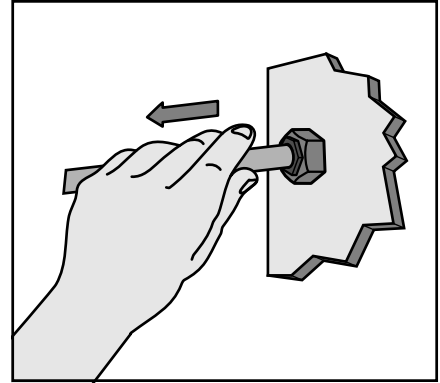


Assembly

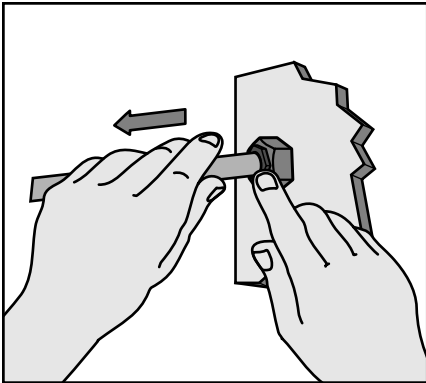
Cut the tube square. Debur copper tubing



Insert the tube into the fitting until it bottoms.

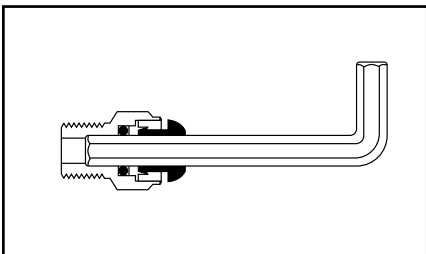


Pull the tube to check engagement of the grab ring.



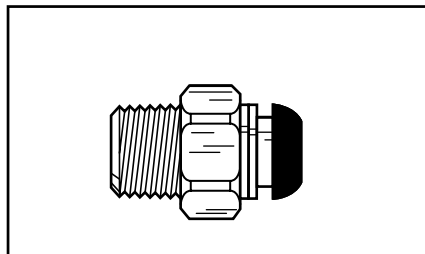
Disassembly

To remove the tube, disengage the grab ring teeth by a simple manual pressure on the push sleeve and withdraw the tube from the fitting.



Straight male connector with an internal hex

- Straight male connectors have an internal Allen key socket for close porting in compact installations.



Coated threads

- Taper threaded fittings are treated with a special Parker PTFE Coating (PTC) for self sealing on assembly, reusable up to five times without additional sealing material.

Brass nickel-plated fitting

- Nickel plating gives better corrosion resistance and has a long-lasting bright appearance.