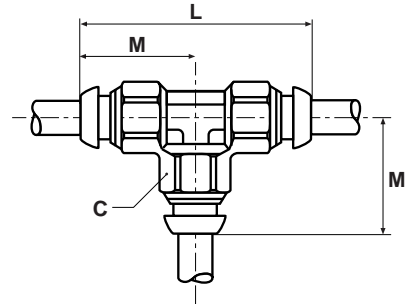


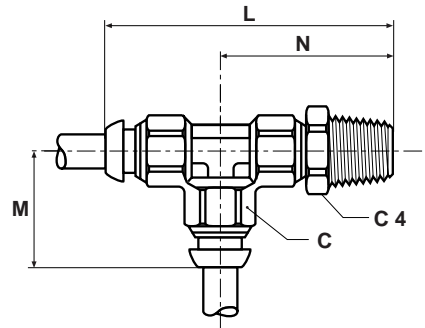
**JPB Union Tee**

PART NO.	TUBE SIZE	C	L	M
JPB4	4	10	36	18
JPB5	5	12	41	21
JPB6	6	12	40	20
JPB8	8	14	44	22
JPB10	10	17	56	28
JPB12	12	22	60	30
JPB14	14	25	68	34



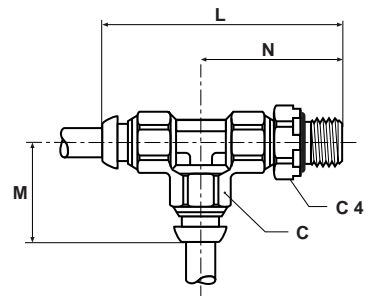
**R63PB Swivel Male Run Tee BSPT**

PART NO.	TUBE SIZE	BSPT	C HEX	C4 HEX	L	M	N
R63PB4-1/8	4	1/8	10	10	44.5	18	26.5
R63PB4-1/4	4	1/4	10	14	48.0	18	30.0
R63PB6-1/8	6	1/8	12	11	48.0	20	28.0
R63PB6-1/4	6	1/4	12	14	51.0	20	31.0
R63PB8-1/8	8	1/8	14	14	52.0	22	30.0
R63PB8-1/4	8	1/4	14	14	55.0	22	33.0
R63PB8-3/8	8	3/8	14	17	56.5	22	34.5
R63PB10-1/4	10	1/4	17	17	68.0	28	40.0
R63PB10-3/8	10	3/8	17	17	67.0	28	39.0
R63PB12-1/4	12	1/4	22	19	72.0	30	42.0
R63PB12-3/8	12	3/8	22	19	71.0	30	41.0
R63PB12-1/2	12	1/2	22	22	74.5	30	44.5
R63PB14-3/8	14	3/8	25	22	80.0	34	46.0
R63PB14-1/2	14	1/2	25	22	82.5	34	48.5



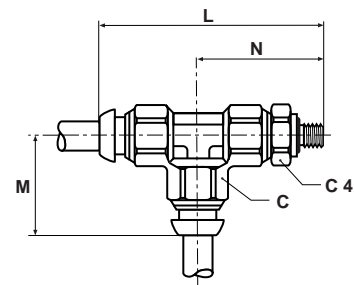
**R64PB Swivel Male Branch Run Tee BSPP**

PART NO.	TUBE SIZE	BSPP	C HEX	C4 HEX	L	M	N
R64PB4-1/8	4	1/8	10	14	6	44.5	18
R64PB4-1/4	4	1/4	10	19	9	49.5	18
R64PB6-1/8	6	1/8	12	14	6	50.0	20
R64PB6-1/4	6	1/4	12	19	9	53.0	20
R64PB8-1/8	8	1/8	14	14	6	52.0	22
R64PB8-1/4	8	1/4	14	19	9	57.0	22
R64PB8-3/8	8	3/8	14	22	9	58.0	22
R64PB10-1/4	10	1/4	17	19	9	67.0	28
R64PB10-3/8	10	3/8	17	22	9	68.0	28
R64PB12-1/4	12	1/4	22	19	9	71.0	30
R64PB12-3/8	12	3/8	22	22	9	72.0	30
R64PB14-3/8	14	3/8	25	22	9	80.0	34
R64PB14-1/2	14	1/2	25	27	12	84.5	34



**R68PB Adjustable Male Run Tee Metric Straight Thread**

PART NO.	TUBE SIZE	MM THREAD	C HEX	C4 HEX	L	M	N
R68PB4M3	4	M3x0.5	10	10	41.0	18	23.0
R68PB4M5	4	M5x0.8	10	10	42.5	18	24.5
R68PB6M5	6	M5x0.8	12	11	45.5	20	25.5



**B**