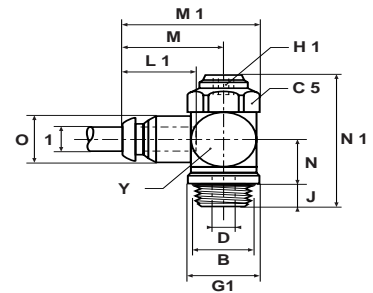


PTF4/8PB Flow Regulator with Push-In Connection

PART NO.	1	B	C5	D	G1	H1	J	M	M1	N	N1	O	Y
PTF8PB4M5*	4	M5x0.8	8	1.65	10.0	1.5	4	19.5	24.5	6.3	22.0	10	10
PTF4PB4-1/8	4	1/8	14	3.00	14.4	2.0	6	22.0	30.1	10.7	34.5	10	14
PTF8PB6M5*	6	M5x0.8	8	1.65	10.0	1.5	4	20.5	26.5	7.3	24.5	12	12
PTF4PB6-1/8	6	1/8	14	3.20	14.4	2.0	6	23.5	31.6	10.7	34.5	12	14
PTF4PB6-1/4	6	1/4	17	5.20	18.4	4.0	7	25.0	34.9	13.8	41.0	12	17
PTF4PB6-3/8	6	3/8	22	5.50	21.6	4.0	7	28.0	40.7	17.3	51.0	12	22
PTF4PB8-1/8	8	1/8	14	3.20	14.4	2.0	6	25.0	33.1	10.7	34.5	14	14
PTF4PB8-1/4	8	1/4	17	5.20	18.4	4.0	7	28.5	38.3	13.8	41.0	14	17
PTF4PB8-3/8	8	3/8	22	6.00	21.6	4.0	7	29.5	42.2	17.3	51.0	14	22
PTF4PB10-1/4	10	1/4	17	5.20	18.4	4.0	7	31.5	41.3	13.8	41.0	17	17
PTF4PB10-3/8	10	3/8	22	6.00	21.6	4.0	7	34.0	46.7	17.3	51.0	17	22
PTF4PB10-1/2	10	1/2	27	8.00	26.5	4.0	9	36.5	52.1	20.1	61.0	17	27
PTF4PB12-3/8	12	3/8	22	6.00	21.6	4.0	7	34.0	46.7	17.3	51.0	20	22
PTF4PB12-1/2	12	1/2	27	8.50	26.5	4.0	9	36.5	52.1	20.1	61.0	20	27

* These fittings are supplied with Nylon seal.

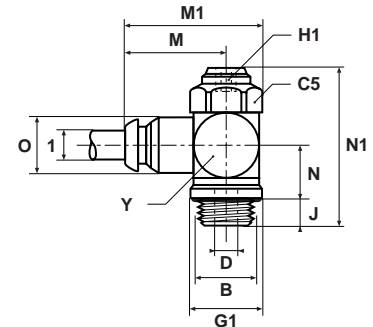


Exhaust Flow Control

PTFA4/8PB Flow Regulator with Push-In Connection

PART NO.	1	B	C5	D	G1	H1	J	M	M1	N	N1	O	Y
PTFA8PB4M5*	4	M5x0.8	8	1.7	10.0	1.5	4	19.5	24.5	6.3	22.0	10	10
PTFA4PB4-1/8	4	1/8	14	3.0	14.4	2.0	6	22.0	30.1	10.7	34.5	10	14
PTFA8PB6M5*	6	M5x0.8	8	1.7	10.0	1.5	4	20.5	26.5	7.3	24.5	12	12
PTFA4PB6-1/8	6	1/8	14	3.2	14.4	2.0	6	23.5	31.6	10.7	34.5	12	14
PTFA4PB6-1/4	6	1/4	17	5.2	18.4	4.0	7	25.0	34.9	13.8	41.0	12	17
PTFA4PB8-1/8	8	1/8	14	3.2	14.4	2.0	6	25.0	33.1	10.7	34.5	14	14
PTFA4PB8-1/4	8	1/4	17	5.2	18.4	4.0	7	28.5	38.3	13.8	41.0	14	17

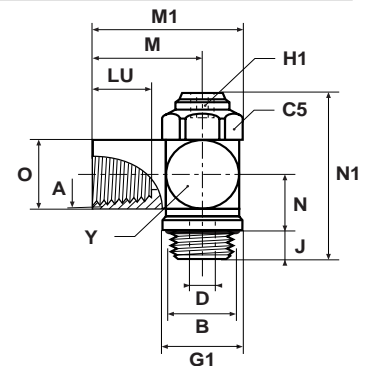
* These fittings are supplied with Nylon seal.



Inlet Flow Control

PTF4 Flow Regulator with Threaded Connection

PART NO.	A	B	C5	D	G1	H1	J	LU	M	M1	N	N1	O	Y
PTF4-1/8	1/8	1/8	14	3.2	14.4	2	6	8.5	17.5	25.6	10.7	34.5	13.9	14
PTF4-1/4	1/4	1/4	17	5.2	18.4	4	7	12.5	24.5	34.3	10.7	34.5	16.9	17
PTF4-3/8	3/8	3/8	22	6.0	21.6	4	7	12.5	27.5	40.2	13.8	41.0	21.6	22
PTF4-1/2	1/2	1/2	27	8.5	26.5	4	9	14.5	33.5	49.1	17.3	51.0	26.5	27



Exhaust Flow Control

Only items priced in current price list are carried in stock. Dimensions shown may be changed at any time without prior notice.