

**Prestoflow - Flow regulator - Swivel outlet**

**Principle**

Prestoflow unidirection swivel flow regulators are designed for mounting directly onto the cylinder exhaust port and provide precise control of the piston rod speed. The swivel outlet is designed to allow vertical or oblique tube exit where access is restricted.

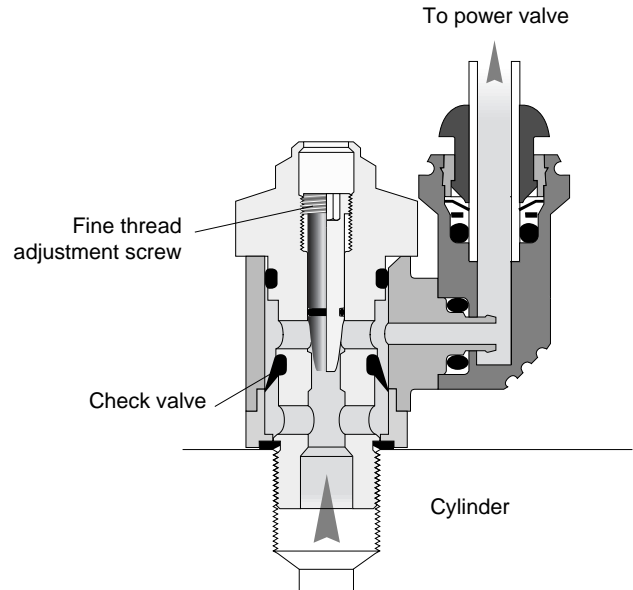
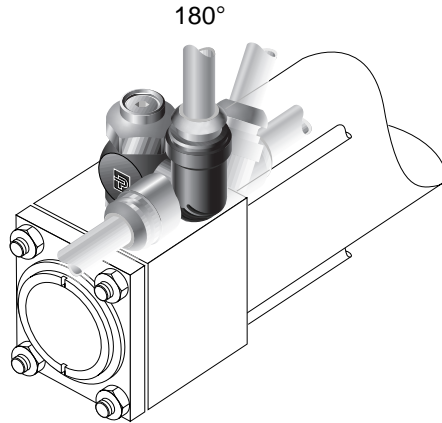
- A check valve blocks the full flow ports in the exhaust direction.
- The flow is controlled by a needle valve fitted in the regulator bolt.
- The swivel outlet can be positioned in the most suitable direction.

**Flow adjustment**

Flow control is adjusted with an Allen key. The large number of turns from fully closed to fully open allows for precise flow control.



Exhaust flow control



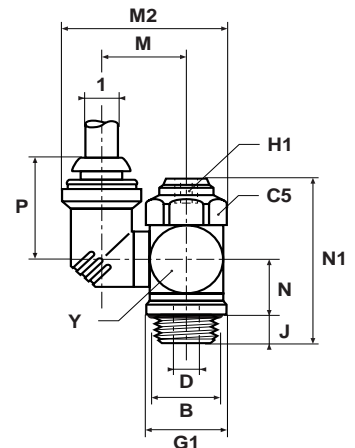
**Technical features**

BODY MATERIAL	SWIVEL ELBOW MATERIAL	BOLT MATERIAL	BOLT THREAD	SEALING DEVICE		TERMINATIONS	ADJUSTMENT SCREW	WORKING TEMP.	WORKING PRESSURE
				M5 Nylon Washer	1/8 - 3/8 BSPP Nitrile E.D. Seal				
Brass Black Epoxy Coated	High Resistance Polyamide	Brass	M5 1/8 BSPP 1/4 BSPP 3/8 BSPP 1/2 BSPP	M5 Nylon Washer	1/8 - 3/8 BSPP Nitrile E.D. Seal	4 mm - 8 mm Push-In	Brass	From 0° to +150° F	140 PSI

**PTF4/8E6PB Flow Regulator with Push-In Connection**

PART NO.	1	B	C5	D	G1	H1	J	M	M2	N	N1	P	Y
PTF8E6PB4M5*	4	M5x0.8	8	1.65	10.0	1.5	4	11.7	18.4	6.2	22.5	20.5	10
PTF4E6PB4-1/8	4	1/8	14	3.00	14.4	2.0	6	14.3	30.0	10.7	34.5	20.5	14
PTF8E6PB6M5*	6	M5x0.8	8	1.65	10.0	1.5	4	12.7	20.4	7.2	24.5	23.0	12
PTF4E6PB6-1/8	6	1/8	14	3.20	14.4	2.0	6	15.3	31.0	10.7	34.5	23.0	14
PTF4E6PB6-1/4	6	1/4	17	5.20	18.4	4.0	7	17.3	35.0	13.8	41.0	23.0	17
PTF4E6PB6-3/8	6	3/8	22	5.50	21.6	4.0	7	19.8	40.0	17.3	51.0	23.0	22
PTF4E6PB8-1/8	8	1/8	14	3.20	14.4	2.0	6	16.8	33.5	10.7	34.5	25.0	14
PTF4E6PB8-1/4	8	1/4	17	5.20	18.4	4.0	7	18.3	37.0	13.8	41.0	25.0	17
PTF4E6PB8-3/8	8	3/8	22	6.00	21.6	4.0	7	20.8	42.0	17.3	51.0	25.0	22

\* These fittings are supplied with Nylon seal.



Only items priced in current price list are carried in stock. Dimensions shown may be changed at any time without prior notice.