

Prestoflow - Flow regulator - In-line series

Principle

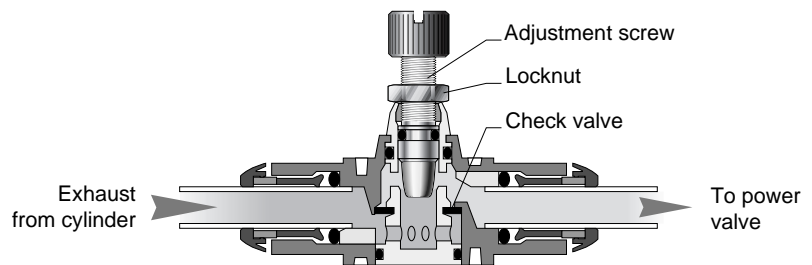
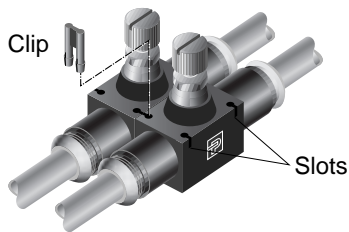
Prestoflow unidirection in-line flow regulators are designed to be used directly in the compressed air line when cylinder access is difficult or where another function fitting is already connected to the cylinder port. The fine thread knurled adjuster provides precise control of piston rod speed. When the desired flow has been set the adjusting bolt can be locked in position.

- A check valve blocks the full flow ports in the exhaust direction.
- The flow is controlled by a needle valve fitted in the regulator body.
- These regulators can be :
 - mounted using the 4 fixing holes
 - assembled into banks using the joining clips included.



Flow adjustment

Flow control is adjusted with a screwdriver or manually with the knurled nut. When the desired flow is set the adjusting screw can be locked using the locking nut. The large number of turns from fully closed to fully open allows for precise flow control.

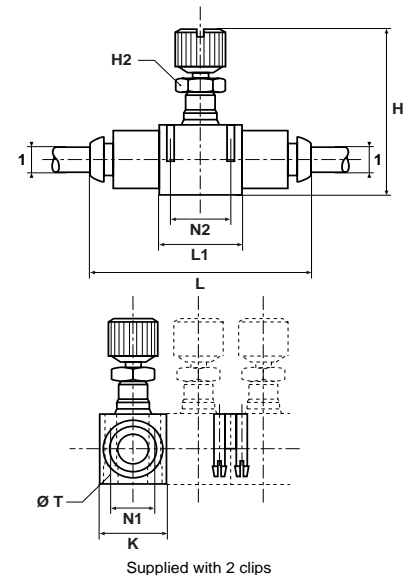


Technical features

BODY MATERIAL	CARTRIDGE MATERIAL	ADJUSTMENT AND LOCKING NUT		TERMINATIONS	WORKING TEMPERATURE	WORKING PRESSURE
High Resistance Polyamide	Brass	Standard Adjustment Brass	Ultrafine Adjustment Duralumin	4 mm - 12 mm Push-In	From 0° to +150° F	140 PSI

PTFIPK Flow Regulator with Push-In Connection

PART NO.	1	H MIN.	H MAX.	H2	K	L	L1	N1	N2	T
PTFIPK4	4	29.5	33.5	5	12.0	39.0	15	8.0	11.0	2.2
PTFIPK6	6	39.5	44.5	8	17.0	55.0	23	11.0	17.0	3.2
PTFIPK8	8	44.0	50.0	11	18.5	61.5	26	12.5	20.0	3.2
PTFIPK10	10	52.0	61.0	14	24.0	77.0	33	16.0	26.0	4.2
PTFIPK12	12	57.5	67.5	14	28.0	87.0	35	20.0	27.5	4.2



Only items priced in current price list are carried in stock. Dimensions shown may be changed at any time without prior notice.

