

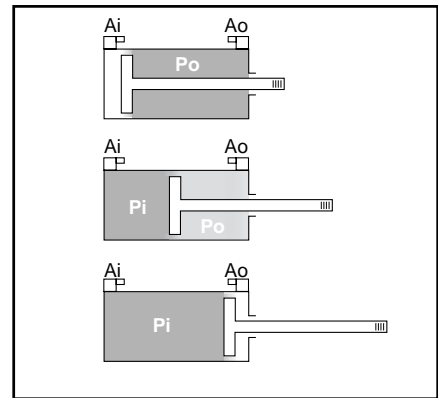
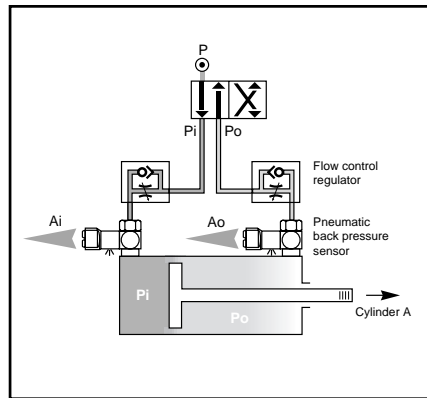
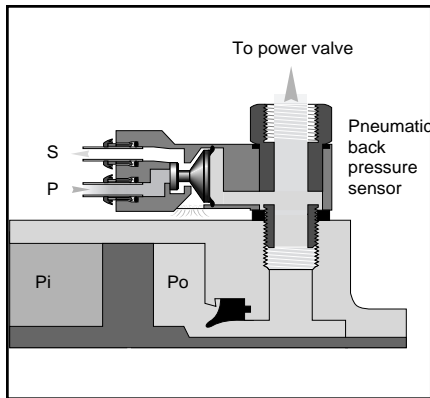
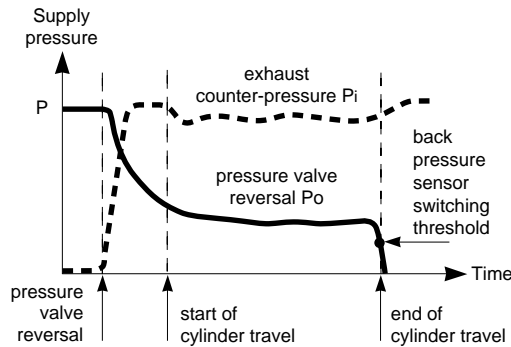
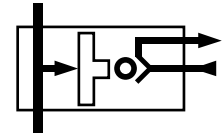
Prestosensor Pressure sensor fittings

Principle

Prestosensor fittings are designed for direct mounting onto the cylinder. These sensors detect end of stroke travel by the variation in internal operating pressure. The sensing can be pneumatic, electric or electronic to suit the application. These fittings remove the need for mechanical position switches.

Operation

- Mounting to cylinder port
- Pressure sensors should be mounted in conjunction with flow regulators
- Pressure sensing on diaphragm valve.



Mounting of pressure sensors

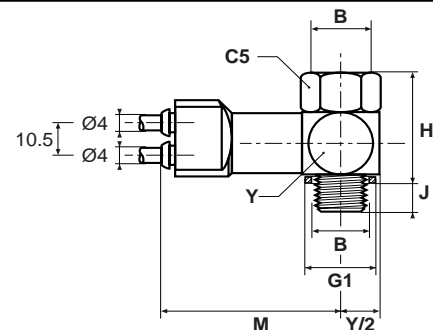
Signals from pressure sensors

Technical features

BODY MATERIAL		BOLT MATERIAL	BOLT THREAD	SEALING DEVICE	TERMINATORS			WORKING TEMP.	WORKING PRESSURE
PNEUMATIC OUTPUT VERSION	ELECTRIC AND ELECTRONIC VERSION				PNEUMATIC OUTPUT VERSION	ELECTRIC OUTPUT VERSION	ELECTRONIC OUTPUT VERSION		
Zinc Alloy and Thermoplastic	Thermoplastic	M5 Bichromate steel 1/8 to 1/2 BSPP: Brass	M5 1/8 BSPP 1/4 BSPP 3/8 BSPP 1/2 BSPP	Nylon Washer	4 mm Push-In or M5 Female Thread	3 Core Cable 0.5 mm ² 2 Meters Long	3 Core Cable 0.1 mm ² 2 Meters Long	From 0° to +140° F	100 PSI

PTP4/8PB Pressure Sensor Pneumatic Output with Push-In Connection

PART NO.	B	C5	G1	H	J	M	Y
PTP8PB4M5	M5	8	3.5	16	8.0	43.5	11.0
PTP4PB4-1/8	1/8	14	6.0	23	14.0	45.0	16.0
PTP4PB4-1/4	1/4	17	7.0	28	17.5	47.0	19.5
PTP4PB4-3/8	3/8	22	8.0	29	21.0	49.5	23.5
PTP4PB4-1/2	1/2	27	10.0	30	25.5	53.5	31.5



Only items priced in current price list are carried in stock. Dimensions shown may be changed at any time without prior notice.