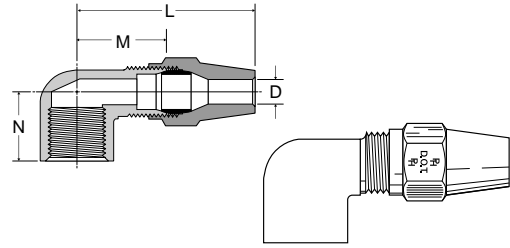


Female Elbow 270AB

Ref. SAE 120203 BA

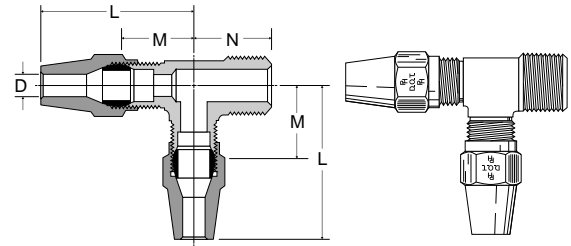
| PART NO. | TUBE SIZE | PIPE THREAD | STRAIGHT THREAD | L | M | N | FLOW DIA. D |
|------------|-----------|-------------|-----------------|------|------|------|-------------|
| 270AB-4-2 | 1/4 | 1/8 | 7/16-24 | 1.27 | .69 | .52 | .189 |
| 270AB-4-4 | 1/4 | 1/4 | 7/16-24 | 1.36 | .78 | .71 | .189 |
| 270AB-6-2 | 3/8 | 1/8 | 17/32-24 | 1.72 | .83 | .59 | .314 |
| 270AB-6-4 | 3/8 | 1/4 | 17/32-24 | 1.78 | .89 | .77 | .314 |
| 270AB-6-6 | 3/8 | 3/8 | 17/32-24 | 1.82 | .93 | .77 | .314 |
| 270AB-8-6 | 1/2 | 3/8 | 11/16-20 | 1.99 | 1.03 | .82 | .408 |
| 270AB-8-8 | 1/2 | 1/2 | 11/16-20 | 2.09 | 1.13 | 1.01 | .408 |
| 270AB-10-8 | 5/8 | 1/2 | 13/16-18 | 2.28 | 1.19 | 1.07 | .533 |



Male Run Tee VS271AB

Ref. SAE 120424 BA

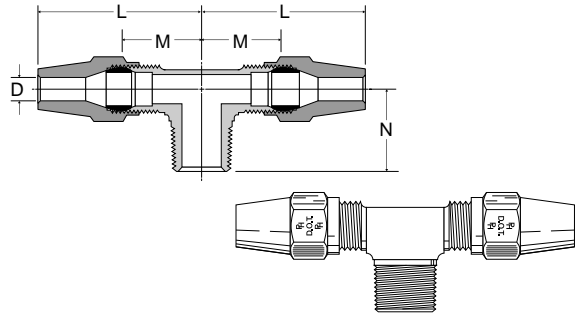
| PART NO. | TUBE SIZE | PIPE THREAD | STRAIGHT THREAD | L | M | N | FLOW DIA. D |
|--------------|-----------|-------------|-----------------|------|------|------|-------------|
| VS271AB-4-2 | 1/4 | 1/8 | 7/16-24 | 1.20 | .62 | .66 | .189 |
| VS271AB-4-4 | 1/4 | 1/4 | 7/16-24 | 1.26 | .68 | .87 | .189 |
| VS271AB-6-4 | 3/8 | 1/4 | 17/32-24 | 1.68 | .79 | .92 | .314 |
| VS271AB-6-6 | 3/8 | 3/8 | 17/32-24 | 1.73 | .84 | .91 | .314 |
| VS271AB-8-6 | 1/2 | 3/8 | 11/16-20 | 1.89 | .93 | .99 | .408 |
| VS271AB-8-8 | 1/2 | 1/2 | 11/16-20 | 1.99 | 1.03 | 1.18 | .408 |
| VS271AB-10-8 | 5/8 | 1/2 | 13/16-18 | 2.18 | 1.09 | 1.24 | .533 |



Male Branch Tee VS272AB

Ref. SAE 120425 BA

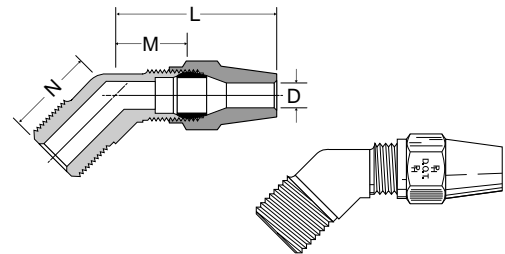
| PART NO. | TUBE SIZE | PIPE THREAD | STRAIGHT THREAD | L | M | N | FLOW DIA. D |
|--------------|-----------|-------------|-----------------|------|------|------|-------------|
| VS272AB-4-2 | 1/4 | 1/8 | 7/16-24 | 1.20 | .62 | .66 | .189 |
| VS272AB-4-4 | 1/4 | 1/4 | 7/16-24 | 1.26 | .68 | .87 | .189 |
| VS272AB-6-2 | 3/8 | 1/8 | 17/32-24 | 1.61 | .72 | .75 | .189 |
| VS272AB-6-4 | 3/8 | 1/4 | 17/32-24 | 1.68 | .79 | .92 | .314 |
| VS272AB-6-6 | 3/8 | 3/8 | 17/32-24 | 1.73 | .84 | .91 | .314 |
| VS272AB-8-6 | 1/2 | 3/8 | 11/16-20 | 1.89 | .93 | .99 | .408 |
| VS272AB-8-8 | 1/2 | 1/2 | 11/16-20 | 1.99 | 1.03 | 1.18 | .408 |
| VS272AB-10-8 | 5/8 | 1/2 | 13/16-18 | 2.18 | 1.09 | 1.24 | .533 |



45° Elbow VS279AB

Ref. SAE 120302 BA

| PART NO. | TUBE SIZE | PIPE THREAD | STRAIGHT THREAD | L | M | N | FLOW DIA. D |
|--------------|-----------|-------------|-----------------|------|------|------|-------------|
| VS279AB-4-2 | 1/4 | 1/8 | 7/16-24 | 1.07 | .49 | .63 | .189 |
| VS279AB-4-4 | 1/4 | 1/4 | 7/16-24 | 1.18 | .60 | .85 | .189 |
| VS279AB-6-2 | 3/8 | 1/8 | 17/32-24 | 1.60 | .71 | .68 | .189 |
| VS279AB-6-4 | 3/8 | 1/4 | 17/32-24 | 1.64 | .71 | .85 | .314 |
| VS279AB-6-6 | 3/8 | 3/8 | 17/32-24 | 1.64 | .75 | .94 | .314 |
| VS279AB-6-8 | 3/8 | 1/2 | 17/32-24 | 1.67 | .78 | 1.16 | .314 |
| VS279AB-8-6 | 1/2 | 3/8 | 11/16-20 | 1.80 | .84 | .94 | .408 |
| VS279AB-8-8 | 1/2 | 1/2 | 11/16-20 | 1.83 | .87 | 1.16 | .408 |
| VS279AB-10-6 | 5/8 | 3/8 | 13/16-18 | 2.03 | .94 | .98 | .408 |
| VS279AB-10-8 | 5/8 | 1/2 | 13/16-18 | 2.13 | 1.05 | 1.16 | .533 |
| VS279AB-12-8 | 3/4 | 1/2 | 1-18 | 2.34 | 1.10 | 1.18 | .533 |



G