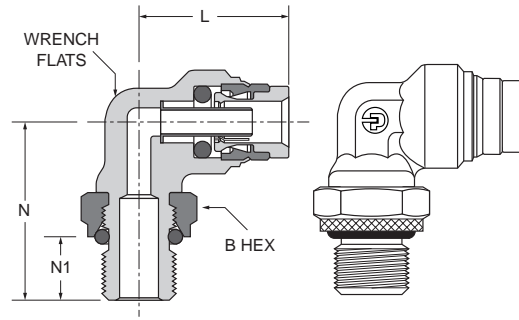


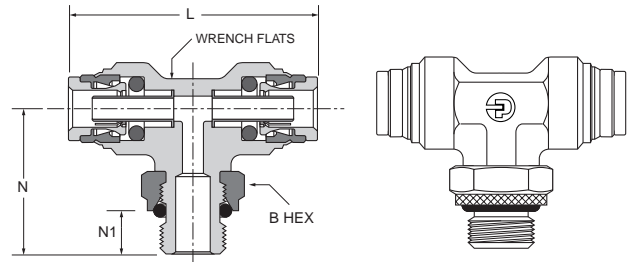
Male Elbow Metric Straight Thread C8UPMTB

PART NO.	TUBE SIZE (mm)	METRIC THREAD	WRENCH		L (mm)	N (mm)	N1 (mm)
			FLATS (mm)	B HEX (mm)			
C8UPMTB6-M10	6	M10x1.5	10	14	24.8	26.0	7.5
C8UPMTB6-M12	6	M12x1.5	10	17	24.8	28.2	9.5
C8UPMTB6-M16	6	M16x1.5	11	24	25.0	34.0	10.5
C8UPMTB6-M22	6	M22x1.5	16	30	28.1	41.4	10.5
C8UPMTB8-M12	8	M12x1.5	16	17	27.5	33.0	9.5
C8UPMTB8-M14	8	M14x1.5	16	19	26.7	33.5	9.5
C8UPMTB8-M16	8	M16x1.5	16	24	27.5	34.0	10.5
C8UPMTB8-M22	8	M22x1.5	19	30	32.0	40.4	10.5
C8UPMTB10-M12	10	M12x1.5	16	17	29.4	30.2	9.5
C8UPMTB10-M16	10	M16x1.5	19	24	30.3	33.5	10.5
C8UPMTB10-M22	10	M22x1.5	19	30	32.0	38.4	10.5
C8UPMTB12-M16	12	M16x1.5	16	24	31.2	35.6	10.5
C8UPMTB12-M22	12	M22x1.5	16	30	32.9	38.4	10.5
C8UPMTB16-M16	16	M16x1.5	19	24	30.6	36.4	10.5
C8UPMTB16-M22	16	M22x1.5	25	30	31.7	40.4	10.5



Male Branch Tee Swivel Metric Straight Thread S8UPMTB

PART NO.	TUBE SIZE (mm)	METRIC THREAD	WRENCH		L (mm)	N (mm)	N1 (mm)
			FLATS (mm)	HEX (mm)			
S8UPMTB8-M16	8	M16x1.5	14	24	52.4	29.5	10.5
S8UPMTB12-M16	12	M16x1.5	19	24	65.9	37.6	10.5
S8UPMTB12-M22	12	M22x1.5	23	30	65.9	35.6	10.5
S8UPMTB16-M22	16	M22x1.5	16	24	64.3	40.1	10.5



Male Elbow 45° Metric Straight Thread V8UPMTB

PART NO.	TUBE SIZE (mm)	METRIC THREAD	WRENCH		L (mm)	N (mm)	N1 (mm)
			FLATS (mm)	B HEX (mm)			
V8UPMTB10-M22	10	M22x1.5	22	30	31.7	28.5	10.5
V8UPMTB12-M22	12	M22x1.5	27	30	31.7	28.5	10.5

