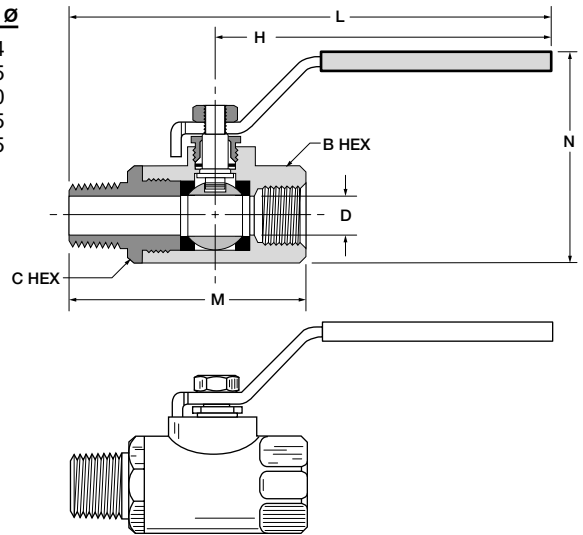


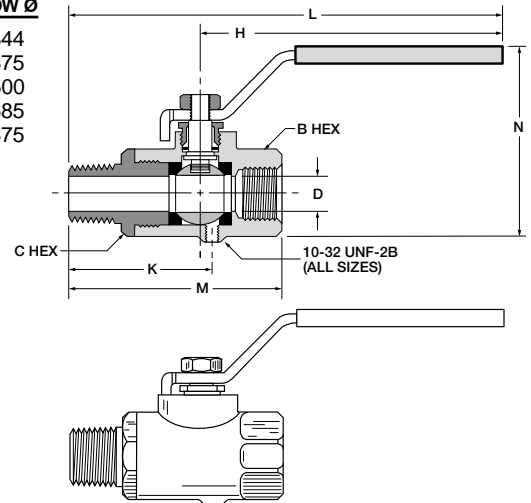
Male-Female Pipe Ends XV501P

| PART NO. | PIPE THREAD | B HEX | C HEX | H | L | M | N | D FLOW Ø |
|-----------|-------------|--------|--------|------|------|------|------|----------|
| XV501P-4 | 1/4 | 15/16 | 15/16 | 3.96 | 5.46 | 2.59 | 2.47 | .344 |
| XV501P-6 | 3/8 | 15/16 | 15/16 | 3.96 | 5.46 | 2.59 | 2.47 | .375 |
| XV501P-8 | 1/2* | 1-1/16 | 1-1/16 | 3.96 | 5.75 | 2.94 | 2.58 | .500 |
| XV501P-12 | 3/4** | 1-1/4 | 1-5/16 | 3.96 | 5.83 | 3.00 | 2.81 | .685 |
| XV501P-16 | 1** | 1-1/2 | 1-9/16 | 3.96 | 6.19 | 3.60 | 3.08 | .875 |



Vented, Male-Female Pipe Ends XVV501P

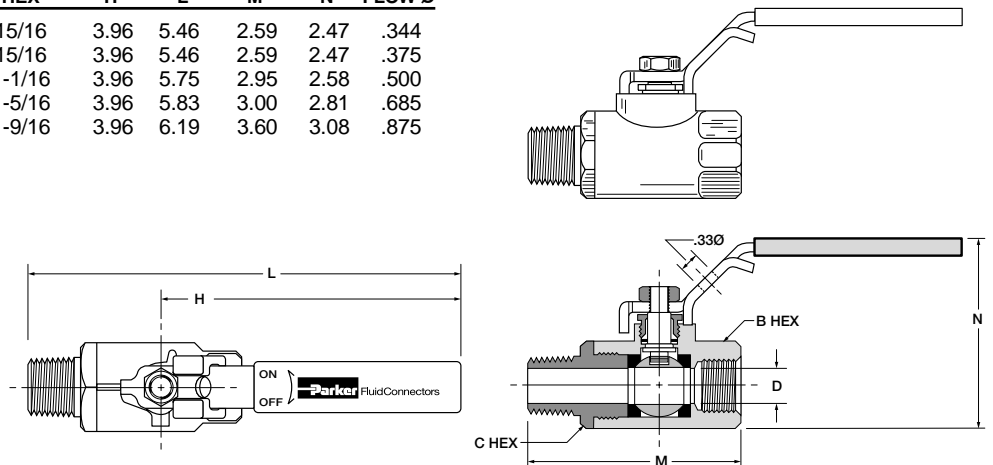
| PART NO. | PIPE THREAD | B HEX | C HEX | K | H | L | M | N | D FLOW Ø |
|------------|-------------|--------|--------|------|------|------|------|------|----------|
| XVV501P-4 | 1/4 | 15/16 | 15/16 | 1.67 | 3.96 | 5.46 | 2.59 | 2.47 | .344 |
| XVV501P-6 | 3/8 | 15/16 | 15/16 | 1.67 | 3.96 | 5.46 | 2.59 | 2.47 | .375 |
| XVV501P-8 | 1/2* | 1-1/16 | 1-1/16 | 1.98 | 3.96 | 5.75 | 2.95 | 2.58 | .500 |
| XVV501P-12 | 3/4** | 1-1/4 | 1-5/16 | 2.03 | 3.96 | 5.83 | 3.00 | 2.81 | .685 |
| XVV501P-16 | 1** | 1-1/2 | 1-9/16 | 2.43 | 3.96 | 6.19 | 3.60 | 3.08 | .875 |



Locking Handle, Male-Female Pipe Ends XVP501P

| PART NO. | PIPE THREAD | B HEX | C HEX | H | L | M | N | D FLOW Ø |
|------------|-------------|--------|--------|------|------|------|------|----------|
| XVP501P-4 | 1/4 | 15/16 | 15/16 | 3.96 | 5.46 | 2.59 | 2.47 | .344 |
| XVP501P-6 | 3/8 | 15/16 | 15/16 | 3.96 | 5.46 | 2.59 | 2.47 | .375 |
| XVP501P-8 | 1/2* | 1-1/16 | 1-1/16 | 3.96 | 5.75 | 2.95 | 2.58 | .500 |
| XVP501P-12 | 3/4** | 1-1/4 | 1-5/16 | 3.96 | 5.83 | 3.00 | 2.81 | .685 |
| XVP501P-16 | 1** | 1-1/2 | 1-9/16 | 3.96 | 6.19 | 3.60 | 3.08 | .875 |

For use with 5/16" Ø shank lock



*PTF special short. **PTF special extra short

