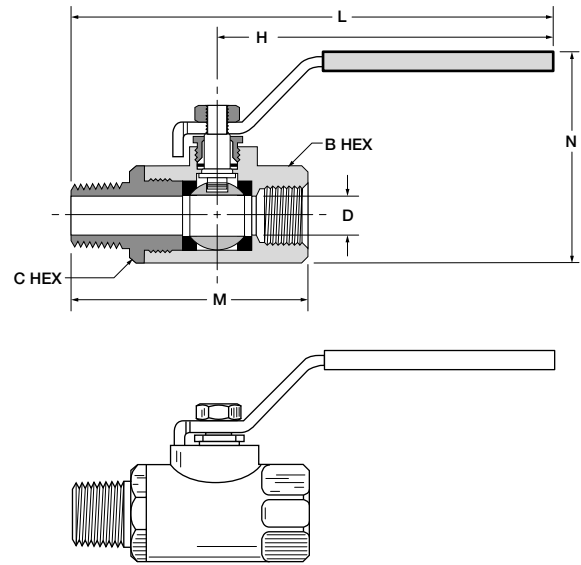


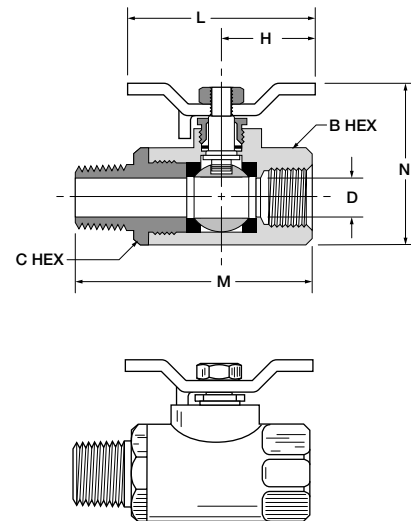
**UL Listed, Male-Female Pipe Ends XV501PUL**

PART NO.	PIPE THREAD [PTF]	B HEX	C HEX	H	L	M	N	FLOW DIA.D
XV501PUL-4	1/4	15/16	15/16	3.96	5.46	2.59	2.47	.344
XV501PUL-6	3/8	15/16	15/16	3.96	5.46	2.59	2.47	.375
XV501PUL-8	1/2*	1 1/16	1 1/16	3.96	5.75	2.94	2.58	.500
XV501PUL-12	3/4**	1 1/4	1 5/16	3.96	5.83	3.00	2.81	.685
XV501PUL-16	1**	1 1/2	1 9/16	3.96	6.19	3.60	3.08	.875



**UL Listed, Tee Handle, Male-Female Pipe Ends XV501PUL-X-04**

PART NO.	PIPE THREAD [PTF]	B HEX	C HEX	H	L	M	N	FLOW DIA.D
XV501PUL-4-04	1/4	15/16	15/16	1.25	2.50	2.59	1.87	.344
XV501PUL-6-04	3/8	15/16	15/16	1.25	2.50	2.59	1.87	.375
XV501PUL-8-04	1/2*	1 1/16	1 1/16	1.25	2.50	2.94	1.98	.500
XV501PUL-12-04	3/4**	1 1/4	1 5/16	1.25	2.50	3.00	2.20	.685
XV501PUL-16-04	1**	1 1/2	1 9/16	1.25	2.50	3.60	2.48	.875



**J**

\*PTF special short. \*\*PTF special extra short