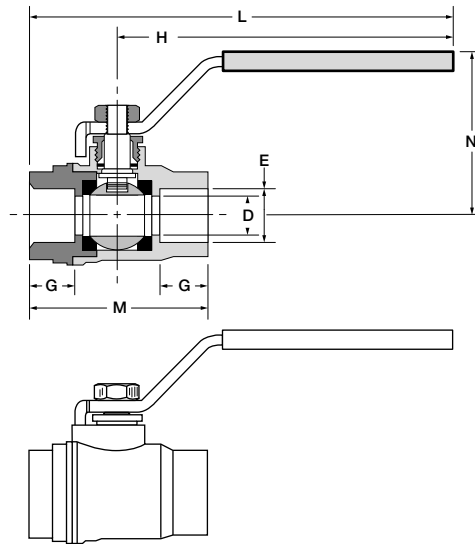


Solder Cup Ends XV509P

PART NO.	TUBE SIZE	E	G	H	L	M	N	FLOW DIA. D
XV509P-8	1/2	0.629	0.49	3.94	5.06	2.07	1.65	0.39
XV509P-12	3/4	0.880	0.75	3.94	5.25	2.64	1.73	0.59
XV509P-16	1	1.130	0.91	4.72	6.35	3.27	2.09	0.79
XV509P-20	1-1/4	1.380	0.96	4.72	6.59	3.74	2.24	0.98
XV509P-24	1-1/2	1.630	1.10	6.22	8.43	4.41	3.03	1.26
XV509P-32	2	2.130	1.34	6.22	8.90	5.37	3.29	1.57



J