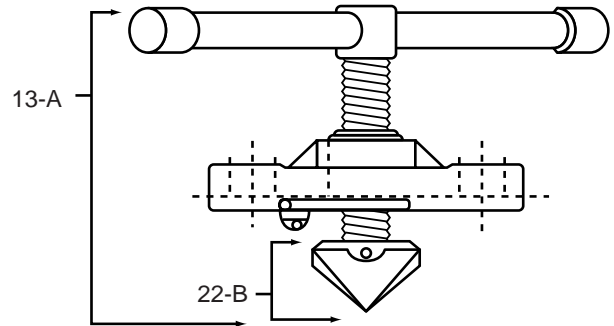
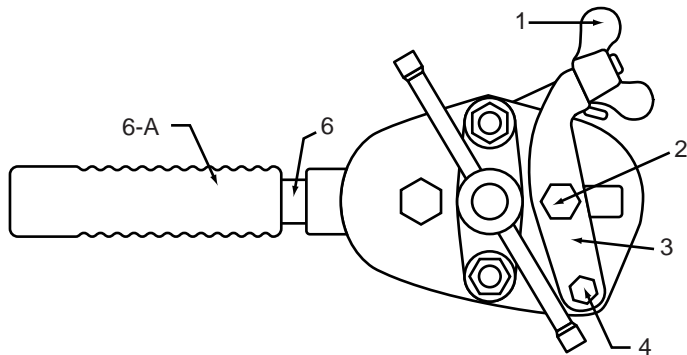
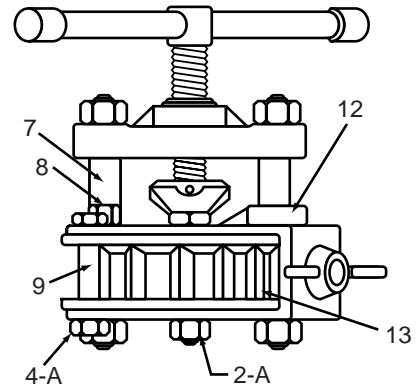


Rolo-Flair® Repair Parts

We do not repair the flaring tool-however, we do offer repair parts-stock available in Otsego, Michigan, only.

Rolo-Flair® for 45° Flare 945TH-BPD

DRAWING ITEM NUMBER	PARKER PART NUMBER	PART DESCRIPTION	NUMBER PIECES REQUIRED
1	642685	Wing Nut	1
2	642694	Hex Bolt	1
2-A	642696	Jam Nut	1
3	642759	Clamping Yoke	1
4	642693	Hex Head Bolt (1/4-28-7/16 Head)	1
4-A	642698	Jam Nut	1
6	642764	Handle	1
6-A	642716	Handle Grip	1
7	642689	Spacer	2
8	642681	Hex Stud	2
9	2603-00006	Spacer	1
12	2600-03001	Top Plate	1
13	2600-03004	Flaring Die Sub-Assy.	1
13-A	2600-03002A	Cross Yoke Sub-Assy.	1
22-B	642680	Burnishing Cone	1



K