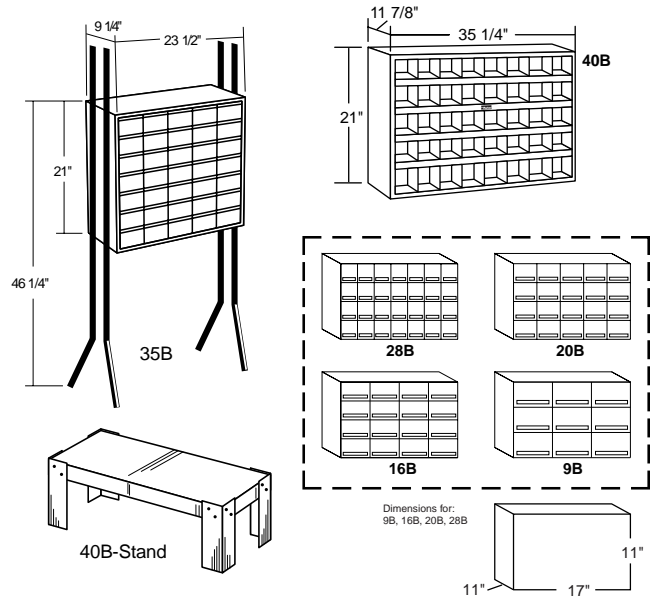


Bins/Cabinets

Compact, expandable, point-of-purchase display with drawers, Part No. 35B is suitable for production or maintenance inventory.

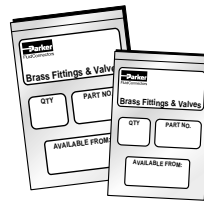
PART NO.	DESCRIPTION
9B	9 drawer cabinet
16B	16 drawer cabinet
20B	20 drawer cabinet
28B	28 drawer cabinet
35B	35 drawer cabinet
35BCL	Legs for 35B cabinet
35BCD-KIT	10 replacement drawers with 20 dividers
35BCD-DIVIDERS	Dividers only
40B	Cabinet stock bin
40B-Stand	Parker Brass Products Base Stand for 40B Cabinets. Stands are 12" high and designed for use with 40B Cabinets. Each Stand includes a 15 piece bolt and nut set package for assembly.



Clear Plastic Shipping Bags PSB

Reusable, clear polyethylene, zip-lock style bags with panels for marking part number, quantity, and availability information. Features easy visual part identification. Ideal for custom packaging of less than box quantities.

PART NO.	SIZE
4X6PSB	4" x 6"
6X8PSB	6" x 8"



Bin Labels

Self adhesive Bin Labels for identifying Brass Fittings and valves stored in cabinets and bins. Ideal for use with Parker cabinets 40B and 35B. General line set includes all product lines, or labels can be ordered by individual product lines.

PRODUCT LINE	PART NO.	PRODUCT LINE	PART NO.
General Line	3501-B1	Vibra-Lok	3501-B9
45° Flared	3501-B2	Prestolok	3501-B10
Inv. Flared	3501-B3	Dubl-Barb	3501-B11
Compression	3501-B4	NTA	3501-B12
Pipe	3501-B5	Compress-Align	3501-B13
Garden Hose/Hose Barb	3501-B6	Poly-Tite	3501-B14
Valves (Ball/Plug/Needle/Truck)	3501-B7	Prestomatic	3501-B18
Air Brake Fittings/Hose Ends	3501-B8	Euro Brass Fittings & Valves	3550-B1



Copper Tubing

Copper tubing meets A.S.T.M. specification B-280 (copper tube for refrigeration field service)

PART NO.	TUBE O.D.	TUBE I.D.	WALL THICKNESS	FEET PER COIL
X50CT-2-30	1/8	.065	.030	50
X50CT-3-30	3/16	.128	.030	50
X50CT-4-30	1/4	.190	.030	50
X50CT-5-32	5/16	.249	.032	50
X50CT-6-32	3/8	.311	.032	50
X50CT-8-32	1/2	.436	.032	50

