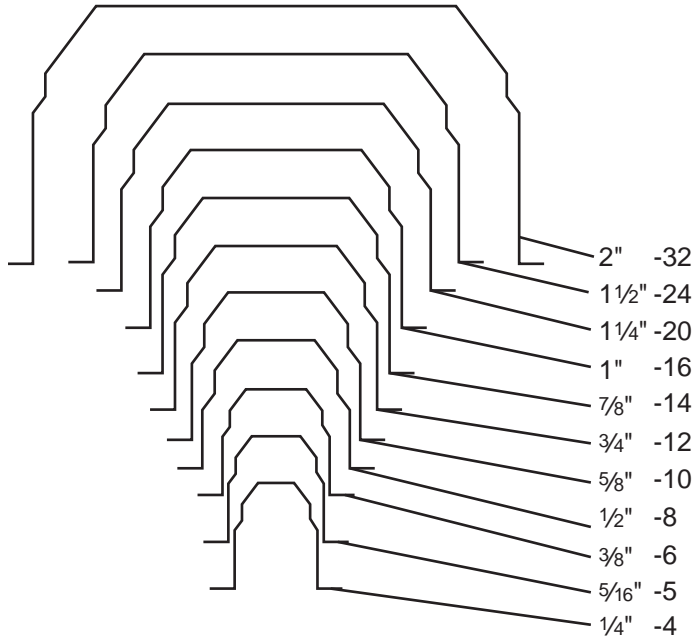


Flare and Thread Profiles

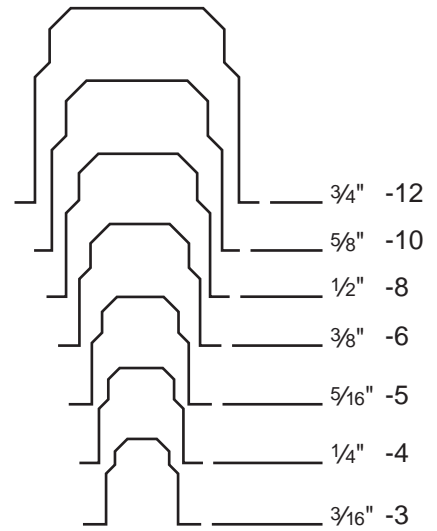
SAE (JIC) 37° Flare Nose Sizes

Actual Size

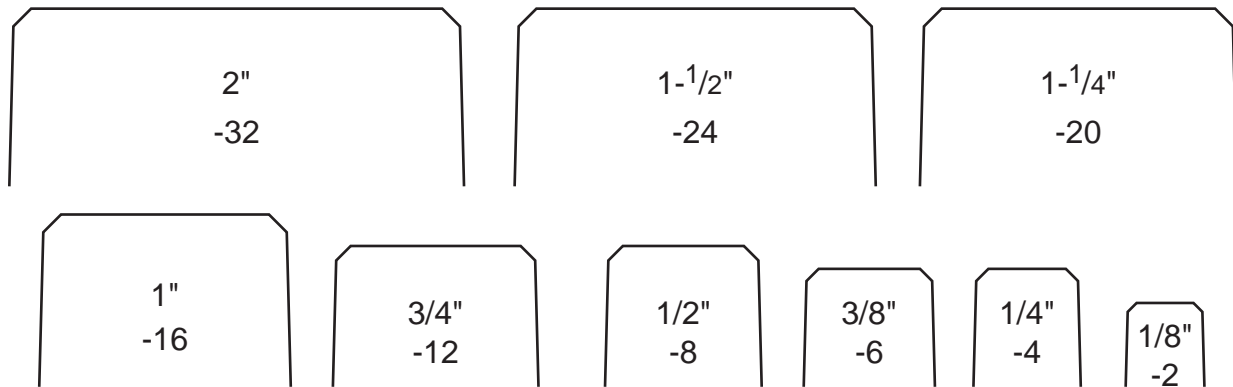


SAE 45° Flare Nose Sizes

Actual Size



Male Pipe Thread Sizes



Actual Outside Diameters of Tubing

