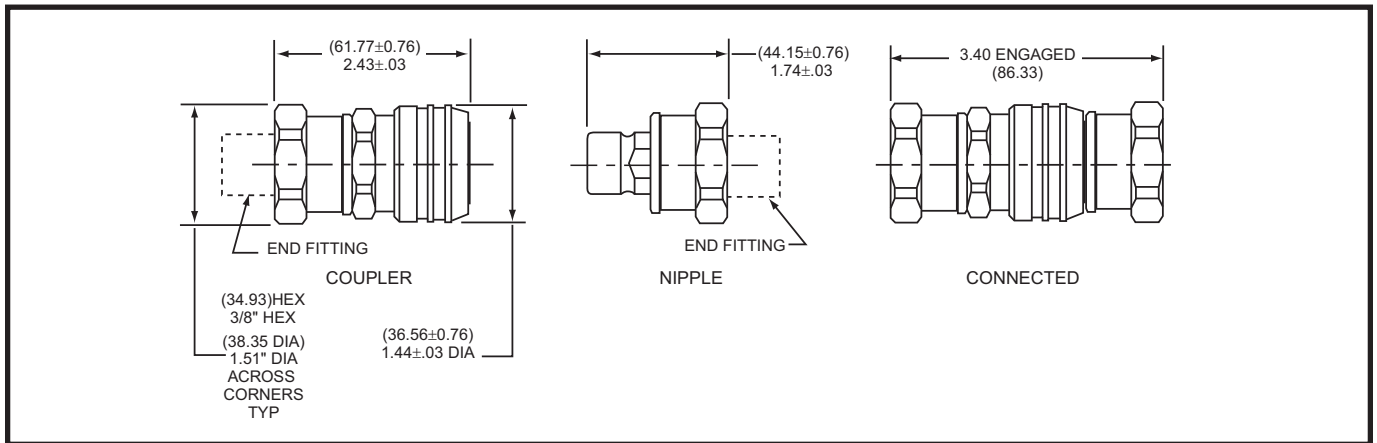
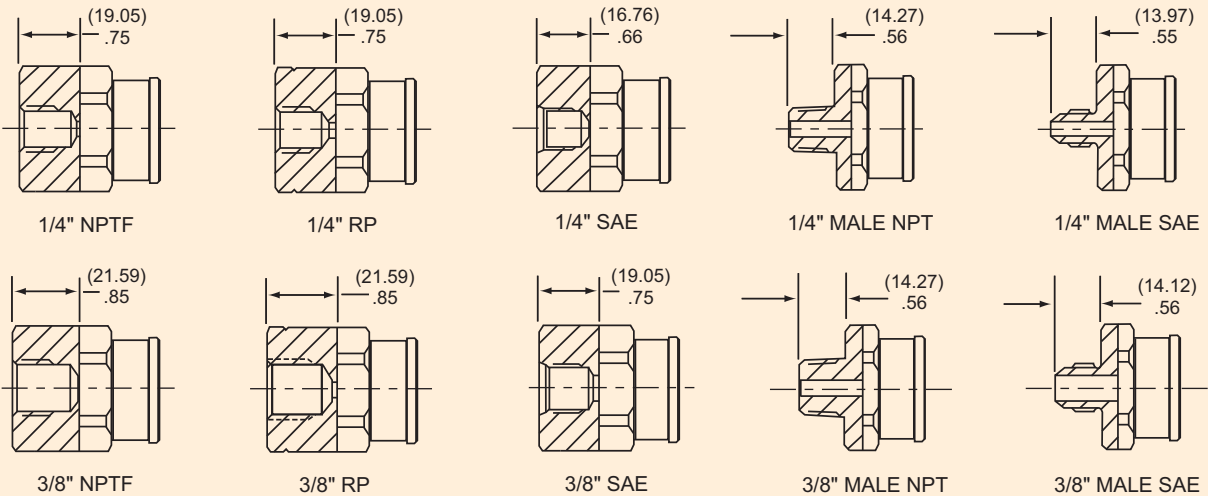


TECHNICAL AND DIMENSIONAL INFORMATION

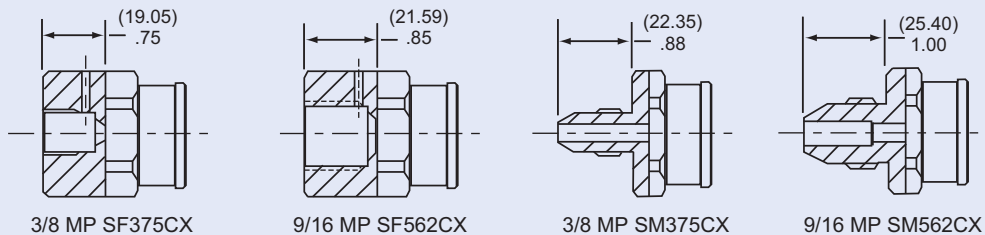


AVAILABLE END FITTINGS

Pressures to 10,000 psi (689 bar)



Pressures to 20,000 psi (1379 bar)



Pressures to 36,000 psi (2482 bar)*
 *SST to 20,000 psi (1379 bar)

