

**Certification: AGA 7-93**

**Working Pressure:** 3600 psi (248 bar)

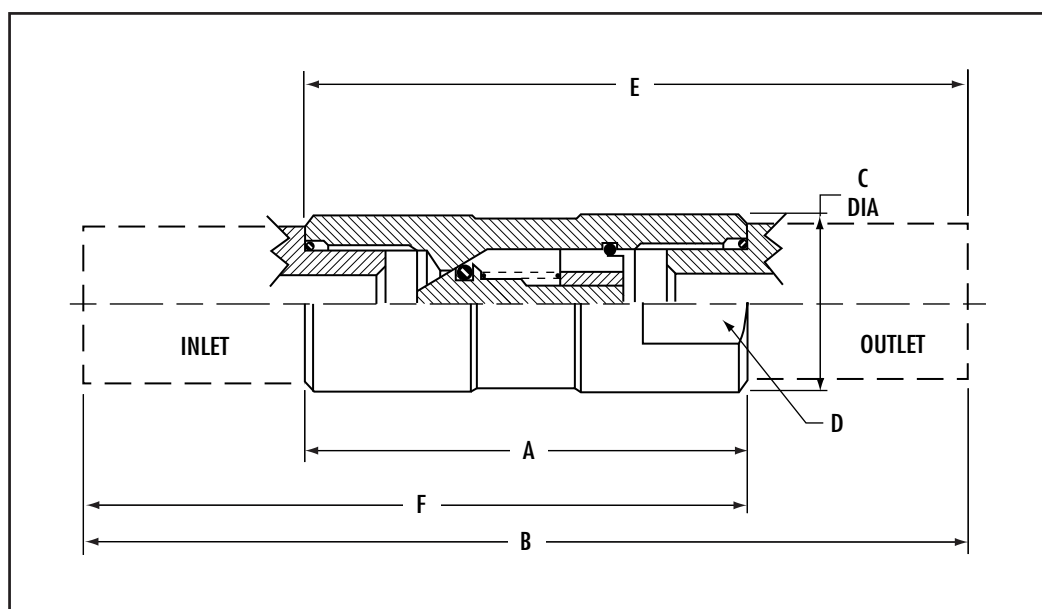
**Burst Pressure:** 25,000 psi (1724 bar)

**Temperature Range:** -40°F (-40°C) to 250°F (121°C)

**Weight:** .235 lbs (0.107 kgs)

**Flow Rate:** 2090 SCFM (3551 Nm<sup>3</sup>/hr)

**Material:** 316 Stainless Steel



PART NUMBER	A	B	C	D FLATS	E	F
NGCV6EF-EF	2.14 (54.40)		.86 (21.80)	3/4 (19.10)		
NGCV4A-4A	2.14 (54.40)	4.14 (105.20)	.86 (21.80)	3/4 (19.10)		
NGCV6A-6A	2.14 (54.40)	4.29 (108.10)	.86 (21.80)	3/4 (19.10)		
NGCV6EF-4A	2.14 (54.40)		.86 (21.80)	3/4 (19.10)	3.14 (79.80)	
NGCV6EF-6A	2.14 (54.40)		.86 (21.80)	3/4 (19.10)	3.22 (81.80)	
NGCV6MOS-EF	2.14 (54.40)		.86 (21.80)	3/4 (19.10)		2.81 (71.40)

See Page 16 (How to Order)

in (mm)