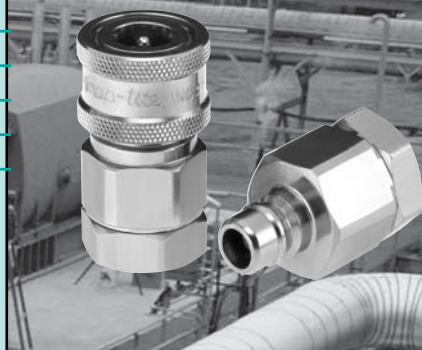


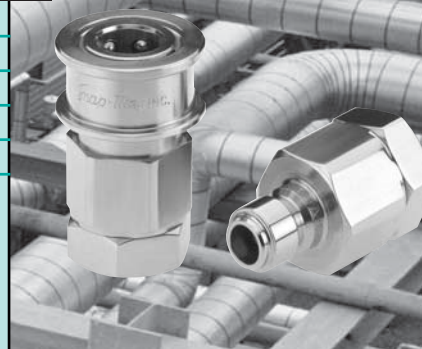
Poppet Style, General Purpose Couplings - **H Series**

Style	Double, Single Shut-off or Straight-Through combination
ISO Interchange	None
Max. Working Pressure	10,000 psi (690 bar)
Sizes Available	1/4" through 6" nominal diameter
Material	316 Stainless Steel, Aluminum, or ⁽¹⁾ Exotic Alloy
Features	<ul style="list-style-type: none"> • Optional Break-away design available • Two-piece construction expands end fitting selection • Smooth jet stream valve design lowers pressure drop • Wide variety of specialty seal options available • Sleeve-lock option prevents accidental disconnection



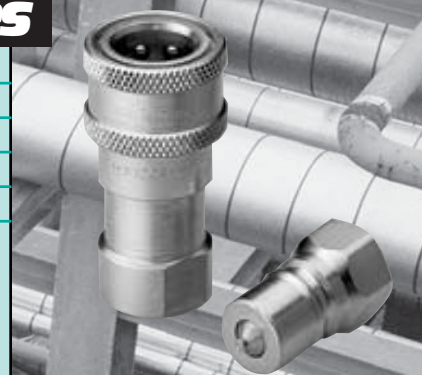
Poppet Style, Vacuum and Steam Couplings - **E-EA Series**

Style	Double, Single Shut-off or Straight-Through combination
ISO Interchange	None
Max. Working Pressure	3,000 psi (207 bar)
Sizes Available	1/4" through 4" nominal diameter
Material	316 Stainless Steel, Aluminum, or ⁽¹⁾ Exotic Alloy
Features	<ul style="list-style-type: none"> • Designed for hard vacuums down to 29.72" Hg • Excellent high temperature sealing • Two-piece construction expands end fitting selection • Wide variety of specialty seal options available • Sleeve-lock option prevents accidental disconnection



Poppet Style, ISO-B Interchange Couplings - **72 Series**

Style	Double Shut-off or Straight-Through combination
ISO Interchange	ISO 7241-1 Series B (ISO B)
Max. Working Pressure	5,500 psi (380 bar)
Sizes Available	1/8" through 1" nominal diameter
Material	303 or 316 Stainless Steel or ⁽¹⁾ Exotic Alloy
Features	<ul style="list-style-type: none"> • Meets or exceeds ISO 7241-1 Series B standards • Proven ball-lock mechanism for positive connection • Wide variety of specialty seal options available • Sleeve-lock option prevents accidental disconnection



Poppet Style, Thread-to-Connect Couplings - **75 Series**

Style	Double Shut-off or Straight-Through combination
ISO Interchange	None
Max. Working Pressure	1,650 psi (114 bar)
Sizes Available	3/4" through 4" nominal diameter
Material	316 Stainless Steel or ⁽¹⁾ Exotic Alloy
Features	<ul style="list-style-type: none"> • High flow chemical transfer coupling • Acme thread-to-connect design for heavy duty service • Connects under static pressure up to 1,650 psi/114 bar • Low pressure drop keeps flow rates high



(1) Specialty wetted metal parts such as Inconel, Hastelloy™, and others can be made available. Please consult factory.