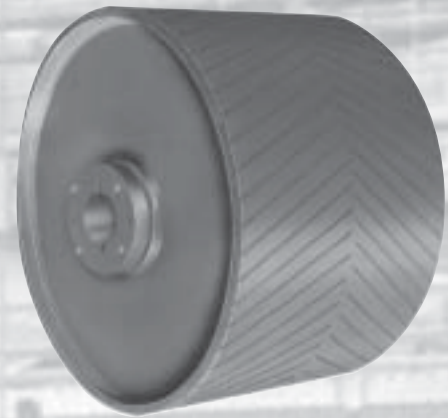
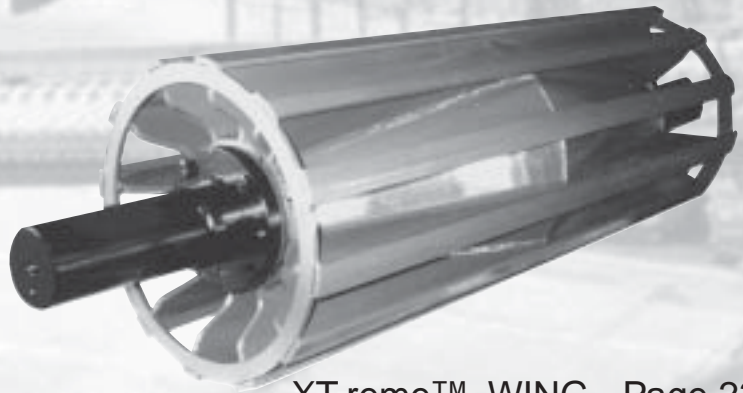


XT®

Van Gorp® Pulleys are available with XT®, Tapered Bore or Q-D® Hubs on all catalog size and special or engineered pulleys.



MINE DUTY - Page 12



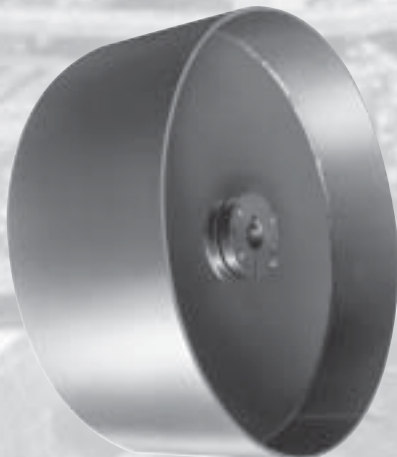
XT-reme™ WING - Page 23



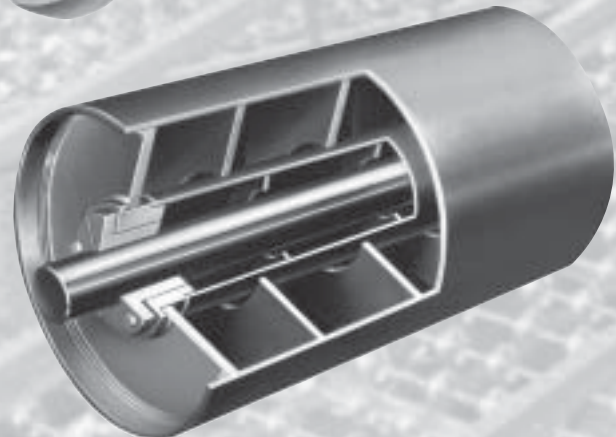
SNAP-BACK® - Page 27



SPIRAL DRUM - Page 25



ELEVATOR - Page 16



DOUBLE DRUM™ - Page 14