

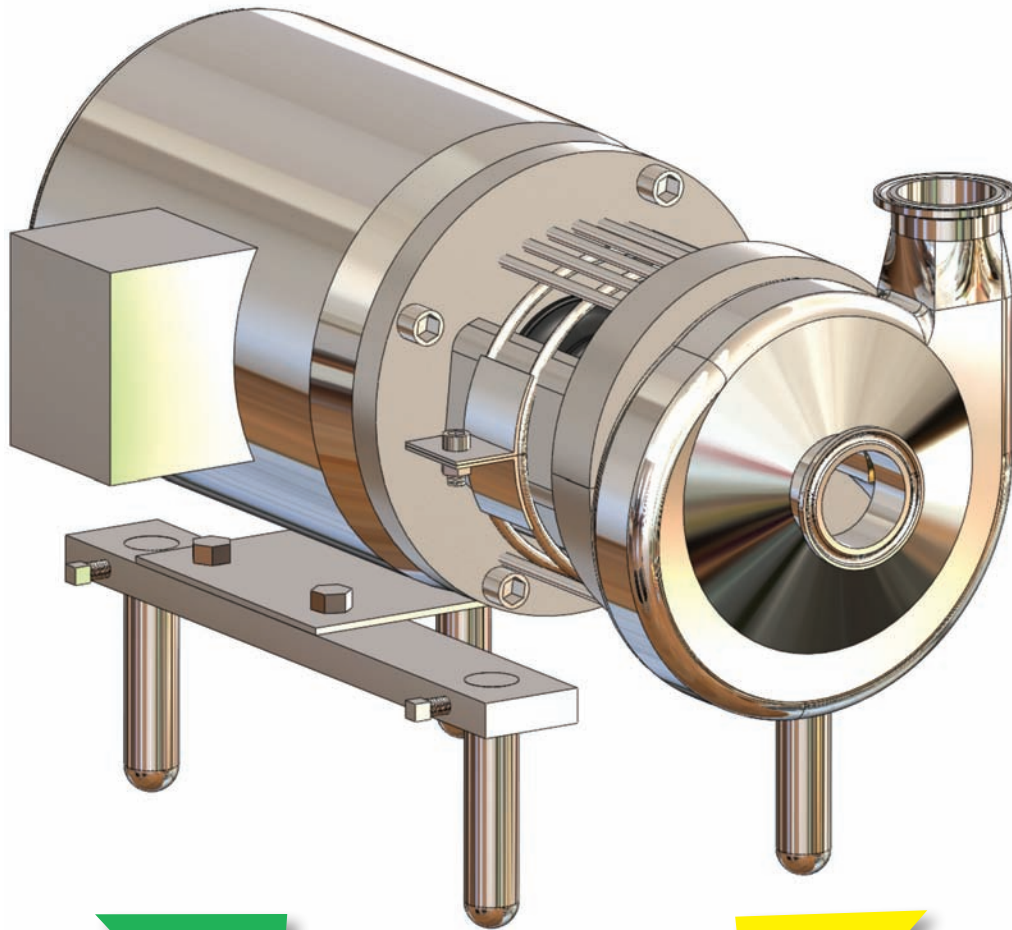


The Right Connection™



Dixon Sanitary
Bradford™ Centrifugal Pumps
BC-Series

They All Point To:



* for in stock pumps

Bradford™ BC-Series Sanitary Centrifugal Pump



Beverage



Dairy



Oils



Water



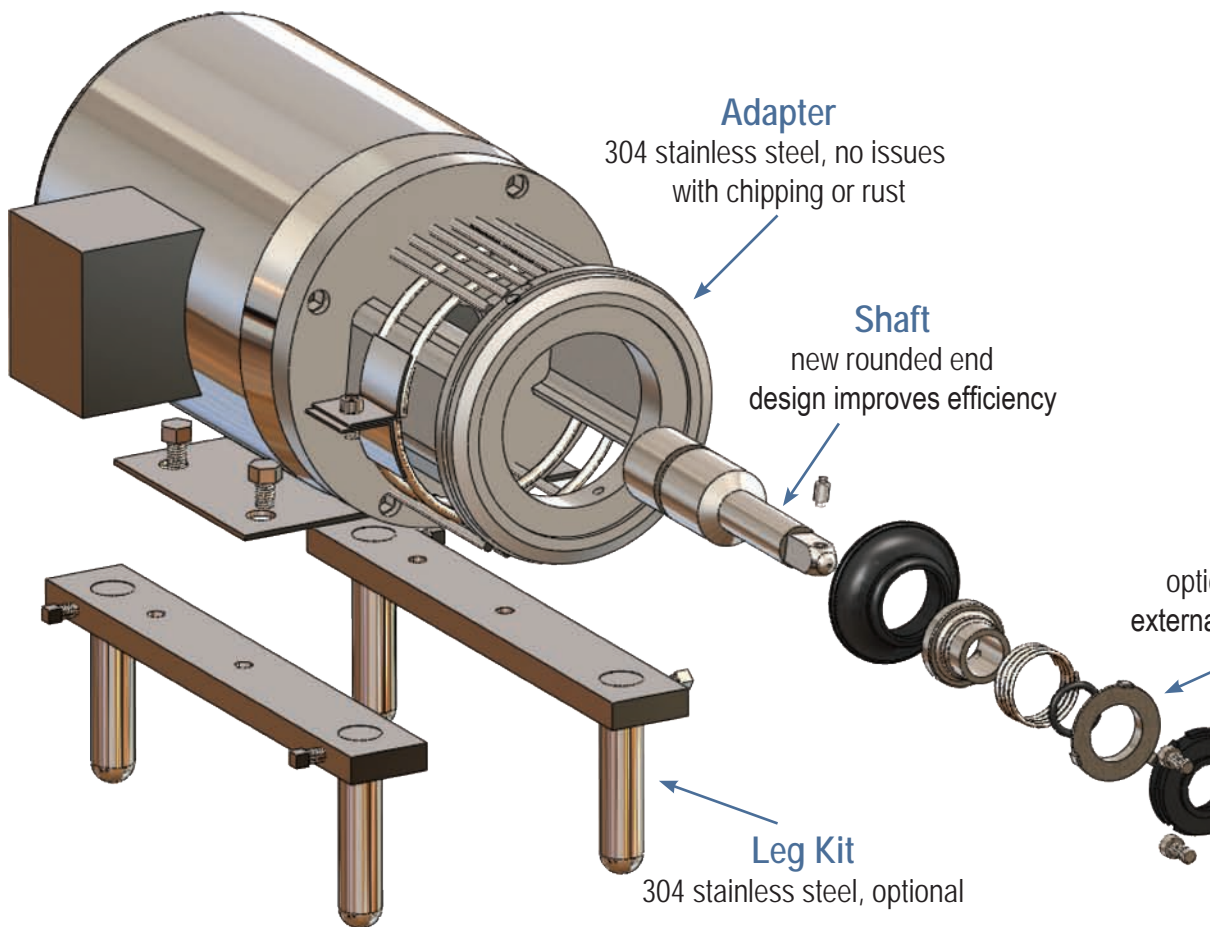
Vinegar



Cosmetics



CIP Solutions

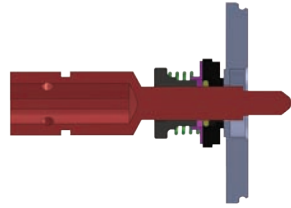


Model	Inlet	Outlet	Maximum Impeller
BC114	1½" or 2"	1½"	4"
BC216	2" or 2½"	1½"	6"
BC218	2" or 3"	1½"	8"
BC328	3" or 4"	2"	8"

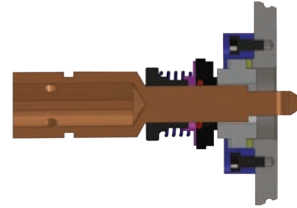
Testing:

- All assembled pumps are hydrostatically tested.
- Certified performance curves are available.

Seal Options

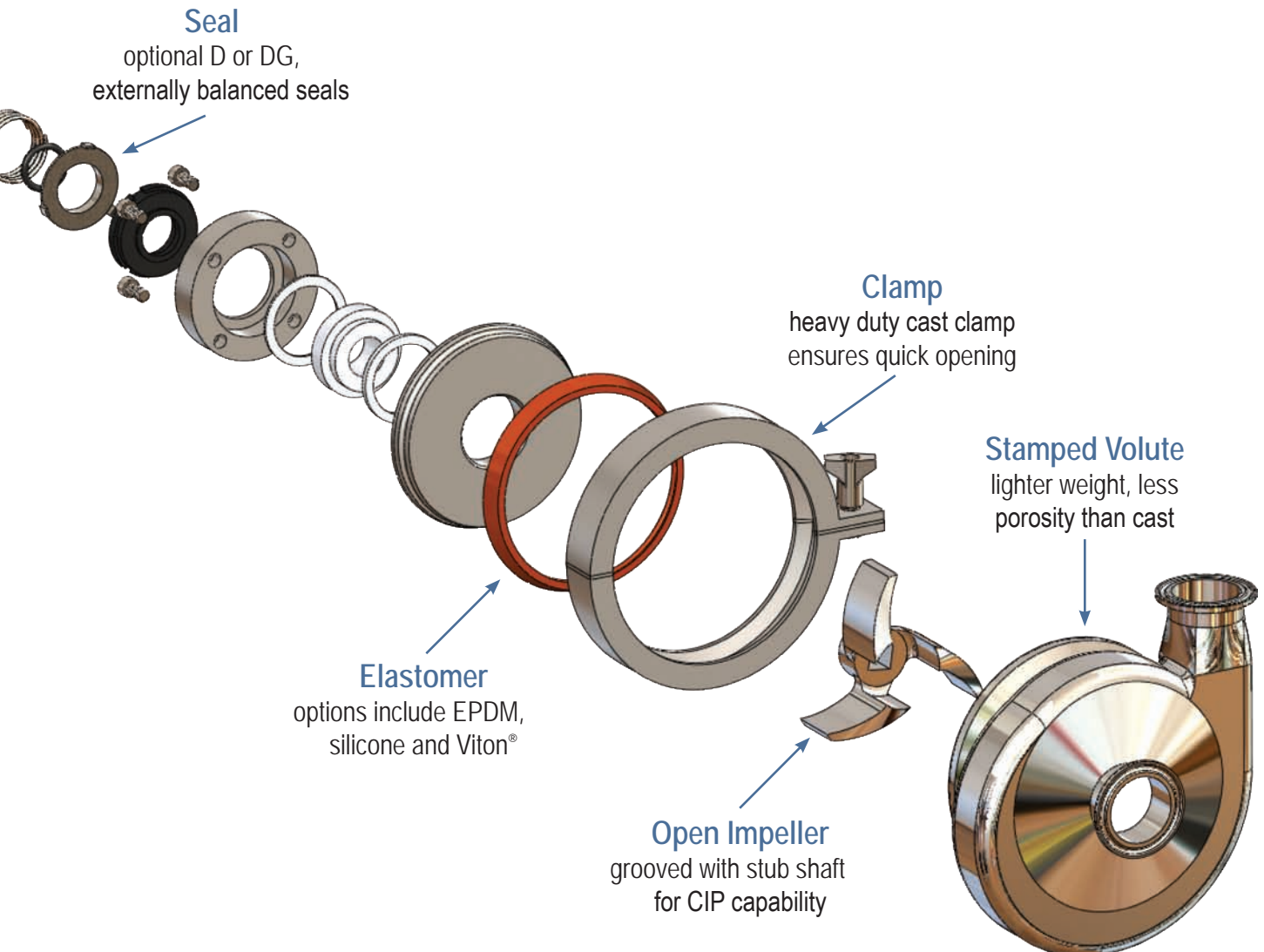


D External Balanced Seal - carbon rotating element on stationary stainless steel. Suitable for sanitary and industrial applications where fluid is non-abrasive and lubricating.



DG Clamped-In Seal - choose from ceramic, silicon carbide and tungsten carbide as the stationary seal. The DG seal is suitable for the majority of sanitary applications, including those using non-lubricating and abrasive fluids.

ncy



Mechanical Specifications

Standard Construction

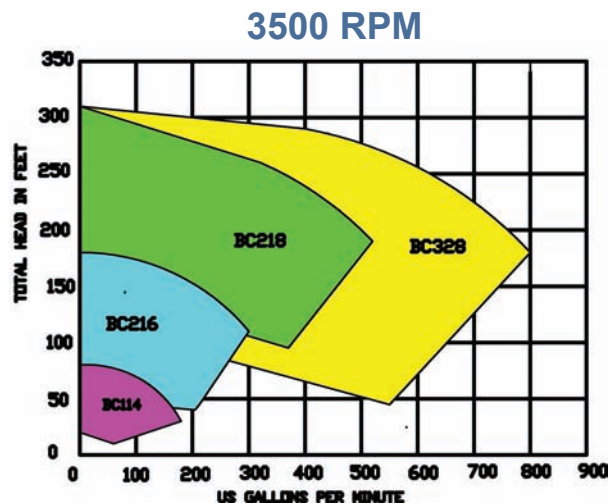
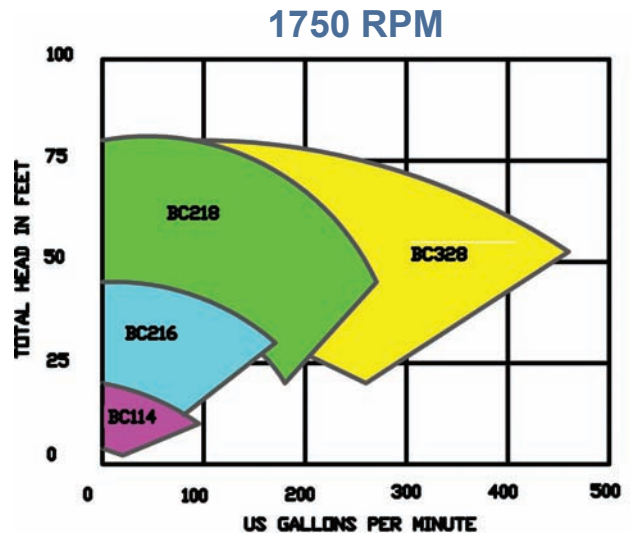
- Volute: 316L stainless steel
- Impeller: CF8M (316) stainless steel
- Backplate: 316L stainless steel
- Stub Shaft: 316L stainless steel
- Adapter: 304 stainless steel
- Optional Leg Kit: 304 stainless steel
- Seal Types: externally balanced 'D' & 'DG' with clamped in seat
- Rotary Seal Material: carbon
- DG Seal Seat Material: silicon carbide, ceramic and tungsten carbide
- Elastomers: EPDM, silicone and Viton®
- Finish: sanitary polish 32RA

Performance Characteristics

- Nominal Capacity: up to 780 GPM
- Temperature: 32°F to 212°F, consult factory for other temperatures
- Nominal speed: up to 3500 RPM - 60 Hz

Motors and Mounting

- Motor: standard C-face, 1750 & 3450 RPM, TEFC and washdown, foot mounted
- Additional motor types available upon request
- Mounting: pump head mounted to a C-Face motor



Dixon Sanitary

N25 W23040 Paul Road
Pewaukee, WI 53072

For further information on the BC-Series pumps, please contact the factory.

Customer Service: 800.789.1718

262.513.6900

Customer Service Fax: 800.789.4046

262.513.4904

Email: pumps@bradfordittings.com

www.bradfordittings.com



The Right Connection™

Through its divisions and affiliated companies, Dixon is recognized as the premier manufacturer and supplier of hose fittings and accessories spanning a wide range of industrial uses. Dixon's reach includes products for fire protection, food, dairy processing, beverage and brewery, mobile tankers, mining, construction, chemical processing, petroleum, oilfields, refining and manufacturing.