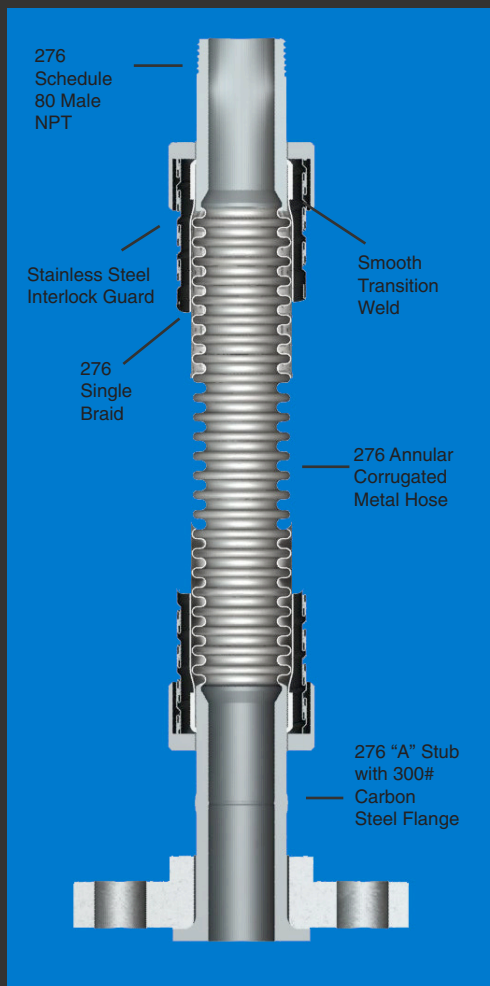
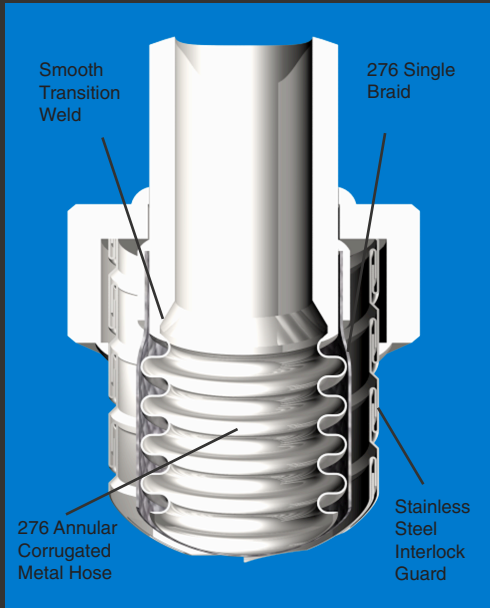


Product Focus



ChlorSafe™

The Ultimate Chlorine Transfer Hose

Hose Master Inc. is revolutionizing the metal hose industry with the safest chlorine transfer hose assemblies available. ChlorSafe™ has been engineered specifically to meet the stringent demands of this application. When designing a chlorine transfer hose, Hose Master not only considered the effects of dry chlorine, but also considered what happens when moisture combines with dry chlorine to form hydrochloric acid. Hose Master's ChlorSafe™ assemblies are manufactured in compliance with the Chlorine Institute Pamphlet 6, Appendix A, latest edition and offer several distinct advantages over existing products.

ChlorSafe™ Features

- Hose Master's unique Hydroforming process reduces residual stress and produces the most flexible chlorine transfer hose available
- ChlorSafe's™ all metal construction makes it fire resistant
- Proprietary welding techniques provide a smooth transition from hose to fitting with no gaps or crevices to entrap contaminants
- All welds are argon-purged to eliminate oxidation

ChlorSafe™ Specifications

- All wetted surfaces and the braid are made from UNS N10276 (referred to as either C276 or 276 alloy) that has the highest chemical resistance rating for both dry and wet chlorine¹
- Every assembly is helium mass spectrometer leak tested to at least 5.0×10^{-6} std cc/sec.
- Each assembly is covered by a stainless steel interlocked metal hose for maximum durability
- All assemblies strength tested to twice maximum allowable working pressure

¹ Kenneth M. Pruett, *Chemical Resistance Guide for Metals and Alloys: A Guide to Chemical Resistance of Metals and Alloys* (Derby: Compass Publications, 1995), 93.

ChlorSafe™ Applications

- Ideally suited for wet or dry chlorine



HOSE MASTER Inc.

1233 East 222nd Street • Cleveland, Ohio 44117
(800) 221-2319 • Fax: (216) 481-7557 • www.hosemaster.com
Locations: **Cleveland • Houston**

ISO 9001 : 2000
Registered Quality System



ChlorSafe™ Product Specifications

ChlorSafe™ Part Numbers AF 6720 - (Single Braid) • AF 6722 - (Double Braid)					
Inside Diameter (in.)	Number of Braids (#)	Outside Diameter (in.)	Minimum Dynamic Bend Radius (in.)	Maximum Working Pressure* (psi)	Minimum Burst Pressure (psi)
1/2	1	.83	8	500	2500
	2	.89			
3/4	1	1.22	9	375	1875
	2	1.28			
1	1	1.53	10	375	1875
	2	1.59			
1 1/2	1	2.16	11	375	1875
	2	2.24			
2	1	2.69	13	375	1875
	2	2.77			

Per Chlorine Institute specifications, pressure ratings represent a 5:1 safety factor

* For pressures in excess of Chlorine Institute Standards, please consult the factory

ChlorSafe™ Product Documentation

Hose Master Inc. maintains production documentation for seven years, including:

- Welder Training
- Fabrication
- Testing
- Inspection
- Positive Material Identification
- Burst Test Conformance

ChlorSafe™ Product Identification

All ChlorSafe™ assemblies are etched with:

- Unique Serial Number
- Company Name
- Date of Fabrication
- Minimum Bend Radius
- Compliance with Chlorine Institute Pamphlet 6, Appendix A

ChlorSafe™ Fittings

ChlorSafe™ assemblies are available in three different configurations:

- 276 alloy Schedule 80 Male NPT x 276 alloy Schedule 80 Male NPT
- 276 alloy Schedule 80 Male NPT x 276 alloy "A" Stub with a 300# Carbon Steel Lap Joint Flange (Floating)
- 276 alloy "A" Stub with a Carbon Steel 300# Lap Joint Flange (Floating) x 276 alloy "A" Stub with a Carbon Steel 300# Lap Joint Flange (Floating)



HOSE MASTER Inc.

1233 East 222nd Street • Cleveland, Ohio 44117
(800) 221-2319 • Fax: (216) 481-7557 • www.hosemaster.com

Locations: **Cleveland • Houston**

ISO 9001 : 2000
Registered Quality System

