



The Right Connection™



Dixon Bayco Petroleum Products

GOODYEAR
RUBBER PRODUCTS INC.

Call Toll Free: **1-866-711-4673**

WebSales@GoodyearRubberProducts.com

We Ship
World Wide

007

WE COMMIT

- To ensure that internal and external customer needs are identified and that our products and services meet these needs.
- To fully meet and exceed the requirements of the ISO 9001 Quality Program.
- To strive for quality in each and every phase of our business.
- To exceed competitor's quality.
- To provide systems and training for all Dixon employees.
- To create an environment that will allow each employee to do it right the first time, and accept the responsibility for quality in each and every task they perform.
- That no employee will ever be called on to do anything morally, legally or ethically wrong.

PRODUCT CHANGES and CORRECTIONS

Dixon has gone to considerable effort to assure the accuracy of the information provided. Please report any irregularities found for clarification or correction. Dixon does reserve the right to modify or change product specification or to withdraw product offerings at any time without prior notice.

Table of Contents

API Valves	6	FloTech Overfill Detection Products	23
API Dust Caps	6	Nozzles	24-25
Gravity Drop Adapters	7	Automatic shut-off	24
One Piece Body	7	Pressure, for bulk delivery	24
Two Piece Body with Sight Glass	7	Overwing aircraft	24
Tank Truck Gaskets	7	Large capacity low pressure / gravity	24
Drop Elbows and Accessories	8-11	Ball, for bulk delivery	25
4" Drop Elbows	8	Swivel nut adapters	25
Elbow Options	8	Standard Utility	25
Elbow Inlets	8	Hose Swivels	26
Self-locking drop elbow	9	Standard	26
Coaxial Elbows	10	Hose shank	26
Straight Drop Fittings	10	Check valve	26
Side Seal Drop Elbows	10	Check Valves	27
Side Seal Adapter	11	Standard	27
Anti-Spill Sleeves	11	Union	27
Elbow Extension Kits	11	Angle Valves	27
Anti-Spill Safety Latch Kit	11	Above Ground Petroleum Tank Accessories	28-29
Vapor Recovery Products	12-15	Locking fill caps and collars	28
Vapor Elbows	12	Automatic pressure / vacuum relief cap	28
Vapor Valves	12	Standard vent cap	28
Vapor Hose Couplers	13	Station vents	29
Sequential Vents	13	Suction deflector	29
Vent Hood	13	Twin lever fill cap	29
Vent Caps	14	Single action fill cap	29
Inbreathing Vents	14	Vapor cap	29
Outbreathing Vents	14	Underground tank collars	29
Air Interlocks	15	D.O.T	30-31
Faucets Systems	16	Push-in fittings	30-31
Faucet Outlets	16	Air brake tubing rolls	31
Tank Truck Flanged Sight Flow Indicators	17	Combination Nipples	32
TTMA Flanged Adapters	17	Adapter Nipples	32
Dry Disconnect	18-19	Short hex style	32
Cam and Groove style	18-19	Long pipe style	32
BA series	18	Victaulic x weld	32
BC series	19	Quick Release Couplings	33
Bayonet style	19	Lightweight Flexible Couplings	33
Tanker Accessories	20-23	API Certified Petroleum	34
Aluminum TTMA Weldable Flanges	20	Permanently attached couplings	34
Aluminum TTMA Butterfly Spacer	20	Ferrules	34
API Flanged Outlets with Sight Glass	20	Swivels	35
Aluminum TTMA Reducing Flange	20	Cam and Groove Couplings	36-37
TTMA dimensions	20	Adapters x round tank truck flange	37
Tube Door	21	Couplers x round tank truck flange	37
Ladder Step	21	Flanged Gaskets	37
Dummy Adapter	21	Adapters with straight pipe thread	37
Pipe Cap	21	Couplers with straight pipe thread	37
Grounding Studs	21	Railroad Tank Car	38
Tank Transport Equipment	22	Adapters	38
Two way diverting valves	22	Swivel Adapter	38
Pipe Caps	22	Gaskets	38
Reducers	22	Connections	38
Reducing Caps	22	Wrenches	38
Gaskets and Washers	22		
Intermodal Tank Transport Equipment	23		
Pipe Caps, Stainless steel	23		
Reducers, Stainless steel	23		
Thread Adapter, Stainless steel	23		
Cam and Groove Adapter, Stainless steel	23		

Safety Vapor Vents

VRP3600

VRV3501



Tube Doors

TDF8

TDF7

TDF6



Vapor Vent Hood

VR6030

VR6035



Ladderstep

15S



Grounding Stud

GS1

GS2



Elbow Extension Kits



VAPOR

VR4050

VR4000

VAPOR

Vapor Caps

Vapor Valves

Load Only
5204L



FUEL

API'S



Vapor Couplers

VR4050PL

VR4100

Load/Unload
5204



VRC3000

VR4030CS

VR4050

Vapor Caps

Vapor Adaptor
VR4086



VAPOR

VR4100F

VR6000NP

VR6200

VR4050PL

Vapor Valve

Vapor Elbows

VAPOR

from Underground Tank

Petroleum Tanker Products

Flotech brand products



Dixon Bayco products are engineered for dependable, long service life and designed for easy, low cost maintenance. Where possible, modular systems are incorporated with common parts to minimize inventory of repair items.

Air Interlocks

5000AIV



5000AIR



5000AI



Aluminum TTMA Flanges

TTF3AL
TTF4AL
FG4540
4443



TTMA Round Flange Gaskets

API Cap Assembly



5000-25

41450-DCAL
[5000-24]

with
Sight Glass



without
Sight Glass



4500 Series Drop Adapters

Dust Cap



6400/F
6430/F

FUEL

FUEL

Elbow Inlets (6000 Series)



Female

Male



6000



6000AS



6200



6303/04



6500

(Vapor Outlet)



Top Seal Adapters



Standard 4"
BZ4051

Short 4"
BZ4051S

FUEL

FUEL

to Underground Tank

Locking Fill Caps



SA4050

TL4070BZ

4" API Valves

API Valves are used for bottom loading and unloading of petroleum tankers. Valve nose shape and opening comply with American Petroleum Institute standard (API RP-1004) enabling Dixon's API valves to interchange with competitor items made to the same specification. Two styles are available; a load model without handle and, a load/unload model with a handle to allow manual opening.

- Unique flow and fluid level sight indicator are available
- Load/unload versions feature an ergonomically curved handle that opens with a short 62° stroke. Can be ordered with a fixed or removable handle.
- Chemical resistant crank seals and poppet seal (Teflon® seals optional)
- Any required maintenance is simplified, can be completely rebuilt without removing the valve from the tank
- The ALH (anodized aluminum hard coat) nose ring can be rotated to provide a fresh cam service.
- See page 7 for tank truck flange gaskets.
- Aluminum ergonomic handle
- 5204NG approved for use in the following service: gasoline, diesel, E10 10% ethanol, E85 85% ethanol, E100 100% ethanol, B15 15% bio-diesel/diesel, B20 20% bio-diesel/diesel
- 5204NG tested performance to -40°F with 100% ethanol, B15 15% bio-diesel and B20 20% bio-diesel
- 5204NGV approved for use in the following service: B100 100% bio-diesel



5204



5204L

API Load /Unload Valve

Part #	Description
5204NG	Fixed handle, without sight glass, ALH nose ring, Baylast seal
5204	Fixed handle, sight glass, ALH nose ring, Baylast seal
5204C	Removable handle*, sight glass, ALH nose ring, Baylast seal
5204NGC	Removable handle*, without sight glass, ALH nose ring, Baylast seal
5204SNG	Fixed handle, without sight glass, ALH nose ring, stainless spring for crude oil, Baylast seal
5204TNG	Fixed handle, without sight glass, ALH nose ring, Teflon® seals
5204NGV	Fixed handle, without sight glass, Viton® seals

* Removable handle for Canadian market

API Load Only Valve

Part #	Description
5204L	Load only API valve with sight glass, ALH nose ring
5204LNG	Load only API valve without sight glass, ALH nose ring

Replacement Part Kits

Part #	Description
5204K1	Viton® poppet O-ring (for 5204NGV)
5204K2	Complete rebuild kit: all O-ring and bearings (load/unload versions only)
5204K3	Anodized aluminum hard coat nose ring with screws and gasket (load/unload versions only)
5204K4	Bayloy nose ring with screws and gaskets (load/unload versions only)
5204K5	Detachable handle assembly and pin (load/unload versions only)
5204K6	Teflon® encapsulated seals (load/unload versions only)
5204K7	Fixed handle assembly and pin (load/unload versions only)
5204K8	Sight glass kit (load/unload versions only)
5204K9	Sight glass cover (to convert to non-sight glass)
5204K10	Baylast O-ring for 5204

API Dust Caps



5000-25



5000-24

Part #	Description
41450-DCAL	Aluminum API cap with flat gasket
5000-24	Aluminum API cap with O-ring gasket
5000-25	Nylon API cap with flat gasket, pad lockable arm

Gravity Drop Adapters

Gravity drop adapters attach and seal directly against openable API's and allow drop hose with standard cam and groove couplers to clamp on and transfer petroleum from the API. Dixon manufactures two styles of gravity drop adapters; a standard one-piece and a two-piece bolt together design with sight glass. Both are Dixon quality cast construction with bronze cam arms and Buna O-ring seals (Viton® O-rings available upon request).

Standard One Piece Body

- Quality cast aluminum body with inside lip to hang on API while clamping
- Inexpensive replacement of Buna seal (Viton® seal available)
- Bronze cam arms with stainless steel pins and finger rings

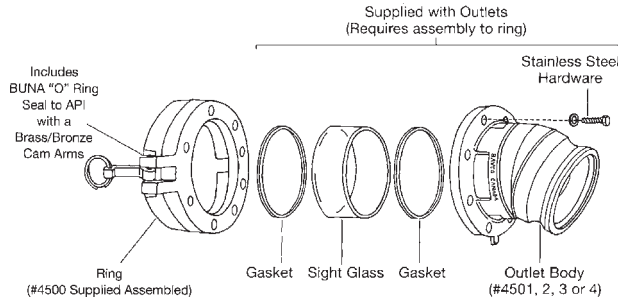


Part #	Description
4530	API 3" drop adapter with O-ring gasket
4540	API 4" drop adapter with O-ring gasket
4500-5	Replacement Viton® O-ring for 4500 series, 5000-24
4500-7	Replacement O-ring for 4500 series & 5000-24
41440-225AL	API 4" drop adapter with flat gasket
31440-225AL	API 3" drop adapter with flat gasket
2143SEALBU	Replacement flat gasket for 31440, 41440, & 41450

Two Piece Design with Sight Glass

Bayco brand two-piece gravity drop adapter system consists of a 4500 ring assembly and an outlet which contains mounting bolts, sight glass and seals. Customer assembly required (see sketch). Order ring and outlets separately.

Note: Order 4500 ring and outlets separately. All outlets include sight glass, seals and mounting bolts.



Sketch showing assembly of 2 piece drop adapter

Part #	Description
4500	Ring only
4500V	With Viton® ring
4501	3" male x 4" TTMA flange x 22½°
4501V	With Viton® gaskets
4502	4" male x 4" TTMA flange x 22½°
4502V	With Viton® gaskets
4503	4" male x 4" TTMA flange straight
4503V	With Viton® gaskets
4503SPECIAL	4" male x 4" TTMA flange straight, no sight glass
4504	4" female x 4" TTMA flange x 22½° coupler
4504V	With Viton® gaskets



4500



4503, 4503SPECIAL



4501, 4502



4504

Part #	Description
4501ASSM	API drop adapter outlet, 3" x 4" x 22½° adapter, sight glass, buna seals (4500 + 4501)
4502ASSM	API drop adapter outlet, 4" x 4" x 22½° adapter, sight glass, buna seals (4500 + 4502)
4503ASSM	API drop adapter outlet, 4" x 4" x 22½° adapter, sight glass, buna seals (4500 + 4503)
4504ASSM	API drop adapter outlet, 4" x 4" x 22½° coupler, sight glass, buna seals (4500 + 4504)

Tank Truck Gaskets

Part #	Size	Description	OD	ID	Thickness
300GTTFCB	3"	Cork / Buna	5-5/8"	3-1/2"	1/8"
300GTTFTK	3"	Dixon Teflon® Envelope with Klinger Filler	5-5/8"	3-1/2"	1/16"
400GTTFCB	4"	Cork / Buna	6-5/8"	4-9/16"	1/8"
400GTTFTK	4"	Dixon Teflon® Envelope with Klinger Filler	6-5/8"	4-9/16"	1/16"
400GTTFK	4"	Klinger	6-5/8"	4-9/16"	1/16"



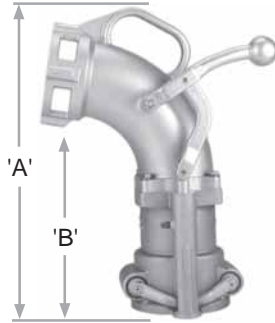
Drop Elbows and Accessories

Drop elbows connect to the underground tank fill collar on one end and to the tanker drop hose at the other. They allow convenient hose connection and prevent hose damage due to kinks. Bayco brand elbows are built tough for consistent positive locking using solid bronze arms with modular construction for easy, low cost maintenance. Locking mechanisms, cam arms and bottom assemblies are interchangeable.

4" Drop Elbows



6000 Series



6200 Series

- Comes with acrylic sight glass and Buna seals for sight glass
- Bolt-on inlets for easy replacement
- Solid bronze locking arms housed in polymer bushings provide the best bite of any elbows in the market
- Lubrication fitting for locking stem, stem made of stainless steel
- Modular quality cast aluminum construction
- Field repair and upgrade are made simple due to modular design

Part #	Description	'A' Overall Height	'B' Ground Clearance
6000	D handle model	17-3/4"	10-7/8"
6000A	D handle model with 4" adapter	17-3/4"	10-7/8"
6000T	D handle model, with anti-spill sleeve	17-3/4"	10-7/8"
6200	Side lever standard height model	17-3/4"	10-7/8"
6200A	Includes 4" male inlet assembled	17-3/4"	10-7/8"
6200AT	Includes 4" male inlet and anti spill tube assembled	17-3/4"	10-7/8"
6200B	Includes 3" female inlet assembled	17-3/4"	10-7/8"
6200C	Includes 3" male inlet assembled	17-3/4"	10-7/8"
6200D	Includes 4" female inlet assembled	17-3/4"	10-7/8"
6200RH	Side lever standard height, with right hand side lever	17-3/4"	10-7/8"
6200RHA	Side lever standard height, with right hand side lever, 4" male inlet	17-3/4"	10-7/8"
6200T	Side lever standard height, with anti-spill sleeve	17-3/4"	10-7/8"
6200X	Side lever tall model	21"	13-3/4"
6200XA	Side lever tall model with 4" male inlet installed	21"	13-3/4"
6200XAT	Side lever tall model with anti-spill sleeve	21"	13-3/4"
6200XB	Side lever tall model with 3" female inlet installed	21"	13-3/4"
6200XC	Side lever tall model with 3" male inlet installed	21"	13-3/4"
6200XD	Side lever tall model with 4" female inlet installed	21"	13-3/4"
6200XT	Side lever tall model, with anti-spill sleeve	21"	13-3/4"

Elbow Options

- **6000EXT: Extension Kit** (see page 11) Provides extra height for deep fill boxes, kit increases elbow ground clearance by approximately 3". Can be used with all standard height 6000/6200/6500 series drop elbows.
- **6200SLK: Safety Latch Kit** (see page 11) Locks the side lever of the 6200/6400 series elbows.
- **6200-17:** for standard height 6000/6200/6500 series elbows
- **6200X-17: Anti Spill Tube Kit** for tall 6200/6500 series elbows. Tube kit fits inside the base of 6000/6200/6500 series elbows and extends the drop point of the fuel delivery to a point below the adapter within the fill box.

Elbow Inlets



6000-14
6000-15
Female



6000-16
6000-17
Male



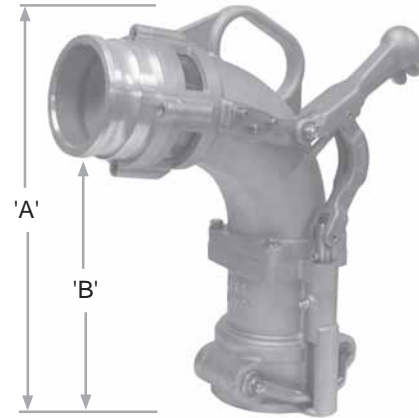
6000-20
Female

- For 6000, 6000AS, 6200, 6500 elbows
- Bolt-on easy to install/replace
- Aluminum bodies with bronze cam arms
- Comes with stainless steel cap screws (4)

Part #	Description
6000-14	4" female
6000-14C	4" female for 6400 series coaxial elbow
6000-15	3" female
6000-16	3" male
6000-16C	3" male for 6400 series coaxial elbow
6000-17	4" male
6000-17C	4" male for 6400 series coaxial elbow
6000-20	4" male with FNPT
VR6000-6	3" male adapter for vapor elbows

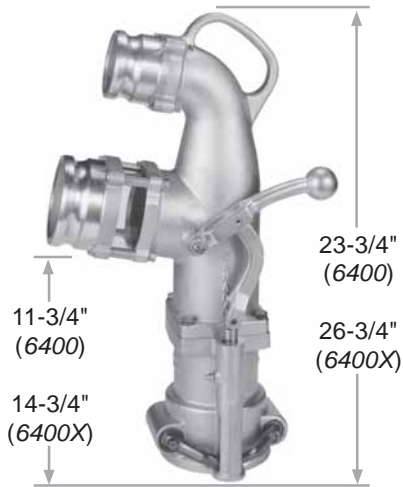
Self-Locking Drop Elbows

- Strong arm design increases the strength of the locking arm components.
- Arm hinge points use a double yoke designed to increase strength. There are no side bolts or casting bosses to break.
- No need for the operator to engage or set the locking mechanism because the 6500 series automatically locks the arm onto the fill adapter when the arm is rotated into the locking position.
- Ergonomic arm design contains a lock release lever that the operator can engage or disengage by simply gripping the locking arm. Since the locking mechanism is tucked inside the locking arm it can not be accidentally released.
- Self-locking arm prevents the elbow from popping off due to a hydraulic surge when the underground storage tank overflow valve slams shut.
- Easy to service - all gaskets and repair parts are common to the product line.
- Handle can be mounted to left or right side of elbow



Part #	Description	'A' Overall Height	'B' Ground Clearance
6500	Tightfill elbow with locking handle	17-3/4"	10-7/8"
6500A	Tightfill elbow with locking handle and 4" adapter	17-3/4"	10-7/8"
6500B	Tightfill elbow with locking handle and 3" coupler inlet	17-3/4"	10-7/8"
6500C	Tightfill elbow with locking handle and 3" adapter inlet	17-3/4"	10-7/8"
6500D	Tightfill elbow with locking handle and 4" coupler	17-3/4"	10-7/8"
6500X	Tightfill tall model elbow with locking handle	21"	13-3/4"
6500XA	Tightfill tall model elbow with locking handle and 4" adapter	21"	13-3/4"
6500XB	Tightfill tall model elbow with locking handle and 3" coupler inlet	21"	13-3/4"
6500XC	Tightfill tall model elbow with locking handle and 3" adapter inlet	21"	13-3/4"
6500XD	Tightfill tall model elbow with locking handle and 4" coupler	21"	13-3/4"
6500T	Tightfill elbow with locking handle, anti-spill sleeve	17-3/4"	10-7/8"
6500AT	Tightfill elbow with locking handle, anti-spill sleeve and 4" adapter	17-3/4"	10-7/8"
6500BT	Tightfill elbow with locking handle, anti-spill sleeve and 3" coupler	17-3/4"	10-7/8"
6500CT	Tightfill elbow with locking handle, anti-spill sleeve and 3" adapter	17-3/4"	10-7/8"
6500DT	Tightfill elbow with locking handle, anti-spill sleeve and 4" coupler	17-3/4"	10-7/8"
6500XT	Tightfill tall elbow with locking handle, anti-spill sleeve	21"	13-3/4"
6500XAT	Tightfill tall elbow with locking handle, anti-spill sleeve and 4" adapter	21"	13-3/4"
6500XBT	Tightfill tall elbow with locking handle, anti-spill sleeve and 3" coupler	21"	13-3/4"
6500XCT	Tightfill tall elbow with locking handle, anti-spill sleeve and 3" adapter	21"	13-3/4"
6500XDT	Tightfill tall elbow with locking handle, anti-spill sleeve and 4" coupler	21"	13-3/4"

Coaxial Elbows



- For single point vapor recovery only
 - 3" male vapor outlet (*top*)
 - Comes assembled with choice of 3" or 4" male or female inlets.
- Note:** 6400 series coaxial inlets will not fit our other elbow series, please see page 8 for inlets.
- Quality cast aluminum construction with solid bronze arms
 - Bolt-on inlets/outlets for easy, fast replacement
 - Acrylic sight glass with Buna seals
- 6400EXT** Kit (see page 11) raises elbow clearance an additional 3" to approximately 14³/₄" when extra height for deep fill boxes is required.

Part #	Description
6400	4" male inlet
6400F	4" female inlet
6400L	4" male inlet and safety latch
6400FL	4" female inlet and safety latch
6430	3" male inlet
6430L	3" male inlet and safety latch
6430F	3" female inlet
6430FL	3" female inlet and safety latch
6400X	Tall model with 4" male inlet
6400XF	Tall model with 4" female inlet
6400XFL	Tall model with 4" female inlet and safety latch
6400XL	Tall model with 4" male inlet and safety latch
6430X	Tall model with 3" male inlet
6430XF	Tall model with 3" female inlet

Straight Drop Fittings



- For use with unusually deep fill boxes where standard elbows cannot be attached
- D handle operation, bottom end same as 6000
- Welded construction of top section
- Available with 3" or 4" male inlets

Part #	Description
6303	3" male inlet
6304	4" male inlet

Side Seal Drop Elbows



- For use with special 4" side seal style fill collars only
- Modular, easy repair, bolt-on construction
- Comes with acrylic sightglass, Buna seals and bronze arms
- Choice of 3" or 4" inlets
- Available with anti-spill sleeve (locking ring is available)

Part #	Description
6000AS	Elbow only / no inlet
6000ASA	6000AS with 4" male inlet
6000ASAT	6000AS with 4" male inlet with anti-spill tube
6000ASB	6000AS with 3" female inlet
6000ASC	6000AS with 3" male inlet
6000ASD	6000AS with 4" female inlet
6000ASAL	6000ASA with locking ring
6000ASR	Locking ring kit
6000AST	Includes anti-spill sleeve

Side Seal Adapter

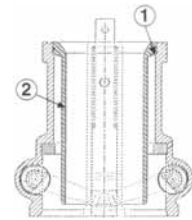
- Allows conventional top seal elbows to be used with side seal style fill collars
- Bottom connects to side seal collar/top section accepts standard 4" top seal elbows



Part #	Description
6000-SSA	Side seal adapter

Anti-Spill Sleeves

- Designed for 6000, 6200 and 6500 top seal elbows
- Consists of aluminum tube (1) and seal (2) which fits inside bottom assembly of elbow
- Allows fuel to bypass and exit below the underground tank collar/elbow seal interface, preventing leakage or spill should problems with sealing or lock-up occur
- 6200-17 for standard height 6000/6200 series elbows
- 6200X-17 for tall 6200 series elbows
- Anti-spill tube can be purchased already assembled within elbows



Part #	Description
6200-17	Anti-spill tube for standard height 6000/6200/6500 series elbows
6200X-17	Anti-spill tube for tall height 6200/6500 series elbows

Sketch of 6200-17 sleeve includes:

1. O-ring
2. Aluminum sleeve

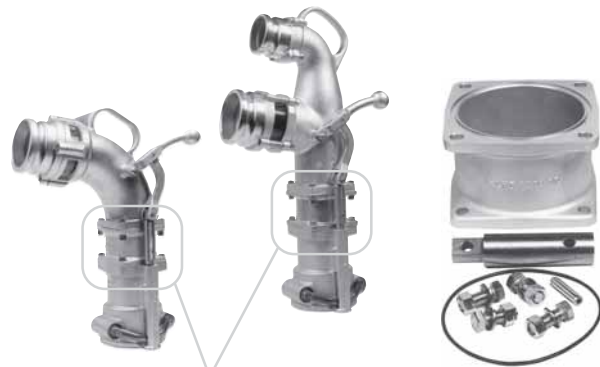
Note: Sleeve allows liquid to bypass main gasket/underground tank adapter interface.

Elbow Extension Kits

- Spacer kits raise Bayco brand elbow clearance by 3" for customers requiring additional height to clear deep fill boxes (for 6000/6200/6400/6500/VR6000/VR6200 standard height elbows)
- Requires assembly to elbow
- Kit comes with cast aluminum spacer, linking extension hardware and installation instructions

Note: 6400 extension kit includes replacement vapor tube, not shown in photo.

Part #	Description
6000EXT	for 6000/6200/6400/6500/VR6000/VR6200 elbows
6400EXT	for 6400 co-axial elbow



Spacer kits shown assembled to elbows

Anti-Spill Safety Latch Kit

(Requires assembly to elbows)

- Prevents accidental spills by locking 6200/VR6200 series elbows or 6400 series co-axials to underground tank collar
- Available as retro fit kit or assembled on elbows (pictured)
- Kit includes bronze safety latch, hardware and assembly instructions
- Simple, reliable locking and quick release unlocking



Safety Latch

Part #
6200SLK

Vapor Recovery Products

Bayco brand petroleum tanker vapor return products are designed for interchangeability with competitor products and built to the highest quality standards for trouble-free service. They allow transfer of underground storage tank vapor to the tanker compartments during the off loading of petroleum

Vapor Elbows



VR6000NP



VR6200

- For use in two point vapor recovery systems
- Choice of 4 models with and without probe, poppet and adapter outlet
- One piece bronze locking arms housed in polymer bushings
- Advanced design side lever locking system
- Buna seals and stainless steel hardware
- Bolt on 3" male outlet included (*can rotate for extended life*)
- Use VR6000-6 as a replacement 3" adapter for VR6200 model
- Shares a common bottom end with other vapor elbows
- Lubrication fitting on locking stem

Note: See drop elbow (page 9) for single point vapor recovery coaxial elbow 6400.

Part #	Description
VR6000NP	Vapor elbow with 3" adapter outlet, D-type handle, no poppet valve
VR6000PNP	Vapor elbow with 3" adapter outlet, D-type handle and extension kit assembled, no poppet valve
VR6200	Vapor elbow with 3" adapter outlet, includes outlet poppet valve
VR6200L	VR6200 elbow with safety latch kit
VR6200LNP	VR6200 elbow with safety latch kit, without outlet poppet valve
VR6200LPNP	VR6200 elbow with safety latch kit and extension kit, without outlet poppet valve
VR6200NP	Vapor elbow with 3" adapter outlet, without outlet poppet valve
VR6200NPBU	Vapor elbow without 3" adapter outlet and without outlet poppet valve
VR6200NPBP	Vapor elbow with 3" coupler outlet and extension kit assembled, no poppet valve
VR6200NPDP	Vapor elbow with 4" adapter outlet and extension kit assembled, no poppet valve
VR6200BNP	Vapor elbow with 3" coupler outlet, D type handle, no poppet valve
VR6200PNP	Vapor elbow with 3" adapter outlet, D type handle, no poppet valve with extension kit



Elbow inlets can be found on page 8.

Vapor Valves



- Bulb designed for maximum vapor flow (*low resistance*) for fast loading of tankers
- With angled acrylic sight glasses (2) and drain plug, allows viewing and drainage of fluids if in system
- Quality cast aluminum construction
- 4" TTMA flange
- With air interlock mount (*use air interlock 5000AIV if required*)
- See page 7 for tank truck gaskets

Part #

VR4000

- Features easy seal replacement while on tanker
- Heavy duty cast aluminum body
- 4" vapor valve
- With air interlock mount (*use air interlock 5000AI if required*)



VR4100F



VR4100



Part #	Description
VR4100	4" vapor return valve, 4 x 4, NPT
VR4100NP	4" vapor return valve, 4 x 4, FNPT without poppet valve
VR4100NPS	4" vapor return valve, 4 x 4 without poppet and straight thread
VR4100S	4" vapor return valve, 4 x 4 with straight thread
VR4100F	4" vapor return valve, 4 x 4, TTMA flange
VR4100FNG	4" vapor return valve, 4 x 4, TTMA flange, no glass
VR4100F-NGNP	4" vapor return valve, 4 x 4, TTMA flange, no glass, no poppet

Vapor Hose Couplers

- For use with vapor hose
- Cast aluminum body
- Buna gasket
- **VR4030CS-AL** has Viton® poppet seal

Part #	Description
VRC3000AL	3" coupler with probe x 3" hose shank
400-CVR-AL	4" coupler with probe x 4" hose shank
4030-CVR-AL	4" coupler with probe x 3" hose shank
VR4030CS-AL	4" coupler with poppet and probe x 3" hose shank
VR4030CS-NP	4" coupler no poppet and probe x 3" hose shank
4030-DAVR-AL	4" coupler with poppet and probe x 3" adapter
4030-DVR-AL	4" coupler with probe x 3" female NPT
400-DVR-AL	4" coupler with probe x 4" female NPT



VRC3000AL



VR4030CS-AL

Sequential Vapor Vents

Sequential vapor vents are used for venting tank vapors during the bottom loading and unloading of petroleum tankers. These pneumatically activated vapor vents can either be installed to open in a sequence or to open independently in either 16" or 20" tank manholes.

- Highest flow vapor recovery vents on the market
- Baylast seals resist chemical attack from fuel additives and alcohol
- Floating piston design ensures long life and resists poppet sticking
- Can be used for both sequential and non-sequential operation
- Quick and easy to rebuild with simple hand tools
- Tested vapor tight to 36 PSI, certification 49 CFR 178.345-5
- Sealed system eliminates common leak points and improves reliability
- VR6030SQ / VR6035SQ: effective February 2007 all standard gaskets will be Baylast
- Effective immediately the following vapor valves will be offered in Viton® gaskets for bio-diesel up to B100:
 - **VR6030SQV** - 16" sequential vent valve, Viton® gasket
 - **VR6030V** - 16" non-sequential vapor vent valve, Viton® gasket
 - **VR6035SQV** - 20" sequential vapor vent valve, Viton® gasket
 - **VR6030RKV1** - 16" repair kit, piston sub-assembly, poppet Viton® gasket
 - **VR6030RKV3** - 16" repair kit, poppet Viton® gasket
 - **VR6035RKV1** - 20" repair kit, piston sub-assembly, poppet Viton® gasket
 - **VR6035RKV3** - 20" repair kit, poppet Viton® gasket



VR6030SQ (16")



VR6035SQ (20")



40193AL

Part #	Description
VR6030SQ	For 16" manhole, mounting ring attachment
VR6035SQ	For 20" manhole, 3" TTMA flange attachment
40193AL	VR6035 adapter flange for Parker style vents

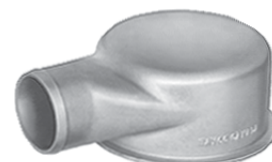
Replacement Part Kits

Part #	Description
VR6030RK1	VR6030SQ (16") complete rebuild kit
VR6030RK2	VR6030SQ (16") replacement piston assembly (<i>piston and lip seals</i>)
VR6030RK3	VR6030SQ (16") replacement vapor poppet gasket only
VR6035RK1	VR6035SQ (20") complete rebuild kit
VR6035RK2	VR6035SQ (20") replacement piston assembly (<i>piston and lip seals</i>)
VR6035RK3	VR6035SQ (20") replacement vapor poppet gasket only

Vent Hood

Designed specifically to fit with Nordic Posi-Vent only. The hood conveniently clamps to the 8-3/8" Posi-Vent outer flange of the mechanical compartment vent.

- Cast aluminum
- Comes with Buna gasket and steel ring clamp for flange mounting
- Machined base for tight gasket seal mounting



Part #
VRVH8380

Vapor Caps



- Lockable push/pull cap for vapor valves
- Orange colored for visibility
- Aluminum or ultra lightweight nylon versions available

Part #	Description
VR4050AL	Aluminum cap
VR4050ALC	Aluminum cap with chain
400-G-BU	Replacement gasket



- Centered T handle for one handed ease of use and a solid locking mechanism
- Strong and lightweight
- Built-in locking feature
- Corrosion resistant materials
- Color coded safety orange for vapor service
- Manufactured with a hole for a chain / lanyard

Part #	Description
VR4050PL	Ultra lightweight nylon cap
VR4050PLC	Ultra lightweight nylon cap with chain
40018BN	Replacement gasket

Inbreathing and Outbreathing Vents



VRP3500
VRP3600



VRV3501

- Installed in vapor plumbing as a safety device to relieve pressure or vacuum build up when vapor system is blocked during loading/unloading
- 4" TTMA flange mounting (*aluminum*)
- Stainless steel shaft and Buna seals
- See page 7 for tank truck gaskets

Part #	Description
VRP3500	Outbreathing vent for MC306 (opens at no greater than 1 PSI pressure)
VRP3600	Outbreathing vent for DOT406 (opens at no less than 1 PSI pressure)
VRV3501	Inbreathing vent (opens at 1.5" Hg vacuum)

Air Interlocks

- Mounts to API's, vapor valves and safety bars
- Rugged solid bronze body for dependable service and superior corrosion resistance
- Choice of standard piston end or paddle end (*for bulb style vapor valve*)
- Adjustable stroke to accommodate length variations
- Includes ¼" x 1¾" stainless steel mounting bolts

Part #	Description
5000AI	Standard button plunger pneumatic interlock
5000AIV	Paddle plunger pneumatic interlock, for use with VR4000 vapor valve
5000AIR	Roller ball plunger pneumatic interlock, ideal for use on cabinet doors
5000AIS	Standard button plunger pneumatic interlock with electronic switch, ideal for connecting to electronic overfill systems
5000AIST	1½" button plunger pneumatic interlock
5000S	Electronic switch kit, for adding electronic switching to Bayco brand pneumatic interlock valves
5000ST	Replacement 1½" large button



5000AI



5000AIV



5000AIR

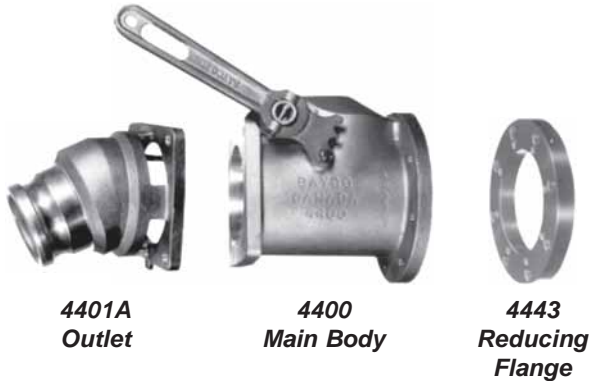


5000AIS

4" Tanker Faucets

Tanker faucets are dependable valves used for tanker gravity offloading of petroleum or other products. The system consists of: a main body with handle activated flapper valve, a choice of bolt-on sight glass outlets and, a reducing flange if required.

Faucet Systems



- Faucet system includes main body, choice of outlets with sight glass and reducing flange (*order each separately*)
- Aluminum main body with 4" TTMA mounting flange and bronze handle operating internal flapper
- Body includes spring loaded flapper valve with Viton® seal and 4" square outlet flange
- 4443 reducing flange (4" TTMA to 3" TTMA) allows main body to bolt to 3" TTMA flange
- Bronze handle 4416 included when ordering main body

Note: Order main body, outlet and reducing flange separately.

See below for available outlets.
See *page 7* for tank truck gaskets.

Part #	Description
4400	Main body (<i>includes 4416 handle</i>)
4443	Reducing flange

Faucet Outlets



- Square flanged for mounting to 4400 body
- Comes with acrylic sight glass, two Buna seals and four stainless steel mounting bolts
- Cast aluminum body construction
- Choice of four adapters / couplers shown

Part #	Description
4401	4" x 22½° adapter
4401A	3" x 22½° adapter
4401S	4" straight adapter
4401-1	4" x 22½° coupler

Tank Truck Flanged Sight Flow Indicators

Designed to be a drop in replacement for the one-piece acrylic sight glass used behind the API load head. Rugged aluminum construction is more durable than the single piece acrylic doughnut commonly used. The cast aluminum design is suited to rough over the road trucking and load rack service. Replacement sight glass is a fraction of the cost of the one-piece design. Rated for **150 PSI** hydrostatic pressure at **70°F**. Large 4-3/8" I.D. for use with tank truck flanged butterfly valves.

- Strong and lightweight
- Allows for visual identification of the fuel grade prior to opening the valve
- Works with tank truck flanged butterfly valves found on gasoline trucks
- 1 3/4" width replaces acrylic doughnut sightglass
- Flange gaskets are no longer supplied, a retaining ring and machined lip hold the acrylic tube in place.



Part #	Description
5200-SFI	4" TTMA pattern flanged short sight flow indicator
5200-SFI3	3" TTMA pattern flanged short sight flow indicator
112029	3" cork buna flange gasket
112030	4" cork buna flange gasket



- Allows for visual identification of the fuel grade prior to opening the valve
- Works with tank truck flanged butterfly valves found on gasoline trucks
- Larger I.D. allows tank truck flanged butterfly valves to connect to either end of the 400-SFI-AL
- 3 1/4" width



Part #	Description
400-SFI-AL	4" sight flow indicator

Replacement Part Kits

Part #	Description
4SFIPSG	Replacement plexiglass for 400-SFI-AL
O249BU	Replacement buna-N O-ring for 400-SFI-AL
4SFI-G-VI	Viton® plexiglass gasket for 400-SFI-AL and 5200-SFI
4SFIPSGS	Replacement plexiglass for 5200-SFI

Note: For tank truck flange gaskets see page 7
For dimensional information on tank truck flange drilling see page 20

TTMA Series Flange Adapters

The TTMA pattern bolts quickly and easily to standard 4" TTMA flanges and provides a 3" or 4" male or female NPT thread. Adapter provides a simple and easy way to convert threaded components to standard TTMA flange configuration. Made of lightweight, solid cast aluminum that is more durable than welded fabrications. Design improves flow through adapter even on the 3" reducer. Compact size reduces the overall space needed to install the adapter.

- Available in 3" or 4" male or female NPT
- Strong and lightweight
- Solid one piece design

Part #	Description
TTF3AL-3MT	3" TTMA flange, 3" male NPT thread
TTF4AL-3EMT	4" TTMA flange, 3" male NPT extended length
TTF4AL-3FT	4" TTMA flange, 3" female NPT
TTF4AL-3MT	4" TTMA flange, 3" male NPT thread
TTF4AL-4EMT	4" TTMA flange, 4" male NPT extended length
TTF4AL-4FT	4" TTMA flange, 4" female NPT
TTF4AL-4MT	4" TTMA flange, 4" male NPT thread
TTF4ALHC-3MT	4" TTMA flange, 3" male NPT thread, hardcoated
TTF4ALHC-4MT	4" TTMA flange, 4" male NPT thread, hardcoated



TTF4AL-4MT



TTF4AL-4EMT



TTF4AL-4FT

Note: see page 37 for TTMA x cam and groove

Dry Disconnects

Compatible with most cam and groove style dry disconnects. Rugged, reliable, and safe coupling for handling hazardous liquids. Bayco brand dry disconnects help prevent spillage from normal or accidental disconnects. *Our dry disconnect is a true dry disconnect.* It has a spring loaded sealing device designed to snap closed should the valve become disconnected with the poppet open, significantly limiting liquid loss. Bayco brand dry disconnect fittings can save you considerable money through compliance with environmental regulations and the cost associated with cleanup.



DBA11-200



DBVA73-2030



90° swivel



coupler

- EZ Boss-Lock cam arms provide high security from accidental opening due to vibration or snagging.
- Heavy duty stainless steel crank and link provide longer service life.
- Dry disconnect coupler has automatic closing poppet assembly
- Two-piece adapter design for easy rebuilding of adapters
- Stainless steel handle allows product exposure to corrosive chemicals or washdown service
- Strong handle attachment prevents bending of crank assembly
- Fully interchangeable with Kamvalok (OPW trademark) style fittings

Aluminum Adapters ²

Dixon Part #	OPW Part #	Description
DBA11-150	1611AN-AN15	1½", buna seal, aluminum body / zinc-aluminum internals
DBA11-200	1611AN-AN20	2", buna seal, aluminum body / zinc-aluminum internals
DBA12-150	1612AN-AN15	1½", Viton® seal, aluminum body / zinc-aluminum internals
DBA12-200	1612AN-AL20	2", Viton® seal, aluminum body / zinc-aluminum internals
DBA63-150	1663AN-AL15	1½", Teflon® seal, aluminum body / stainless internals *
DBA63-200	1663AN-AL20	2", Teflon® seal, aluminum body / stainless internals *
DBA64-150	1664AN-AL15	1½", EPT seal, aluminum body / stainless internals *
DBA64-200	1664AN-AL20	2", EPT seal, aluminum body / stainless internals
DBA66-200	1666AN-AL20	2", Chemraz® seal ¹ , aluminum body / stainless internals *

Stainless Steel Adapters ²

Dixon Part #	OPW Part #	Description
DBA71-150	1671AN-SS15	1½" Buna seal, stainless steel internals *
DBA71-200	1671AN-SS20	2" Buna seal, stainless steel internals *
DBA72-150	1672AN-SS15	1½" Viton® seal, stainless steel internals *
DBA72-200	1672AN-SS20	2" Viton® seal, stainless steel internals *
DBA73-150	1673AN-SS15	1½" Teflon® encapsulated silicone seal, stainless steel internals *
DBA73-200	1673AN-SS20	2" Teflon® encapsulated silicone seal, stainless steel internals *
DBA74-150	1674AN-SS15	1½" EPT seal, stainless steel internals *
DBA74-200	1674AN-SS20	2" EPT seal stainless steel internals
DBA76-150	1676AN-SS15	1½" Chemraz® seal ¹ , stainless steel *
DBA76-200	1676AN-SS20	2" Chemraz® seal ¹ , stainless steel internals *
DBA77-150	1677AN-SS15	1½" Teflon® encapsulated Viton® seal, stainless steel internals *
DBA77-200	1677AN-SS20	2" Teflon® encapsulated Viton® seal, stainless steel internals *
DBVA73-2030	2173AVN	2" Teflon® seal, 3" female thread

¹ Chemraz® gasket, main seal O-ring and handle O-ring. Teflon® seals on cylinder assembly, stuffing box, and seal under poppet screw.

² A DBA style adapter is required for coupler to operate. Adapter sold separately.

* Stainless steel corrosion resistance is comparable to 304 stainless steel

Notes: Contact the factory for chemical compatibility, size and material selection. Special configurations can be designed for your application.

Contact the factory for availability on some models.

OPW and Kamvalok are registered trademarks of Dover Corporation.



Locking Handle Kit

Dixon Part #	Description
DBCL-200	Locking handle kit for 1½" and 2" dry disconnects

Dry Disconnects

Aluminum Couplers²

Dixon Part #	OPW Part #	Description
DBC61-150	1711D-AL15/1761	1½" Buna seal, aluminum body / stainless steel internals *-same as 1761D-AL15
DBC61-200	1711D-AL20/1761	2" Buna seal, aluminum body / stainless steel internals *-same as 1761D-AL20
DBC62-150	1712D-AL15/1762	1½" Viton® seal, aluminum body / stainless steel internals *-same as 1762D-AL15
DBC62-200	1712D-AL20/1762	2" Viton® seal, aluminum body / stainless steel internals *-same as 1762D-AL20
DBC63-150	1763D-AL15	1½" Teflon® and Kalrez® seals, aluminum / stainless steel internals *
DBC63-200	1763D-AL20	2" Teflon® and Kalrez® seals, aluminum / stainless steel internals *
DBC64-150	1764D-AL15	1½" EPT seal, aluminum / stainless steel internals *
DBC64-200	1764D-AL20	2" EPT seal, aluminum / stainless steel internals *
DBC66-200	1766D-AL20	2" Chemraz® and Teflon® seals ¹ , aluminum / stainless steel internals *
DBS61-200	1711ES-0200	2" Buna seal, aluminum body / stainless steel internals *, 90° swivel
DBS62-200	1712ES-0200	2" Viton® seal, aluminum body / stainless steel internals *, 90° swivel

Stainless Steel Couplers²

Dixon Part #	OPW Part #	Description
DBC71-150	1771D-SS15	1½" Buna seal, stainless steel *
DBC71-200	1771D-SS20	2" Buna seal, stainless steel *
DBC72-150	1772D-SS15	1½" Viton® seal, stainless steel *
DBC72-200	1772D-SS20	2" Viton® seal, stainless steel *
DBC73-150	1773D-SS15	1½" Teflon® encapsulated silicone and Chemraz® seal, stainless steel *
DBC73-200	1773D-SS20	2" Teflon® encapsulated silicone and Chemraz® seal, stainless steel
DBC74-150	1774D-SS15	1½" EPT seal, stainless steel *
DBC74-200	1774D-SS20	2" EPT seal, stainless steel *
DBC76-150	1776D-SS15	1½" Chemraz® and Teflon® seals ¹ , stainless steel *
DBC76-200	1776D-SS20	2" Chemraz® and Teflon® seal ¹ , stainless steel *
DBC77-150	1777D-SS15	1½" Teflon® encapsulated Viton® and Chemraz®, stainless steel *
DBC77-200	1777D-SS20	2" Teflon® encapsulated Viton® and Chemraz® seal, stainless steel *
DBC77-150-GL	1777D-SS15-GL	1½" Teflon® encap. Viton® and Chemraz® seal, stainless steel *, greaseless
DBC77-200-GL	1777D-SS20-GL	2" Teflon® encap. Viton® and Chemraz® seal, stainless steel *, greaseless

¹ Chemraz® gasket, main seal O-ring and handle O-ring. Teflon® seals on cylinder assbly, stuffing box, seal under poppet screw.

² A DBA style adapter is required for coupler to operate. Adapter sold separately.

* Stainless steel corrosion resistance is comparable to 304 stainless steel

Notes: Contact the factory for chemical compatibility, size and material selection. Special configurations can be designed for your application.

Contact the factory for availability on some models.

OPW is a registered trademark of Dover Corporation.

Bayonet Style Dry Disconnects

Bayonet dry disconnect fittings are guaranteed to be compatible with existing models. These fittings are designed and tested to provide maximum performance.

- Black, hard anodized body with polished stainless steel hardware
- Smooth coupling action and swivel rotation
- Contact the factory for availability on some models.



Stainless Steel Adapters

Dixon Part #	Emco™ Part #	Description
BA31-200	J72A-BBN0-B / J72A-ABN0-B	2" bayonet adapter, buna seals, stainless steel body, brass poppet
BA32-200	J72A-BVN0-B / J72A-AVN0-B	2" bayonet adapter, Viton® seals, stainless steel body, brass poppet

Aluminum Couplers

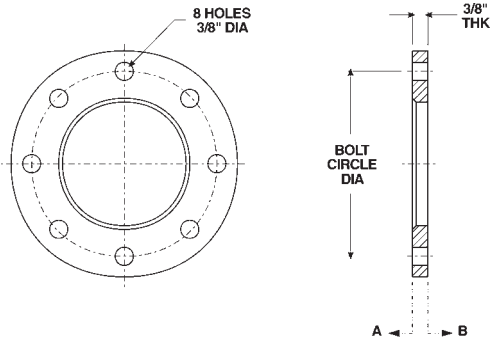
Dixon Part #	Emco™ Part #	Description
BS61-200	J72C-ABN2-B	2" bayonet coupler, aluminum with buna seals, 90° swivel
BS62-200	J72C-AVN2-B	2" bayonet coupler, aluminum with Viton® seals, 90° swivel
BSS61-200	J72C-ABN1B	2" bayonet coupler, aluminum with buna seals, straight swivel
BSS62-200	J72C-AVN1-B	2" bayonet coupler, aluminum with Viton® seals, straight swivel

Emco™ is a trademark of Gardner Denver Corporation

Tanker Accessories

Illustrated and described below are Bayco brand accessories for use with petroleum tankers. All are quality built for dependable long life service.

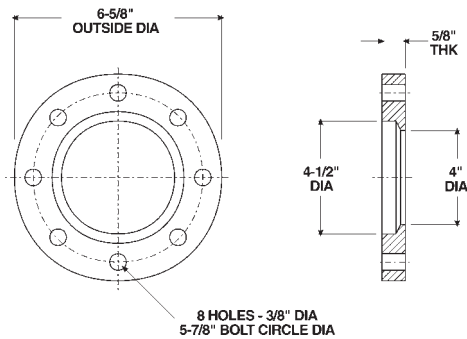
Aluminum TTMA Weldable Flanges



- For welding to 3" and 4" TTMA aluminum pipe
- Standard 3" and 4" TTMA bolt pattern
- Side A, I.D. beveled to aid welding
- Side B, machined surface for gasket seal
- 3" TTF3AL bolt circle diameter = 4.875"
- 4" TTF4AL bolt circle diameter = 5.875"
- See page 7 for tank truck gaskets.

Part #	Size
TTF3AL	3"
TTF4AL	4"

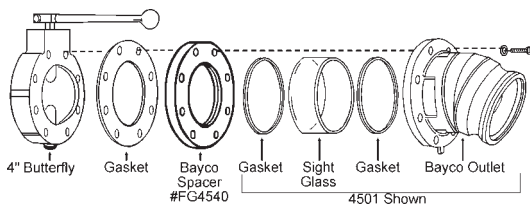
Aluminum TTMA Butterfly Spacer



- Special flange for sight glass installation
- Allows Bayco brand series 4500 drop adapter outlets (*with sight glass*) to be used with 4" butterfly valves (not supplied by Dixon Bayco)
- All surfaces machined
- Standard 4" TTMA bolt pattern
- See page 7 for tank truck gaskets.

Part #	Size
FG4540	4"

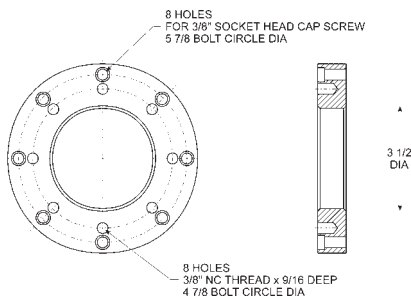
API Flanged Outlets with Sight Glass



Part #	Description
4501	3" male x 4" TTMA flange x 22½°
4502	4" male x 4" TTMA flange x 22½°
4503	4" male x 4" TTMA flange straight
4503SPECIAL	4" male x 4" TTMA flange straight, no sight glass
4504	4" female x 4" TTMA flange x 22½° coupler

See page 7 for tank truck gaskets.

Aluminum TTMA 4" to 3" Reducing Flange



- Allows bolting of 4" TTMA flanged product to 3" TTMA flanged product
- 4" TTMA hole pattern (*for 8, 3/8" socket head cap screws*)
- 3" TTMA blind hole pattern (*8, 3/8" NC thread x 9/16" deep*)
- All surfaces machined
- See *page 7* for tank truck gaskets.

Part #
4443

Dimensions of Tank Truck Flanges (TTMA Drilling)

Nominal Pipe Size	Flange O.D.	Thickness *	Diameter of Bolt Circle	Number of Bolts	Diameter of Bolt Holes	Diameter of Bolts
3"	5-5/8"	3/8"	4-7/8"	8	7/16"	3/8"
4"	6-5/8"	3/8"	5-7/8"	8	7/16"	3/8"
6"	8-7/8"	3/8"	8-1/8"	12	7/16"	3/8"

* Listed thickness is for aluminum flanges

Tube Doors

- Welds to standard aluminum hose tube
- Stainless steel spring
- Lockable
- Quality cast aluminum

Part #	Size
TDF6	6"
TDF7	7"
TDF8	8"



Aluminum Ladder Step

- 13" wide, contoured for welding to 2" aluminum tube
- Serrated anti-slip tread
- Cast from high tensile aluminum alloy

Part #
15S



4" Aluminum Dummy Adapter

- Similar to BZ4051 tank collar, but cast aluminum
- Welds to aluminum cabinet for clamp mounting of drop elbows

Part #
AL4051-BORE



3" Pipe Cap

- 3" NPS female thread
- Aluminum body with Buna gasket
- Comes with heavy duty 12" chain and 'S' hook
- 150 PSI maximum working pressure

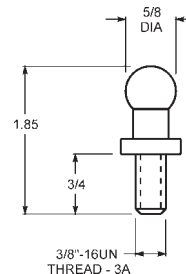
Part #
PC30



Grounding Studs

- Solid brass, stainless steel or aluminum
- With 3/8"-16 UN-3A thread
- For static electric grounding and overfill protection systems

Part #	Material
GS1	brass
GS2	stainless steel



Two Way Diverting Valves



2WAYBV200



2WAYBV300

- Working pressure: **150 PSI**
- Available in 2" and 3" standard and two-way flow
- Female NPT outlets are standard
- Optional flanges are available
- High flow rate; low pressure drop
- Wetted parts are aluminum and stainless steel
- Seals are FPM (Viton® and PTFE Teflon®)
- Spindle can be disassembled even when ball valve is installed

Part #	Description
2WAYBV200	2", 2 way diverting ball valve
2WAYBV300	3", 2 way diverting ball valve

Tank Transport Equipment

Fusible Pipe Caps NPSM Thread



NPSM Size	Stainless Steel Part #	Aluminum Part #	Iron Part #
3"	300-SFC-SS *	300-SFC-AL	300-SFC-MI

* Teflon® gaskets standard in stainless steel

Pipe Caps NPSM Thread



NPSM Size	Stainless Steel Part #	Aluminum Part #	Iron Part #
2"	200-PC-SS *	---	200-PC-MI
3"	300-PC-SS *	300-PC-AL	300-PC-MI
4"	400-PC-SS *	---	---

* Teflon® gaskets standard in stainless steel

Reducers Female NPSM x Male NPT



NPSM Size	NPT Size	Stainless Steel Part #	Aluminum Part #	Iron Part #
3"	2"	3020-RD-SS *	3020-RD-AL	3020-RD-MI
4"	3"	4030-RD-SS *	4030-RD-AL	---

* Teflon® gaskets standard in stainless steel

Reducing Caps Female NPSM x Female NPT



NPSM Size	NPT Size	Stainless Steel Part #
3"	1"	3010-RC-SS*

* Teflon® gaskets standard in stainless steel

Gaskets and Washers



Size	Buna-N Part #	Teflon® Part #	Neoprene Part #	Viton® Part #
1½"	---	150GPCTF	---	---
2"	200GPCBU	200GPCTF	KNW25	KVW25
3"	300GPCBU	300GPCTF	KNW35	KVW35
4"	---	400GPCTF	KNW40	---

Tank Transport Equipment - Intermodal

Stainless Steel Pipe Caps BSPP Thread

BSPP Size		<i>Stainless Steel</i> Part #
3"		300PCSSAP



Stainless Steel Reducers Female BSPP x Male NPT

BSPP Size	NPT Size	<i>Stainless Steel</i> Part #
3"	2"	3020RDSSAP



Stainless Steel Thread Adapter Female BSPP x Male NPT

BSPP Size	NPT Size	<i>Stainless Steel</i> Part #
3"	3"	3030RDSSAP



Stainless Steel Adapter Cam and Groove Adapter x BSPP Thread

NPSM Size	BSPP Size	<i>Stainless Steel</i> Part #
3"	3"	300ASSAP
3"	2½"	3025ASSAP



FloTech Overfill Detection Products

Overfill detection for road tankers is a secondary emergency shut-off system used to prevent overfilling of tanker compartments during the terminal loading process. When an overfill situation is detected, the system will over ride and shut down the terminal pump/metering equipment filling the tanker compartment(s).

The system consists of overfill sensing devices, which are electronically connected to controls at the terminal through a plug and socket connection. Often on board tanker monitors are employed to inform on the loading process and provide diagnostic data should a problem occur. Monitors also translate electronic signal formats for different operating systems which may exist between the trailer and terminal. The two signal formats used are known as optic and thermistor and are defined by API RP1004. FloTech products meet NFPA and API RP1004 specifications for bottom loading and are approved by FM and CSA.

Dixon manufactures a full line of sensors, monitors, and sockets compatible with Scully and Civacon systems as well as complete overfill kits. See our Overfill Protection catalog for detailed product information.

Note: Some fuel additives are not compatible with certain seal materials. Please contact us for fuel additive compatibility.

Automatic Shut-Off Nozzles



- For card lock and truck refueling stations
- Venturi type automatic shut-off
- High pressure design for up to 80 gpm flow. (*Requires minimum 7.5 gpm for auto shut-off*)
- Detachable trigger ratchet
- Aluminum construction with bronze trigger

Part #	Inlet Size	Spout Size
1144D	1¼"	1¼"
1124D	1½"	1½"
AN125 *	1¼"	1¼"
AN150 *	1½"	1½"

* U/L approved for Canada

Pressure Nozzles for Bulk Delivery



With spout



Without spout

- Manual operation (*non-automatic*) for high pressures and fuel flow up to 80 gpm
- Easy opening dash pot design with shockless closing
- Bronze trigger with aluminum body and spout
- Detachable trigger ratchet, packing gland and seal

With Spout

Part #	Inlet Size	Spout Size
114D	1¼"	1¼"
112D	1½"	1½"

Without Spout

Part #	Inlet Size	Spout Size
114DNS	1¼"	1¼"
112DNS	1½"	1½"

Overwing Aircraft Nozzles



- Manual operation (*non-automatic*) for high pressures and fuel flow up to 80 gpm
- Easy opening dash pot design with shockless closing
- Aluminum body
- Bronze trigger with plastic guard pad to protect wing
- Detachable trigger ratchet, packing gland and seal
- Aluminum spout has cap with spring cord and a fine mesh stainless steel screen filter
- Screw attachment for grounding cable

Part #	Inlet Size	Spout Size
114DAV-06ASM	1½"	1¼"
114DAVR	1¼"	1"
114D-AV	1¼"	1¼"

Large Capacity Low Pressure/Gravity Nozzle



- Rugged utility nozzle for low pressure/gravity applications
- Rapid flow due to 1¼" oversized design
- Aluminum body, spout and trigger
- 25 PSI maximum pressure

Part #	Inlet Size	Spout Size
1250-94	1¼"	1¼"

Note: Some fuel additives are not compatible with certain seal materials. Please contact us for fuel additive compatibility.

Ball Nozzles for Bulk Delivery

The Bayco brand ball nozzle uses a 1" full port ball valve for high flow rate at a given inlet pressure. The internal flow path is computer designed to provide low pressure drop across the nozzle. Lower pressure drop permits higher flow rates at lower pressure, reducing foaming or backups.

Our unique swivel design permits low temperature operation without leakage around the O-ring seals. The swivel freely rotates even at temperatures as low as **-40°F** and pressures as high as **100 PSI**. Through-hardened chrome steel roller balls and hardened carbon steel ball race provide long service life.

- Standard nozzle uses a 3 PSI check valve. An optional 5 PSI check valve is available as a field replaceable kit.
- Available with Scully compatible connector or tube spout that are field replaceable

Part #	Description
BL062	1¼" inlet x swivel adapter outlet
BL064	1½" inlet x swivel adapter outlet
BL066	1¼" inlet x swivel with spout outlet
BL068	1½" inlet x swivel with spout outlet
BL072	1½" inlet x swivel with spout outlet
BL072NS	1½" inlet without spout



BL068

Repair Kits

Part #	Description
SWMF-RK1	swivel grease fitting kit includes grease nipple, screw adapter
SWMF-RK2	swivel seal and wear kit
SWMF-RK3	swivel complete rebuild kit
BL-RK10	ball nozzle seal kit
BL-RK11	5 PSI check valve spring kit
BL-RK12	3 PSI check valve spring kit
BL-RK4	shaft seal kit
BL005	replacement swivel outlet



BL072

Swivel Nut Pipe Adapters for Ball Nozzles

Nozzle connectors are manufactured from rugged cast bronze. Short body reduces overall length of nozzle. Interchangeable with other manufacturers. For home fuel oil delivery.

Part #	Inlet Size
BL002	1¼" male NPT
BL001	1½" male NPT
BL005	fine thread



Standard Utility Nozzles



- For use with 12 volt pumps and gravity flow
- Diecast metal body; choice of spouts
- For economy fuel dispensing, including construction, farm and small truck utility tanks
- Underwriters approved

Part #	Inlet Size	Spout Size
900 ¹	1"	1" outlet
900S	1"	1" straight
900B	1"	1" bent
900W34S	1"	¾" straight
900W34B	1"	¾" bent
900S34 ²	¾"	¾" straight
900B34 ²	¾"	¾" bent



¹ nozzle body only (without spout)

² ¾" nozzle inlet uses 1" x ¾" reducer bushing, supplied.

Hose Swivels

For use with petroleum and home heating oil hose

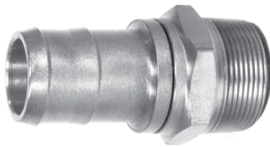
- Prevents twisting or kinking
- Cast bronze construction
- SWMF125 and SWMF150 are cast Bayloy

Standard Hose Swivel



<i>Part #</i>	Male NPT	Female NPT
<i>SWMF125</i>	1¼"	1¼"
<i>SWMF150</i>	1½"	1½"

Hose Shank Swivel



<i>Part #</i>	Male NPT	Hose Shank Size
<i>1265</i>	1¼"	1¼"
<i>1565U</i>	1½"	1½"
<i>1570</i>	1½"	1-3/8"

Check Valve Hose Swivel



<i>Part #</i>	Male NPT	Female NPT
<i>1280</i>	1¼"	1¼"
<i>1580U</i>	1½"	1½"
<i>1580R</i>	1¼"	1½"

Check Valves

Standard Check Valves

(for use between hose and nozzle)

For use with fuel delivery hose

- Cast bronze construction
- Brass stems
- Buna seals

Part #	Male NPT	Female NPT	Description
1210	1¼"	1¼"	STD spring ¹
1220	1½"	1½"	STD spring ¹
1230	1½"	1¼"	STD spring ¹
1209	1¼"	1¼"	HD spring ²
1219	1½"	1½"	HD spring ²



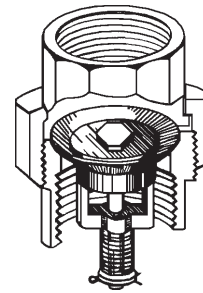
¹ STD spring opens at 2 PSI

² HD spring opens at 7 PSI

Union Check Valve

(stops suction line leaks)

Part #	Female NPT	Female NPT
1590	1½"	1½"



Angle Valves

- Rotation of cap controls gravity flow from above ground gasoline storage tank
- Inlet (*pipe from storage tank*) x outlet (*for hose and nozzle dispensing*)
- Lockable (*lock not included*)
- Cast non-ferrous alloy construction

Part #	Inlet Size	Outlet Size
500AV	1"	1"
525AV	1¼"	1¼"



Above Ground Petroleum Tank Accessories

Bayco brand accessories are rugged, reliable products which have serviced the petroleum industry for over 20 years.

Locking Fill Caps and Collars

For above ground fuel tanks. Aluminum or bronze caps come with leather gasket; aluminum, bronze or zinc collars with set screw and lug for padlock. *Order cap and collar separate.* Collar threads to pipe and is secured with a set screw. Side lug for padlocking cap to collar.



Part #	Size	Description
250A	2½"	fill cap, aluminum
250B *	2½"	fill cap, bronze
350A *	3½"	fill cap, aluminum
350B *	3½"	fill cap, bronze
350BC *	3½"	fill cap, bronze, heavy duty
400A	4"	fill cap, aluminum
400B	4"	fill cap, bronze
400BC *	4"	fill cap, bronze, heavy duty
250AC *	2½"	collar, aluminum
250BC	2½"	collar, bronze
350C *	3½"	collar, zinc
350HD *	3½"	collar, zinc, heavy duty
400C	4"	collar, zinc
400HD	4"	collar, zinc, heavy duty
G2500L	2½"	replacement leather gasket for fill cap
G350L	3½"	replacement leather gasket for fill cap
G400L	4"	replacement leather gasket for fill cap

* Items will be discontinued as stock is depleted.

Automatic Pressure/Vacuum Relief Caps

- Normally closed, stops fuel evaporation and airborne contaminants
- Lockable
- Relieves both pressure and vacuum buildup in fuel tanks
- Two styles available, choose for stationary or mobile fuel storage tanks as listed below

For stationary fuel tanks



Part #	Description
2000L	2" male NPS, relieves vacuum at .7 Hg (.33 PSI) and pressure at 2 PSI, 20 SCFM flow
2500L	2½" male NPS, relieves vacuum at .7 Hg (.33 PSI), and pressure at 2 PSI, 20 SCFM flow
2500RW	removal wrench for PV caps

For mobile fuel tanks



Part #	Description
200-PV-9	2" male NPT, relieves vacuum relief at 1" Hg (.5 psig), and pressure at between 7.5 and 9 psig

SAFETY
ALERT

Note: Bayco brand pressure/vacuum relief caps should be routinely inspected to ensure correct operation and that the relieving components are free to move and the air flow path is not blocked.

Standard Vent Cap



(Does not have pressure or vacuum valves)

- Allows venting of tank to atmosphere at all times
- Aluminum body
- Male NPS inlet

Part #	Size
2500SFV	2½"

Station Vents

- Cast aluminum construction
- Screws included
- Built-in screen

Part #	Description
47-48	For 1½" to 2" vapor stack
49	For 3" vapor stack



Suction Deflector

- Cast aluminum construction
- Threads to 2" suction pipe

Part #	Size
A38	2"



4" Twin Lever Fill Cap

- For use with underground tank fill adaptor
- Bronze body with lockable bronze levers
- Includes Buna gasket

Part #	Size
400TFLC2BR	4"



4" Single Action Fill Caps

- For use with underground tank fill adaptor (*top seal*)
- Lockable, push-pull operation
- Choice of aluminum or bronze body
- Bronze cam arms
- Includes Buna gasket

Part #	Size
SA4050AL	4"
SA4050BZ	4"



4" Vapor Caps

- Special locking cap for underground tank vapor outlet VR4086 and tanker vapor valves VR4100 and VR4000
- Aluminum & ultra lightweight nylon versions available
- Orange colored for visibility

Part #	Size
VR4050AL	4"
VR4050PL	4"



Underground Tank Collars



Standard 4" Fill Adapter

Part #	NPT Size	Height	Material
BZ4051	4"	3½"	bronze
BY4051	4"	3½"	bayloy



Short 4" Fill Adapter

Part #	NPSM Size	Height	Material
BZ4051S	4"	2-3/8"	bronze

- Comes with gasket seal
- Often employed when soil settles around tank and shorter height is required



Vapor Adapter

Part #	NPT Size	Height	Material
VR4086	4"	3-5/8"	bronze
VR4086BY	4"	3-5/8"	bayloy

- Poppeted vapor collar at station vapor outlet
- Can also be used as vapor valve on tanker but does not have air interlock mount
- Low profile design

D.O.T. Push-In Fittings

See current Dixon Price List for a complete list of part numbers and pricing.

These fittings are designed for use on all pneumatic circuits other than air brake assemblies between the frame and axle or between towed and towing vehicle.

Materials:

- All threaded bases are nickel-plated brass
- Bodies are 6/6 glass filled nylon
- Seals are low temperature Buna-N

Working Pressure: vacuum to 275 PSI at ambient temperature

Working Temperature: -20°F to 225°F

Suitable Fluids: Compressed air only.

Lubricated or non-lubricated

Compatible Tubing: Tubing used should be that specified in SAE J844 (Oct. 1980) which also meets NHTSA FMVSS 106.

Straight Male Connectors



Tube O.D.	Male NPT	Part #
1/4"	1/4"	31155614DOT
1/4"	3/8"	31155618DOT
3/8"	1/4"	31156014DOT
3/8"	3/8"	31156018DOT

Straight Female Connectors



Tube O.D.	Male NPT	Part #
1/4"	1/4"	31145614DOT
3/8"	3/8"	31146018DOT

Male Elbows

(Tube to NPT)



Tube O.D.	Male NPT	Part #
1/4"	1/4"	31095614DOT
1/4"	3/8"	31095618DOT
3/8"	1/4"	31096014DOT
3/8"	3/8"	31096018DOT

Y Connector

(NPT to Tube)



Tube O.D.	Male NPT	Part #
1/4"	1/4"	31485614DOT

Note: This fitting orientates 360° on its threaded base.

Note: This fitting orientates 360° on its threaded base.

Male Branch Tees

(Tube to Male NPT to Tube)



Tube O.D.	Male NPT	Part #
1/4"	1/4"	31085614DOT
1/4"	3/8"	31085618DOT
3/8"	1/4"	31086014DOT
3/8"	3/8"	31086018DOT

Note: This fitting orientates 360° on its threaded base.

Male Branch Tees

(Tube to Tube to Male NPT)



Tube O.D.	Male NPT	Part #
1/4"	1/4"	31035614DOT
1/4"	3/8"	31035618DOT
3/8"	1/4"	31036014DOT
3/8"	3/8"	31036018DOT

Note: This fitting orientates 360° on its threaded base.

Unions

(Tube to Tube)



Tube O.D.	Part #
1/4"	31065600DOT
3/8"	31066000DOT

Union Elbows

(Tube to Tube)



Tube O.D.	Part #
1/4"	31025600DOT
3/8"	31026000DOT

Union Tees

(Tube to Tube to Tube)



Tube O.D.	Part #
1/4"	31045600DOT
3/8"	31046000DOT

Y Unions

(Tube to Tube)



Tube O.D.	Part #
1/4"	31405600DOT
3/8"	31406000DOT

D.O.T. Push-In Fittings

See current Dixon Price List for a complete list of part numbers and pricing.

Materials:

- Body (straights) tube, supports and grippers: brass CA360
- Forged elbows and tees: brass CA377
- O-ring: Buna N
- Thread sealant: Loctite 516

Working Pressure: Vacuum to **150 PSI**

Working Temperature: **-40°F** to **200°F**

Threads: NPTF standard

Compatible Tubing: Designed for use with SAE J844 nylon tubing meets Department of Transportation FMVSS-106

Male Elbows

(Tube to Male NPT)

Tube O.D.	Male NPT	Part #
1/4"	1/8"	AQ69DOT4x2
1/4"	1/4"	AQ69DOT4x4
3/8"	1/4"	AQ69DOT6x4



Male Connectors

(Tube to Male NPT)

Tube O.D.	Male NPT	Part #
1/4"	1/8"	AQ68DOT4x2
1/4"	1/4"	AQ68DOT4x4
1/4"	3/8"	AQ68DOT4x6
3/8"	1/4"	AQ68DOT6x4
3/8"	3/8"	AQ68DOT6x6



Swivel Male Elbows

(Tube to Male NPT)

Tube O.D.	Male NPT	Part #
1/4"	1/8"	AQ69DOTS4x2
1/4"	1/4"	AQ69DOTS4x4
1/4"	3/8"	AQ69DOTS4x6
3/8"	1/4"	AQ69DOTS6x4
3/8"	3/8"	AQ69DOTS6x6



Swivel Male Branch Tees

(Tube to Male NPT)

Tube O.D.	Male NPT	Part #
1/4"	1/8"	AQ71DOTS4x2
1/4"	1/4"	AQ71DOTS4x4



Swivel Male Branch Tees

(Tube to Tube)

Tube O.D.	Male NPT	Part #
1/4"	1/8"	AQ72DOTS4x2
1/4"	1/4"	AQ72DOTS4x4



Union Tees

(Tube to Tube)

Tube O.D.	Part #
1/4"	AQ64DOT4
3/8"	AQ64DOT6



Union Connectors

(Tube to Tube)

Tube O.D.	Part #
1/4"	AQ62DOT4
3/8"	AQ62DOT6



D.O.T. Air Brake Tubing Rolls

- Meets Department of Transportation FMVSS-106 nylon material conforming to SAE J844
- Shipped in 100' lengths
- Working Pressure: **150 PSI**
- Temperature Range: **-40°F** to **200°F**

Size O.D.	Length	Tubing Color	Part #	Working Pressure
1/4"	100'	black	J844-04-BL-100	150
1/4"	100'	blue	J844-04-B-100	150
1/4"	100'	red	J844-04-R-100	150
3/8"	100'	black	J844-06-BL-100	150
3/8"	100'	blue	J844-06-B-100	150
3/8"	100'	red	J844-06-R-100	150



King Combination Nipples

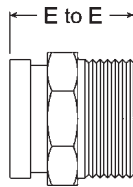


Hose nipples, made from tubular stock, to fit straight end hose. Threaded end, in all styles, has male NPT thread. Combination nipples are recommended for low-pressure discharge and suction service for compatible liquids. **Not for compressible products such as air or nitrogen on sizes 1¼" and above.** The working pressure of combination nipples will vary with the size and construction of the hose, the type and number of clamps used, clamp placement, proper installation of clamps, temperature and product being conveyed. In accordance with the RMA bulletin for oil suction and discharge hose, a coupled length of hose, in any size should be tested to 1½ times the working pressure and held for fifteen minutes without leaking or coupling movement. Consult Dixon for recommendations specific to the application. **King Combination Nipples are not recommended for steam.**

Adapter Nipples

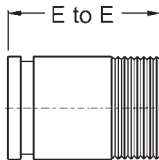
- These fittings are designed to provide minimum pressure drop and uniform strength.
- Maximum working pressure is **1000 PSI**.

Short Hex Style



Nominal Size	Part #	E to E
2"	A712S	2-3/8"
2½"	A7125S	2-5/8"
3"	A713S	2-7/8"
4"	A714S	3-1/2"

Long Pipe Style



Nominal Size	Part #	E to E
2"	A712	4"
2½"	A7125	4"
3"	A713	4"
4"	A714	6"
5"	A715	6"
6"	A716	6"

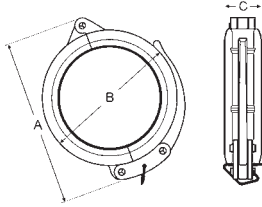
Victaulic x Weld



Size	Aluminum Part #	Carbon Steel Part #	Stainless Steel Part #
2"	AVN2000-200	VN2000-200	VNR2000-200
2½"	AVN2500-200	VN2500-200	VNR2500-200
3"	AVN3000-200	VN3000-200	VNR3000-200
4"	AVN4000-200	VN4000-200	VNR4000-200

Quick Release Couplings

Quick release couplings are specially designed for applications requiring a quick connection and/or disconnection of a pipe joint. A locking pin through the handle prevents accidental opening of the coupling. Ductile iron body with zinc plating and steel safety clip.



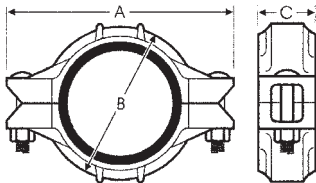
Interchangeable with:
Victaulic's #78
Grinnell's #7003



Part #	Nominal Size	Pipe O.D.	Max PSI	Max End Load lbs.	Coupling Dimensions			Approximate Weight Lbs.
					A	B	C	
H315BU	1½"	1.900"	500	850	4-3/4"	3-1/2"	1"	1.5
H32BU	2"	2.375"	500	1329	5-1/2"	3-3/4"	1-3/4"	2.5
H325BU	2½"	2.875"	500	2120	5-7/8"	4-3/4"	1-7/8"	4.0
H33BU	3"	3.500"	500	2886	7-1/4"	5-1/4"	1-3/4"	3.8
H34BU	4"	4.500"	500	4771	8-1/2"	6-1/2"	2"	6.0
H36BU	6"	6.625"	500	10341	10-5/8"	8-1/2"	2"	8.6

Lightweight Flexible Couplings

Lightweight flexible couplings are designed for applications requiring moderate internal pressure or where weight is a factor. Applications include; general purpose, mining, irrigation, and compressed air where a deflection of 5% or less is required. Ductile iron body with rust inhibiting paint. **UL Listed and FM approved.**



Interchangeable with:
Victaulic's #75
Grinnell's #7000



Part #	Nominal Size	Pipe O.D.	Max PSI	Max End Load lbs.	Coupling Dimensions			Bolts		Approximate Weight Lbs.
					A	B	C	Qty.	Size	
L215BU	1½"	1.900"	500	1418	4-1/2"	2-7/8"	1-3/4"	2	3/8" x 1-7/8"	1.5
L02BU	2"	2.375"	500	2215	5-5/32"	3-11/32"	1-3/4"	2	3/8" x 1-7/8"	1.7
L025BU	2½"	2.875"	300	3246	5-25/32"	3-29/32"	1-3/4"	2	3/8" x 2"	2.2
L03BU	3"	3.500"	300	4811	6-35/64"	4-3/8"	1-51/64"	2	1/2" x 2-1/2"	2.8
L04BU	4"	4.500"	300	6362	8-3/64"	5-21/32"	1-15/16"	2	1/2" x 2-3/4"	3.7
L05BU	5"	5.563"	300	9722	9-1/2"	6-3/4"	2"	2	5/8" x 3-1/4"	5.7
L06BU	6"	6.625"	300	13789	10-53/64"	7-7/8"	2"	2	5/8" x 3-1/4"	7.4

API Certified Permanently Attached Petroleum Couplings

The following fittings have been tested and are compliant with API 1529 5th edition. Coupling procedures, ferrule recommendations and API test data are available upon request, please contact the factory.



520-H Series Male

Hose Size	Thread	Part #
1"	NPT	H5212-A
1¼"	NPT	H5222-A
1½"	NPT	H5232-A
2"	NPT	H5242L-A
2½"	NPT	H5252L-A
3"	NPT	H5262L-A
4" *	NPT	H5282L-A



520-H Series Female

Hose Size	Thread	Assembly Part # with Buna washer
1"	NPSH	H5211-A-BU
1¼"	NPSH	H5221-A-BU
1½"	NPSH	H5231-A-BU
2"	NPSH	H5241L-A-BU
2½"	NPSM	H5251L-A-BU
3"	NPSM	H5261L-A-BU
4" *	NPSM	H5281L-A-BU

* Please contact the factory for 4" API requirements.

520-H Series Ferrules

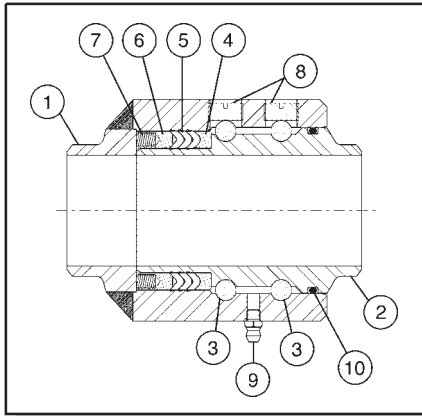


Hose I.D.	Hose O.D. Range		Brass Part #
	From	To	
1"	1-24/64"	1-26/64"	R1AAAS-A
	1-27/64"	1-29/64"	R1AAS-A
	1-30/64"	1-32/64"	R1AS-A
	1-33/64"	1-35/64"	R1BS-A
	1-36/64"	1-38/64"	R1CS-A
	1-39/64"	1-41/64"	R1DS-A
	1-42/64"	1-44/64"	R1ES-A
	1¼"	1-39/64"	1-42/64"
1-43/64"		1-46/64"	R125AS-A
1-47/64"		1-50/64"	R125BS-A
1-51/64"		1-54/64"	R125CS-A
1-55/64"		1-58/64"	R125DS-A
1-59/64"		1-62/64"	R125ES-A
1½"	1-54/64"	1-57/64"	R15AAAS-A
	1-58/64"	1-62/64"	R15AAS-A
	1-63/64"	2-2/64"	R15AS-A
	2-3/64"	2-6/64"	R15BS-A
	2-7/64"	2-11/64"	R15CS-A
	2-12/64"	2-14/64"	R15DS-A
	2-15/64"	2-19/64"	R15ES-A

Hose I.D.	Hose O.D. Range		Stainless Steel Part #
	From	To	
2"	2-31/64"	2-34/64"	R2ASS-A
	2-35/64"	2-38/64"	R2BSS-A
	2-39/64"	2-42/64"	R2CSS-A
	2-43/64"	2-46/64"	R2DSS-A
	2-47/64"	2-50/64"	R2ESS-A
	2½"	2-62/64"	3-1/64"
3-2/64"		3-6/64"	R25BSS-A
3-7/64"		3-11/64"	R25CSS-A
3-12/64"		3-16/64"	R25DSS-A
3"	3-17/64"	3-21/64"	R25ESS-A
	3-35/64"	3-39/64"	R3AASS-A
	3-40/64"	3-45/64"	R3ASS-A
4"	3-46/64"	3-50/64"	R3BSS-A
	3-51/64"	3-54/64"	R3CSS-A
	3-55/64"	3-59/64"	R3DSS-A
4"	4-46/64"	4-48/64"	R4ESS-A
	4-49/64"	4-51/64"	R4FSS-A
	4-52/64"	4-54/64"	R4GSS-A
	4-55/64"	4-57/64"	R4HSS-A
	4-58/64"	4-59/64"	R4KSS-A
	4-60/64"	4-62/64"	R4LSS-A
	4-63/64"	5"	R4MSS-A

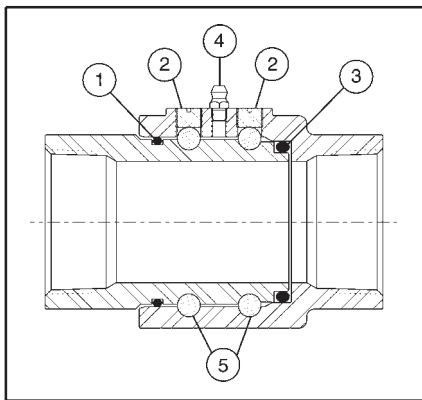
Swivel Joints

V-ring Type



- 1) body
- 2) sleeve
- 3) ball bearings
- 4) seal retainer
- 5) V-ring (pressure) seal
- 6) spring retainer
- 7) spring
- 8) ball retainer screw
- 9) grease fitting
- 10) O-ring (dust) seal

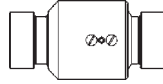
O-ring Type



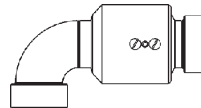
- 1) O-ring (dust) seal
- 2) ball retainer screw
- 3) O-ring (pressure) seal
- 4) grease fitting
- 5) ball bearings

single plane

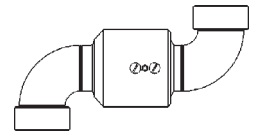
Style 20



Style 30

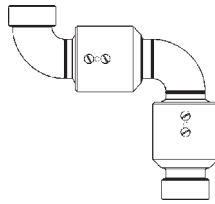


Style 40

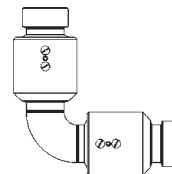


double plane

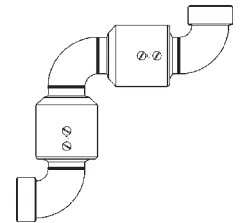
Style 50



Style 60

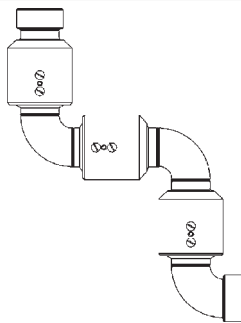


Style 70

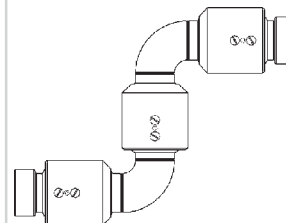


triple plane

Style 80



Style 10



V-ring type available in carbon steel and stainless steel. O-ring type available in aluminum, brass, iron, steel and stainless steel. Sizes from 1" - 8". Pressures to **1,000 PSI**.

For more information, see the Dixon Swivel Price List

Cam and Groove Couplings

- Sizes available from 1/2" through 8"
- Swaged connections available
- Interchange with products manufactured to MIL-C-27487F
- Available in aluminum, brass, iron, stainless steel, plastic

EZ Boss-Lock



Boss-Lock



Dixon

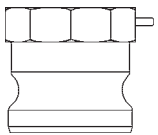


- Extremely easy to open and close without inserting clips or pins. Ideal for vibration tolerant locking.
- Resistant to accidental disconnection when dragged.

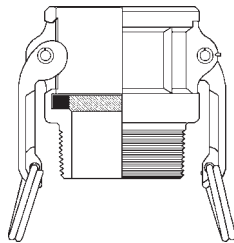
- Cast-in lugs allow safety clips to be attached once the lugs are passed through slots in the special cam lever arms. These clips prevent the coupler from being unlocked until they are removed, providing a **positive locking action**.

- Durable stainless steel cam arm pins will not rust or bind.
- Recess holds gasket firmly in place, ensuring proper placement.
- Long shank design allows proper banding thus eliminating the major cause of hose damage.

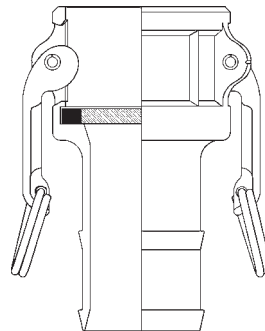
See current Dixon Price List for complete pricing and part#'s.



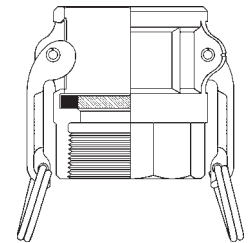
Type A
(male adapter x female NPT)



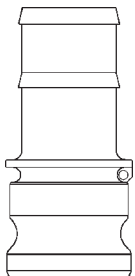
Type B
(female coupler x male NPT)



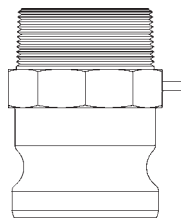
Type C
(female coupler x hose shank)



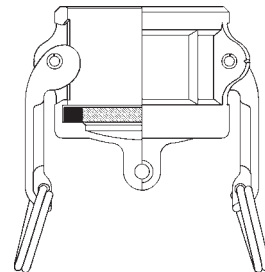
Type D
(female coupler x female NPT)



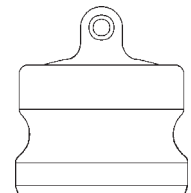
Type E
(male adapter x hose shank)



Type F
(male adapter x male NPT)



Type DC *
(dust cap)



Type DP *
(dust plug)

* Dust caps and dust plugs are NOT to be used in pressure applications for safety and environmental reasons.

Dixon Adapters and Couplers x Round Tank Truck Flange

See gaskets on page 7.



Adapter x round tank truck flange

Size	Aluminum Part #	Stainless Steel Part #
3"	300-ALT-AL	300-ALT-SS
3" x 4"	3040ALT-AL	---
4"	400-ALT-AL	400-ALT-SS
6"	600-ALT-AL	---



Coupler x round tank truck flange

Size	Aluminum Part #
3"	300-DLT-AL
3" x 4"	3040DLT-AL
4"	400-DLT-AL
6"	600-DLT-AL



4" angled adapter x round tank truck flange

Size	Part #	Description
4" x 4"	40022ALTAL	4" adapter at a 22½° angle from a round tank truck flange



4" angled coupler x round tank truck flange

Size	Part #	Description
4" x 4"	40022DLTAL	4" coupler at a 22½° angle from a round tank truck flange

Adapters and Couplers with Straight Pipe Thread (NPSM)

For delivery of dry goods



Adapter

Size	Aluminum Part #
4"	400-AS-AL



Boss-Lock Coupler

Size	Aluminum Part #	Stainless Steel Part #
4"	ADS400	RDS400



Dixon Coupler

Size	Aluminum Part #	Iron Part #
4"	400-DS-AL	400-DS-MI

Vegetable fiber gaskets are standard in threaded end. Replacement fiber gasket **Part # 400GAGFI**

Dixon Tank Car Fittings

With Standard RR Tank Car Thread



Tank Car Adapter

Size	Aluminum Part #	Brass Part #	Iron Part #	Stainless Steel Part #
2" x 5"	200-TCA-AL	---	---	200-TCA-SS
3" x 5"	300-TCA-AL	300-TCA-BR	300-TCA-MI	300-TCA-SS
4" x 5"	400-TCA-AL	400-TCA-BR	---	400-TCA-SS



This unit has a long handle brass swivel nut and a swivel retaining ring.

45° Tank Car Adapter with Swivel Nut

Size	Part #
4" x 5"	40A-45TC-AL

Dixon Railroad Tank Car Gaskets

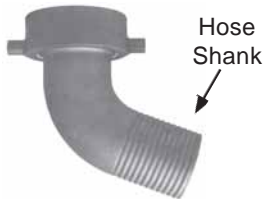
Standard

Teflon® Envelope

Part #	Size	Description	OD	ID	Thickness
500GTCABU	5"	Buna-N (Standard)	5-1/4"	3-7/8"	1/8"
500GTCAVI	5"	Viton®	5-1/4"	3-7/8"	1/8"
500GTCATF *	5"	Teflon® with Buna-N Filler	5-1/4"	3-13/16"	3/16"
500GTCATV *	5"	Teflon® with Viton® Filler	5-1/4"	3-13/16"	3/16"
G9	5"	leather	5-1/4"	3-1/2"	3/16"

* This gasket is also compatible in all Dixon fittings, but may be too thick for insertion in some older Dixon fittings.

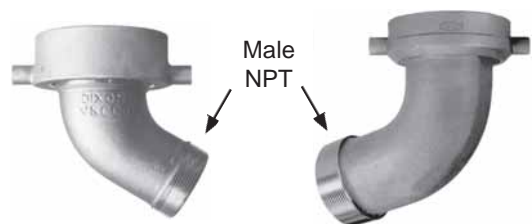
Railroad Tank Car Connections



Hose Shank

Style S²

Swivel Nut ¹	Shank	Aluminum Part #	Iron Part #
5"	3"	ATCS30	TCS30
5"	4"	ATCS40	TCS40



Male NPT

Style T²

Swivel Nut ¹	Male NPT	Aluminum Part #	Iron Part #	Stainless Steel Part #
5"	3"	ATCT30	TCT30	RTCT30
5"	4"	ATCT40	TCT40	RTCT40



Cam & Groove Adapter

Style A²

Swivel Nut ¹	Adapter	Stainless Steel Part #
5"	3"	RTCA30
5"	4"	RTCA40 ³

Note: Stainless steel railroad tank car connections are not compatible with aluminum and brass

¹ All swivel nuts have standard Railroad Tank Car Thread.

² All sizes 20° below horizontal, except 3" threaded, which is 30° below horizontal.

³ Part is a welded fabrication

Tank car connections are also available in other materials and in 2" and 2½" sizes. Consult factory for pricing and availability.

Spanner Wrench



Part #	Nuts used on
G10	aluminum and iron

Long Handle Wrench



Part #	Nuts used on
LHW	stainless steel

LIMITED WARRANTY

Dixon Valve and Coupling Company, (herein called "Dixon") warrants the products described herein, and manufactured by Dixon to be free from defects in material and workmanship for a period of one (1) year from date of shipment by Dixon under normal use and service. It's sole obligation under this warranty being limited to repairing or replacing, as hereinafter provided, at its option any product found to Dixon's satisfaction to be defective upon examination by it, provided that such product shall be returned for inspection to Dixon's factory within three (3) months after discovery of the defect. The repair or replacement of defective products will be made without charge for parts or labor. This warranty shall not apply to: (a) parts or products not manufactured by Dixon, the warranty of such items being limited to the actual warranty extended to Dixon by its supplier; (b) any product that has been subject to abuse, negligence, accident, or misapplication; (c) any product altered or repaired by others than Dixon; and (d) to normal maintenance services and the replacement of service items (such as washers, gaskets and lubricants) made in connection with such services. To the extent permitted by law, this limited warranty shall extend only to the buyer and any other person reasonably expected to use or consume the goods who is injured in person by any breach of the warranty. No action may be brought against Dixon for an alleged breach of warranty unless such action is instituted within one (1) year from the date the cause of action accrues. This limited warranty shall be construed and enforced to the fullest extent allowable by applicable law.

OTHER THAN THE OBLIGATION OF DIXON SET FORTH HEREIN, DIXON DISCLAIMS ALL WARRANTIES, EXPRESS OR IMPLIED, INCLUDING BUT NOT LIMITED TO ANY IMPLIED WARRANTIES OF MERCHANTABILITY OR FITNESS FOR A PARTICULAR PURPOSE, AND ANY OTHER OBLIGATION OR LIABILITY. THE FOREGOING CONSTITUTES DIXON'S SOLE OBLIGATION WITH RESPECT TO DAMAGES, WHETHER DIRECT, INCIDENTAL OR CONSEQUENTIAL, RESULTING FROM THE USE OR PERFORMANCE OF THE PRODUCT.

Some Products and Sizes May Be Discontinued When Stock Is Depleted, Or May Require A Minimum Quantity For Ordering.



The Right Connection™

Through its divisions and affiliated companies, Dixon is recognized as the premier manufacturer and supplier of hose fittings and accessories spanning a wide range of industrial uses. Dixon's reach includes products for fire protection, food, dairy processing, beverage and brewery, mobile tankers, mining, construction, chemical processing, petroleum, oilfields, refining, nuclear and manufacturing.



GOODYEAR
RUBBER PRODUCTS INC.

Call Toll Free: 1-866-711-4673
WebSales@GoodyearRubberProducts.com

**We Ship
World Wide**



The Right Connection™



FloTech Overfill Detection Systems

GOODYEAR
RUBBER PRODUCTS INC.

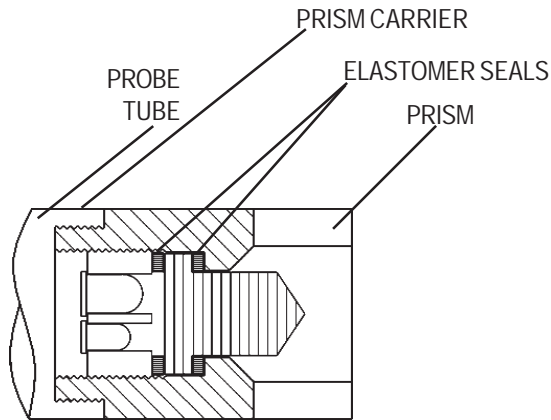
Call Toll Free: **1-866-711-4673**

WebSales@GoodyearRubberProducts.com

**We Ship
World Wide**

007

Knowledge and Experienced Design



"Best in Class" Technical Support

Easy Installation

Products In Stock, Delivered On Time

We Back A Great Product With An Unparalleled Warranty

Dixon electronic staff are seasoned veterans when it comes to overfill systems. Our employees have years of experience in electronics, manufacturing and most important, with the in-the-field trouble shooting of overfill terminal and tanker installation. That is why we have focused on easy, drop-in replacement features with improved probe life, and why we have included heavy duty hardware made from premium, corrosion resistant materials.

Trouble Free Probes and Sensors:

FloTech brand probes/sensors do not use epoxy bonded prisms as a means to seal the prism. Therefore, they are not subject to malfunction due to epoxy/prism interface separation. FloTech brand probes/sensors incorporate a double elastomer design which seals and secures the sensitive optic prism tip. The elastomer seals are flexible allowing thermal expansion and resistance to steam cleaning and petroleum chemical attack.

Our goal is to provide the most reliable overfill components and systems available on the market today. Over the years the FloTech brand has earned a reputation for reliable overfill components compatible with other common systems. Don't take our word on this, ask one of our many customers!

FloTech brand items are shipped with easy to follow installation instructions and manuals. **If you need a little extra help call our toll free technical service hot line** In fact, call us with any overfill system questions (regardless of the brand) and we will work with you to help solve the problem.

FloTech brand components are manufactured to be installed easily, even on other systems. We designed them to be drop-in compatible with API systems being used around the world.

FloTech brand products are stocked at locations throughout the United States and Canada. Most orders can be processed and delivered within 24 hours. We know that downtime costs you money so we do everything we can to ensure you receive your parts when you need them.

FloTech brand products are covered by a three year limited warranty. The warranty is part of the total system that makes FloTech overfill detection the best choice for your operation. See limited warranty on page 15 for details.

Table of Contents

Checkmate Retain / Overfill System	4	Trailer Identification Module	11
Top Only Retain / Overfill Systems	5	FT155 Dummy	12
FT150 Probes	6	Grounding Ball	12
FT151 Thermo-Optic Sensors	6	Cables and Glands	12
FT152 Retain Sensor	6	Optic System Tester	12
FT208 Retain/Overfill Monitor	6	API Compatible Rack Cords	13
R/OM Retain / Overfill System	7	Replacement Parts	13
FT201 Replacement Probes	8	Comparison Reference Chart	14-15
FT202 Sensors	8		
FT206 Retain Sensor	8		
FT204P Retain / Overfill Monitors	8		
API Optic System	9		
Optic Overfill Kits	9		
FT100 Replacement Probes	9		
FT101 Sensors	9		
FT103 Monitors	9		
Sockets	10		
J-slot Wear Rings	10		
EZ-Cept	11		

We Commit

- To ensure that internal and external customer needs are identified and that our products and services meet these needs.
- To fully meet and exceed the requirements of the ISO 9001 Quality Program.
- To strive for quality in each and every phase of our business.
- To exceed competitor's quality.
- To provide systems and training for all Dixon employees.
- To create an environment that will allow each employee to do it right the first time, and accept the responsibility for quality in each and every task they perform.
- That no employee will ever be called on to do anything morally, legally or ethically wrong.

Product Changes and Corrections

Dixon has gone to considerable effort to assure the accuracy of the information provided. Please report any irregularities found for clarification or correction. Dixon does reserve the right to modify or change product specification or to withdraw product offerings at any time without prior notice.

Checkmate Retain Overfill System 2-Wire Black and White

Dixon is proud to introduce Checkmate with advanced automatic self-checking technology and performance enhancing features not found in any other system!

The FloTech Checkmate has a long list of features that greatly improve reliability and provide years of trouble free service. Checkmate is compatible with the Scully brand black and white two-wire, overfill and retain system. The components are drop-in replacements and compatible with the signal format required by Scully brand on-board monitors.



FT208 Checkmate Retain / Overfill Monitors

- Easy to follow programming guide for a maximum of eight compartments "top only" or "top and bottom" service with the same monitor
- Monitor can be programmed up to 100,000 times without sending it back to the factory
- Monitor resists oxidation of wire connections
- Stainless steel terminal blocks resist rusting of contacts
- Stainless steel hardware used on all products
- Powder coated color matched components for exceptional appearance
- Auxiliary input for Hobbs type switches
- Power control relay output
- Drop-in compatibility, see compatibility chart on pages 14 and 15
- Factory Mutual and Canadian Standards Association approved
- Wide input power 12-24 VDC

Checkmate Retain Overfill System 2-Wire Black and White

Checkmate Overfill Systems (top only)

FloTech brand overfill system kits provide everything needed to install a new overfill system on your tank. One through eight compartment kits are available off the shelf. FloTech brand kits provide everything needed to make a professional installation. Systems include; 1 FT208 monitor, 1 FT151 sensor per compartment, 1 FT404 cable and 1 FT402 (20pcs.) strain reliefs. **Sockets sold separately.**

Special length probes are available. Please refer to comparison chart on pages 14 and 15 for cross references to other manufacturer model numbers.

Part#	Description
FT2801	Checkmate, 1 compartment system (top only)
FT2802	Checkmate, 2 compartment system (top only)
FT2803	Checkmate, 3 compartment system (top only)
FT2804	Checkmate, 4 compartment system (top only)
FT2805	Checkmate, 5 compartment system (top only)
FT2806	Checkmate, 6 compartment system (top only)
FT2807	Checkmate, 7 compartment system (top only)
FT2808	Checkmate, 8 compartment system (top only)
FT2801-12	Checkmate, 1 compartment system (top only) - 12" probes
FT2802-12	Checkmate, 2 compartment system (top only) - 12" probes
FT2803-12	Checkmate, 3 compartment system (top only) - 12" probes
FT2804-12	Checkmate, 4 compartment system (top only) - 12" probes
FT2805-12	Checkmate, 5 compartment system (top only) - 12" probes
FT2806-12	Checkmate, 6 compartment system (top only) - 12" probes
FT2807-12	Checkmate, 7 compartment system (top only) - 12" probes
FT2806-12	Checkmate, 8 compartment system (top only) - 12" probes



**FT2804 Retain / Overfill Kit
(top only)**

Checkmate Retain / Overfill Systems (retain and overfill)

Systems include: 1 FT208 monitor, 1 FT151 overfill and FT152 retain sensor per compartment, 1 FT404-150 cable and 1 FT403 (30 pcs.) strain reliefs. **Sockets sold separately.**

Special length probes are available. Please refer to comparison chart on pages 14 and 15 for cross references to other manufacturer model numbers.

Part#	Description
FT2811	Checkmate, 1 compartment system (retain and overfill)
FT2812	Checkmate, 2 compartment system (retain and overfill)
FT2813	Checkmate, 3 compartment system (retain and overfill)
FT2814	Checkmate, 4 compartment system (retain and overfill)
FT2815	Checkmate, 5 compartment system (retain and overfill)
FT2816	Checkmate, 6 compartment system (retain and overfill)
FT2817	Checkmate, 7 compartment system (retain and overfill)
FT2818	Checkmate, 8 compartment system (retain and overfill)
FT2811-12	Checkmate, 1 compartment system (retain and overfill) - 12" probes
FT2812-12	Checkmate, 2 compartment system (retain and overfill) - 12" probes
FT2813-12	Checkmate, 3 compartment system (retain and overfill) - 12" probes
FT2814-12	Checkmate, 4 compartment system (retain and overfill) - 12" probes
FT2815-12	Checkmate, 5 compartment system (retain and overfill) - 12" probes
FT2816-12	Checkmate, 6 compartment system (retain and overfill) - 12" probes
FT2817-12	Checkmate, 7 compartment system (retain and overfill) - 12" probes
FT2818-12	Checkmate, 8 compartment system (retain and overfill) - 12" probes



**FT2814 Retain / Overfill Kit
(retain and overfill)**

Checkmate Retain Overfill System

2-Wire Black and White

FT150 Replacement Black and White 2-Wire Probes



FT150 Probe

The FT150 thermo-optic 2 wire probe is electronically and mechanically compatible for drop-in replacement of commonly used 2-wire probes with black and white wires. The FT150 provides the fast response and reliability of optic technology in a thermistor application. All FloTech brand probes come with a unique dual elastomer seal for prisms and a smooth tapered tip design for easy installation without gasket damage. Custom lengths available upon request. Compatible with the Scully Intellicheck system (probe housing is part # FT90001).

Part #	Description
FT150	Replacement probe, thermo-optic, 2 wire (black and white), 7"
FT150-12	Replacement probe, thermo-optic, 2 wire (black and white), 12"
FT150-18	Replacement probe, thermo-optic, 2 wire (black and white), 18"
FT155	Dummy

Note: FT155 dummy can be found on page 12.

FT151 Thermo-Optic Sensors



FT151 Sensor

The FT151 thermo-optic sensor contains the FT150 probe and a 2" NPT housing. Our probe holder is cast aluminum with a 2" NPT mounting thread, heavy duty stainless steel hardware, and Viton® probe seal. Install in a 2" NPT tapped hole or 2-3/8" hole using the gasket and locking nut provided. All screws and rings are heavy duty stainless steel for easy assembly and long life. Compatible with Scully Intellicheck monitors (probe housing is part # FT9000)

Part #	Description
FT151	Sensor, thermo-optic, 2 wire (black and white), 2" NPT housing with 7" probe
FT151-12	Sensor, thermo-optic, 2 wire (black and white), 2" NPT housing with 12" probe
FT151-18	Sensor, thermo-optic, 2 wire (black and white), 2" NPT housing with 18" probe

FT152 Retain Sensor



FT152 Retain Sensor

The FT152 retain sensor is a bottom retain detection sensor. The sensor has a 1/2" NPT mounting. Sensor is shipped with a 1/2" NPT weld-on aluminum half coupling for mounting. The main sensor portion is stainless steel to prevent galling in the trailer. The wiring box is plastic to prevent corrosion and is removable to facilitate installation. The side ports come out of the same side (like the overfill sensors) to make wiring easier. The FT152 is mechanically and electrically compatible with Scully model 08819 and the Scully Intellicheck System.

Part #	Description
FT152	Scully retain sensor, 2 wire (black and white)

FT208 Checkmate Retain / Overfill Monitor



FT208 Monitor

The FT208 Checkmate is compatible with the Scully brand black and white two-wire thermo-optic (thermistor) overfill and retain system. Components are drop-in replacement and compatible with the signal format required by the Scully Intellicheck brand on-board monitors.

Easy to follow programming guide for a maximum of eight compartments, programmable for number of compartments, top only, top and bottom service with the same monitor.

Part #	Description
FT208	Checkmate monitor, programmable for top only, or top and bottom sensors, with housing
FT207	Checkmate replacement monitor module

R/OM Type Retain / Overfill System Red and Black 2-Wire

These systems incorporate the preferred optic technology (red and black 2 wire) using top overfill as well as bottom retain sensors. Retain sensors inform the terminal if the compartments are empty or if product has been retained. Monitors include advanced diagnostic capabilities as well as translation abilities for all socket types (optic, thermistor or float). The system offers true load at any rack compatibility.

Retain / Overfill System (top only)

FloTech brand overfill system kits provide everything needed to install a new API compatible overfill system on your tank. One through six compartment kits are available off the shelf.

Systems include: 1 FT204P monitor, 1 FT202 sensor per compartment, 1 FT401 100' cable and 1 FT402 (20 pcs.) strain reliefs. **Sockets sold separately.**

Special length probes are available. Please refer to comparison chart on pages 14 and 15 for cross references to other manufacturer model numbers.



FT2104 Retain / Overfill Kit
(top only)

Part #	Description
FT2101	R/OM type, 1 compartment system (top only)
FT2102	R/OM type, 2 compartment system (top only)
FT2103	R/OM type, 3 compartment system (top only)
FT2104	R/OM type, 4 compartment system (top only)
FT2105	R/OM type, 5 compartment system (top only)
FT2106	R/OM type, 6 compartment system (top only)
FT2101-12	R/OM type, 1 compartment system (top only) - 12" probes
FT2102-12	R/OM type, 2 compartment system (top only) - 12" probes
FT2103-12	R/OM type, 3 compartment system (top only) - 12" probes
FT2104-12	R/OM type, 4 compartment system (top only) - 12" probes
FT2105-12	R/OM type, 5 compartment system (top only) - 12" probes
FT2106-12	R/OM type, 6 compartment system (top only) - 12" probes

Retain / Overfill Systems (retain and overfill)

FloTech brand overfill system kits provide everything needed to install a new API compatible retain/overfill monitor top and bottom system. One through six compartment kits are available off the shelf.

Systems include: 1 FT204P monitor, 1 FT202 sensor for each compartment, 1 FT206 retain sensor per compartment, 1FT401 100' cable and 1 FT402 (20 pcs.) strain reliefs. **Sockets sold separately.**

Special length probes are available. Please refer to comparison chart on pages 14 and 15 for cross references to other manufacturer model numbers.



FT2004 Retain / Overfill Kit
(retain and overfill)

Part #	Description
FT2001	R/OM type, 1 compartment system (retain and overfill)
FT2002	R/OM type, 2 compartment system (retain and overfill)
FT2003	R/OM type, 3 compartment system (retain and overfill)
FT2004	R/OM type, 4 compartment system (retain and overfill)
FT2005	R/OM type, 5 compartment system (retain and overfill)
FT2006	R/OM type, 6 compartment system (retain and overfill)
FT2001-12	R/OM type, 1 compartment system (retain and overfill) - 12" probes
FT2002-12	R/OM type, 2 compartment system (retain and overfill) - 12" probes
FT2003-12	R/OM type, 3 compartment system (retain and overfill) - 12" probes
FT2004-12	R/OM type, 4 compartment system (retain and overfill) - 12" probes
FT2005-12	R/OM type, 5 compartment system (retain and overfill) - 12" probes
FT2006-12	R/OM type, 6 compartment system (retain and overfill) - 12" probes

R/OM Type Retain / Overfill System Red and Black 2-Wire

FT201 Replacement Probes



FT201 Replacement Probes

The FT201 is a replacement probe for the FloTech brand FT202 sensor and is compatible with Civacon's 3150 two wire optic probe. The FloTech brand FT200 series probe uses our unique dual elastomer seal prism design to prevent fouling. Other sensor designs use epoxy which crack allowing fuel to leak into the optic path ultimately causing signal malfunction. Custom lengths available upon request (probe housing is part # FT9000).

Part #	Description
FT201	Replacement R/OM type, 2 wire (red and black) top probe, 7"
FT201-12	Replacement R/OM type, 2 wire (red and black) top probe, 12"
FT201-18	Replacement R/OM type, 2 wire (red and black) top probe, 18"

FT202 Sensors



FT202 Sensor

The FT202 sensor is a top overfill sensor and part of the FloTech brand retain/overflow monitoring system. The probe holder is cast aluminum with a 2" NPT mounting thread, heavy duty stainless steel hardware, and Viton® seals. The FT202 is mechanically and electrically compatible with the Civacon model 1050 two wire top sensor. The sensor is installed by threading it into a 2" NPT tapped hole or mounting it in a 2-3/8" hole secured by a gasket and metal locking nut. (probe housing is part # FT9000).

Part #	Description
FT202	Sensor R/OM type (red and black), top with 2" NPT housing, with 7" probe
FT202-12	Sensor R/OM type (red and black), top with 2" NPT housing, with 12" probe
FT202-18	Sensor R/OM type (red and black), top with 2" NPT housing, with 18" probe



FT206 Retain Sensor

FT206 Retain Sensor

The FT206 retain sensor is a bottom retain detection sensor and part of the FloTech brand retain/overflow monitoring system. The sensor has a 1/2" NPT mounting. Sensor comes with a 1/2" NPT weld-on aluminum half coupling for mouning. The main sensor portion is stainless steel to prevent galling in the trailer. The wiring box is plastic to prevent corrosion and is removable to facilitate installation. The side ports come out of the same side (like the overfill sensors) to make wiring easier. The FT206 is mechanically and electrically compatible with the Civacon model 1000 two wire retain sensor.

Part #	Description
FT206	Retain sensor R/OM type (red and black), 1/2" NPT sensor

FT204P Retain / Overfill Monitor



FT204P retain / overfill monitor

The FT204P retain/overflow monitor is designed to diagnose and monitor up to six compartments. The FT204P monitor will provide API compatible optic, thermistor, and float socket outputs for a true load at any rack compatibility.

FloTech's FT203P is a replacement chassis and is compatible with Civacon 3250 and 3252 on-board monitors.

Part #	Description
FT204P	R/OM type onboard monitor, with housing
FT203P	Replacement chassis, R/OM type on-board

API Optic System 5-Wire

FloTech series FT100 and FT101 sensors are compatible with Scully brand 5 wire optic sensors. FloTech API compatible overfill systems feature long service life and resistance to harsh environments typical on petroleum cargo tanks. Long service life and compatibility make FloTech the ideal choice for demanding cargo applications.

Optic Overfill Kits

FloTech brand overfill system kits provide everything needed to install a new API compatible overfill system on your tank. One through six compartment kits are available off the shelf.

Systems include: 1 FT103 monitor, 1 FT101 sensor per compartment, 1 FT400 100' cable and 1 FT402 (20 pcs.) strain reliefs. **Sockets sold separately.**

Part #	Description
FT1001	API compatible 1 compartment system (optic)
FT1002	API compatible 2 compartment system (optic)
FT1003	API compatible 3 compartment system (optic)
FT1004	API compatible 4 compartment system (optic)
FT1005	API compatible 5 compartment system (optic)
FT1006	API compatible 6 compartment system (optic)
FT1001-12	API compatible 1 compartment system (optic) - 12" probe
FT1002-12	API compatible 2 compartment system (optic) - 12" probe
FT1003-12	API compatible 3 compartment system (optic) - 12" probe
FT1004-12	API compatible 4 compartment system (optic) - 12" probe
FT1005-12	API compatible 5 compartment system (optic) - 12" probe
FT1006-12	API compatible 6 compartment system (optic) - 12" probe



Optic Overfill Kit

FT100 Replacement Probes

The FT100 replacement probe is electronically and mechanically compatible with the API optic or 5 wire signal format. The FT100 sensor features a dual prism seal design which is more reliable than other designs which glue in the prism using epoxies. Custom lengths are available upon request. The FT100 is compatible with Scully #09208 and Civacon #1300. (probe housing is part # FT9000).

Part #	Description
FT100	5 wire API optic probe, 7"
FT100-12	5 wire API optic probe, 12"
FT100-18	5 wire API optic probe, 18"



FT100 Replacement Probe

FT101 Sensors

The FT101 sensor is compatible with the API optic or 5 wire signal format. Our probe holder is cast aluminum with a 2" NPT mounting thread, heavy duty stainless steel hardware, and Vitor® seals. Install in a 2" NPT tapped hole or 2-3/8" hole using the provided gasket and locking nut. (probe housing is part # FT9000).

Part #	Description
FT101	Sensor, optic, 5 wire, 2" NPT housing with 7" probe
FT101-12	Sensor, optic, 5 wire, 2" NPT housing with 12" probe
FT101-18	Sensor, optic, 5 wire, 2" NPT housing with 18" probe



FT101 Sensor

FT103 Monitor

The FT103 API compatible monitor works with the FloTech API compatible sensor models FT101/100. This six channel monitor will provide API compatible optic, thermistor, and float socket outputs for a true load at any rack compatibility. Entity approved by CSA and FM to ensure safety. The FT102 replacement chassis is compatible with Civacon 3150 or Scully 08563 on-board monitors.

Part #	Description
FT103	API compatible on-board monitor, with housing
FT102	Replacement chassis, API compatible



FT103 Monitor

Sockets

Sockets allow the transfer of the electronic signal from the terminal control monitor to the tanker and return. Sockets will vary depending upon terminal equipment and regional regulations. We offer a full line of sockets for North American and international requirements.

FloTech brand sockets are mechanically and electronically compatible with the API RP1004 Rel. 2003 Bottom Loading Specification. Optic and thermistor socket face plates are hard coated aluminum alloy to prevent J-slot wear. All hardware and contact buttons are stainless steel to prevent corrosion. FloTech brand sockets are standard color coded to permit easy identification (optic sockets are blue, thermistors are green, and float are red). Colored caps are included for optic and thermistor models.

All sockets now incorporate the patented removable nose ring.

Aluminum Hardcoat J-Slot Wear Ring



FT300 Optic Socket



FT301 Thermistor Socket



FT302 Float Socket

Part #	Description
FT300	Optic socket API / WOGA, 6 pin and 3 J-slots
FT301	Thermistor socket, API, 8 pin and 4 J-slots
FT302	Float, API, J560 pin type socket
FT303	Optic socket, 6 pin and 4 J-slots (U.S.)
FT304	Thermistor socket, 10 pin and 4 J-slots (Canada, Europe)
FT305	Thermistor socket, J560 pin type
FT306	Optic socket, J560 pin type
FT307	Optic socket, 6 pin and 4 J-slots (Canada)
FT310	API optic face plate assembly, 6 pin, 3-J slots
FT311	API thermistor face plate assembly, 8 pin, 4-J slots
FT313	Optic pattern contact assembly with thermistor, 6 pin, 4-J slots
FT314	Thermistor face plate assembly (Canada/Europe), 10 pin 4-J slots
FT315	Thermistor replacement face plate, J560 type
FT316	Optic replacement face plate, J560 type
FT317	Optic pattern face plate assembly (Canada), 6 pin, 4-J slots
FT320	Blue optic dust cap
FT321	Green thermistor dust cap

GFL (Guaranteed for Life*) Series Stainless Steel J-Slot Wear Ring

GFL series stainless steel nose rings are now available on any configuration socket that you require. Our stainless steel J-slots outlast competitor versions because they are tougher and more corrosion resistant than any other on the market.

* GFL socket J-slots are so tough that they are "Guaranteed for Life" against wear. U.S. patent 6,824,423



Part #	Description
FT300SS	Optic socket API / WOGA, 6 pin and 3 J-slots GFL stainless wear ring
FT301SS	Thermistor socket, API, 8 pin and 4 J-slots GFL stainless wear ring
FT303SS	Optic socket, 6 pin and 4 J-slots (U.S.) GFL stainless wear ring
FT304SS	Thermistor socket, 10 pin and 4 J-slots (Canada, Europe) GFL stain.wear ring
FT307SS	Optic socket, 6 pin and 4 J-slots (Canada) GFL stainless wear ring
FT310SS	API optic face plate assembly, 6 pin, 3 J-slots GFL stainless wear ring
FT311SS	API thermistor face plate assembly, 8 pin, 4 J-slots GFL stainless wear ring
FT313SS	Optic pattern face plate assembly with thermistor, 6 pin, 4-J slots GFL stainless wear ring
FT314SS	Thermistor face plate assembly (Canada/Europe), 10 pin, 4-J slots GFL stainless wear ring
FT317SS	Optic pattern face plate assembly (Canada), 6 pin, 4 J-slots GFL stainless wear ring

Sockets

EZ-Cept Dual Socket Assembly

The EZ-Cept Dual API Socket Assembly has many features never before offered in an API socket. The EZ-Cept provides unprecedented durability, reliability and ease of installation.

Guaranteed for Life J-Slots

Our unique stainless steel alloy J-slot ring will probably outlast your trailer. The EZ-Cept dual socket includes the new guaranteed for life J-Slot wear ring.

Pre-Wired and Ready To Go

Installation is simple as the unit is provided pre-wired, tested and ready for installation. No more lone hours wiring and troubleshooting your socket connections. Simply bolt to the trailer and connect to the onboard monitor.

Ground Bolt and ID Chip Ready

The EZ-Cept is ground bolt and ID chip ready. Both ground bolt and ID chip are normally mounted inside the EZ-Cept housing to protect from the corrosive elements. Or if desired, the bolt can be mounted to the trailer frame and the wire connected to the EZ-Cept internal wire terminal.

Corrosion Resistant

Hard powder coated housing, stainless steel hardware and contacts and our unique keep dry enclosure design keeps your trailer in service and corrosion at bay. Take a close look at FloTech EZ-Cept - we challenge you to find a better constructed API socket on the market.

Patented

The EZ-Cept has so many innovative features it is covered by U.S. patent 6,824,423. Just another example of how FloTech is leading the way delivering reliability and innovation to our valued customers.



Part #	Description
FT390	3 J-slot, 6 pin optic, and 4 J-slot, 10 pin thermistor, horizontal mount, EZ-Cept dual socket assembly
FT390V	3 J-slot, 6 pin optic, and 4 J-slot, 10 pin thermistor, vertical mount, EZ-Cept dual socket assembly
FT391	Canadian 4 J-slot, 6 pin optic, and 4 J-slot, 10 pin thermistor, horizontal mount, EZ-Cept dual socket assembly
FT391V	Canadian 4 J-slot, 6 pin optic, and 4 J-slot, 10 pin thermistor, vertical mount, EZ-Cept dual socket assembly
FT390-20	3 J-slot, 6 pin optic, and 4 J-slot, 10 pin thermistor, horizontal mount, with 20' cable
FT390G	3 J-slot, 6 pin optic, and 4 J-slot, 10 pin thermistor, horizontal mount, with Scully ground hog
FT390GT	3 J-slot, 6 pin optic, and 4 J-slot, 10 pin thermistor, horizontal mount, with Scully ground hog and T.I.M.
FT390S	3 J-slot, 6 pin optic, and 4 J-slot, 10 pin thermistor, horizontal mount, with cust. supplied ground hog, T.I.M.
FT390T	3 J-slot, 6 pin optic, and 4 J-slot, 10 pin thermistor, horizontal mount, with T.I.M. chip
FT390G-20	3 J-slot, 6 pin optic, and 4 J-slot, 10 pin thermistor, horizontal mount, with Scully ground hog and 20' cable

Trailer Identification Module Chip Reader

The model FT530 Trailer Identification Module (T.I.M.) reader is designed to read and test Scully type T.I.M. modules mounted inside API compatible overfill sockets.

- Reads Scully type T.I.M. modules
- Backlit LCD display
- Solid aluminum construction
- Interchangeable Optic or Thermistor J-slot screws
- 5 year battery minimum depending on use

Part #	Description
FT530	Trailer identification module chip reader



FT155 Dummy

Dummies send a permissive signal for any missing compartments. For example, in the United States all overfill systems are formatted assuming a six compartment thermistor trailer. Therefore, the terminal controller must receive six permissive sensor signals to allow loading. One dummy can send up to five signals. Consequently a one to five compartment trailer will contain one FT155 dummy (wired to socket). In Canada, where eight channel systems are mandated, two FT155 dummies are needed with one to three compartment trailers and one FT155 for four to seven compartments. The FloTech FT155 thermistor dummy provides instant permissive signal in the coldest weather and is mechanically and electrically compatible with Scully and Civacon models.



FT155 Dummy

Part #	Description
FT155	Thermistor dummy, 5 compartment

Grounding Ball

When using the FloTech trailer mounted ground ball the trailer cannot be loaded unless the terminal ground is directly connected to the ground ball.



FT451 Grounding Ball

Part #	Description
FT451	Stainless steel grounding ball

Cables and Glands

Cables are color matched to commonly used overfill systems and have a tough, thick outer jacket resistant to oil, UV and abrasion. For watertight cable/sensor connections apply FloTech brand strain/relief sealing glands. Two packages are available: FT402 - 20 pieces for typical top only sensor connection systems or; FT403 - 30 pieces for typical top and bottom sensor connection systems.



Cables and Fittings

Part #	Description
FT400	5 conductor cable 100'
FT400-1000	5 conductor cable 1000 FT reel
FT401	7 conductor cable 100'
FT401-150	7 conductor cable 150'
FT401-1000	7 conductor cable 1000 FT reel
FT404	11 conductor cable 100'
FT404-150	11 conductor cable 150'
FT404-1000	11 conductor cable 1000' reel
FT402	strain relief fittings, 1/2" NPT, 1 box = 20 pcs.
FT403	strain relief fittings, 1/2" NPT, 1 box = 30 pcs.
FT405-500	Strain relief fittings, 1/2" NPT, 500 piece box

Optic System Tester

The FT520 optic test kit includes a Go, No/Go tester and test lead sets to test five wire optic probes, two wire optic probes, and on-board monitor socket outputs. It uses the same permissive signal verification as an optic rack monitor. Optional FT521, FT522, FT523 optic test plugs are available for an entire trailer Go, No/Go test.



FT520 Optic System

Part #	Description
FT520	Optic system tester
FT520CASE	Case only for FT520
FT520WOGA	Optic system tester with FT521 test plug no test leads
FT520WOGACASE	Optional case for FT520 WOGA
FT521	API optic test plug with six pins and three J-slots
FT522	Optic test plug with six pins and two or four J-slots
FT523	Optic test plug J-560 type
FT524	Thermistor socket test plug (US)
FT524-8	Thermistor socket test plug (Canada)

API Compatible Rack Cords

- FT600 and FT620 are compatible with API thermistor and optic configurations.
- Cord is available in coiled or straight lengths.
- Cord features a heavy highly visible safety orange jacket to meet trip hazard requirements.
- Cord is bonded mechanically and has superior abrasion and oil resistance.
- Cord sets are interchangeable with Scully and Civacon.
- Plug body is machined from 6061 aluminum and is color coded optic blue or thermistor green.
- Button contacts are made from 316 stainless steel to prevent corrosion or galling.
- All other hardware is stainless steel
- All wiring is compatible with standard Scully color codes and wiring number configurations.
- The 9 pin conductor is shielded to be compatible with Scully VIP system.



Model FT600
API Thermistor Assemblies

Model FT620
API Optic Assemblies

Part #	Description	Part #	Description
FT600	Plug w/ 30' coiled cable	FT620	Plug w/ 30' coiled cable
FT600S	Plug w/ 20' straight cable	FT620S	Plug w/ 20' straight cable
FT600SC	Plug w/ 20' straight cord set (Canada)	FT621	Replacement plug body
FT601	Replacement plug body	FT622	Replacement 30' coiled cable
FT601-10	Replacement plug, 10 pin (Canada)	FT623	Plug hanger
FT602	Replacement 30' coiled cable		
FT603	Plug hanger		
FT604	Replacement 20' straight cord		

Replacement Parts

Part #	Description	Part #	Description
FT9000	Replacement sensor housing 2" NPT with cap	FT9023	Stripping tool for cable jacket
FT9001	Replacement sensor gasket kit	FT9024	Crimp tool for splice connections
FT9002	Replacement sensor housing hardware and O-ring kit	FT9025	Terminal pin, 14-16 AWG 100 pieces
FT9003	Replacement on-board monitor housing	FT9026	Sensor housing gasket
FT9004	Replacement on-board monitor hardware kit	FT9027	Sensor Viton® O-ring
FT9005	Replacement on-board bezel five wire (FT103)	FT9028	Gasket Scully Go Anywhere
FT9006	Replacement on-board bezel two wire (FT204)	FT9029	J560 contact block, 7 way
FT9007	Replacement socket rear housing	FT9030	Fuse holder with ¼ Amp fuse
FT9008	Replacement contact block optic	FT9031	Fuse holder with ½ Amp fuse
FT9009	Replacement contact block API thermistor	FT9032	Socket gasket
FT9010	Replacement contact block ten pin thermistor	FT9033	Sensor housing, lower no hardware
FT9011	Replacement sensor housing cap with screws and lock washers	FT9034	4 J-slots optic face plate only
FT9012	Replacement 2" NPT sensor housing lock nut	FT9035	Program module for FT204P and FT208
FT9013	Replacement 4-J slot thermistor face plate optic pattern	FT9036	FT208 Benzel
FT9014	Thermistor contact assembly, 8 pin	FT9037	FT520 test lead set
FT9015	Replacement contact assembly optic	FT9038	Fuse ¼ Amp - for FT103 and FT204P
FT9016	Replacement contact assembly thermistor	FT9039	Fuse ½ Amp - for FT208
FT9017	Plug body assembly thermistor	FT9040	Checkmate housing with lid
FT9018	Plug body assembly optic	FT9041	Replacement 3-J aluminum socket nose ring
FT9019	Scully Load Anywhere face plate	FT9042	Replacement 4-J aluminum socket nose ring
FT9020	Socket pin, screw and crimp lug	FT9043	Replacement 3-J stainless socket nose ring
FT9021	Crimp connector 100 pieces per bag	FT9044	Replacement 4-J stainless socket nose ring
FT9022	GE RTV 103 silicone rubber sealant 2.8 oz. tube	FT9045	Replacement gasket, Checkmate lid
		FT9046	Bag of 10 replacement socket pins
		FT9047	Thermistor, plug, hanger, 1 dummy
		FT9050	Threaded half coupling ½" for retain probe

Comparison Reference Chart

Listed is a cross reference between FloTech brand "Drop In" replacement parts and competitor products

LIQUID LEVEL SENSORS	FLOTECH Part #	CAT. PG#	CIVACON Part #	SCULLY Part #	DESCRIPTION
	FT100	9	1300	09209	Replacement probe, optic, 5-wire, 7" long
	FT100-12	9	1300S	09214	Replacement probe, optic, 5-wire, 12" long
	FT101	9	1110	09208	Sensor, optic, 5-wire, 2" NPT housing, 7" probe
	FT101-12	9	1110S	09213	Sensor, optic, 5-wire, 2" NPT housing with 12" probe
	FT150	6	1650	09409	Replacement probe, thermo-optic, 7" long, 2-wire (black & white)
	FT150-12	6	1650S	09414	Replacement probe, thermo-optic, 12" long, 2-wire (black & white)
	FT151	6	1550	09408	Sensor, thermo-optic, 2" NPT housing, 7" probe, 2-wire (black & white)
	FT151-12	6	1550S	09413	Sensor, thermo-optic, 2" NPT housing, 12" probe, 2-wire (black & white)
	FT152	6	---	08819	Retain sensor
	FT155	6	1900	08542	Thermistor dummy, 5 compartment
	FT201	8	1350	---	Replacement R/OM type, 7" top probe, 2-wire (red & black)
	FT201-12	8	1350S	---	Replacement R/OM type, 12" top probe, 2-wire (red & black)
	FT202	8	1050	---	Top sensor R/OM type, 2" NPT housing, 7" probe, 2-wire (red & black)
	FT202-12	8	---	---	Top sensor R/OM type, 2" NPT housing, 12" probe, 2-wire (red & black)
	FT205	--	1910	---	Terminator
	FT206	8	1000	---	Retain sensor R/OM type, 1/2" NPT sensor (red & black)
ON-BOARD MONITORS	FLOTECH Part #	CAT. PG#	CIVACON Part #	SCULLY Part #	DESCRIPTION
	FT102	9	3150	08563	Replacement chassis, API compatible
	FT103	9	3100	08687	API compatible on-board monitor, with housing
	FT203P	8	3252	---	Replacement chassis, R/OM type on-board monitor
	FT204P	8	3202	---	R/OM type on-board monitor, with housing
	FT207	6	---	09100 or 09111	Replacement module, Checkmate on-board monitor
	FT208	6	---	09109 or 09107	Checkmate programmable monitor for top, or top and bottom sensors
SOCKETS	FLOTECH Part #	CAT. PG#	CIVACON Part #	SCULLY Part #	DESCRIPTION
	FT300	10	4100	07974	API compatible optic socket with cap (6 pin, 3 J-slots)
	FT301	10	4400	07720	API compatible thermistor socket with cap (8 pin, 2/4 J-slots)
	FT302	10	4600	08116	API compatible float socket
	FT303	10	4200	07976	Optic pattern with thermistor J-slots, and cap (6 pin, 2/4 J-slots)
	FT304	10	4401	07716	Canadian / European thermistor socket with cap (10 pin, 4 J-slots)
	FT305	10	4500	07681	Thermistor socket, J560 type
	FT306	10	4300	08199	Optic socket, J560 type
	FT310	10	4110	21790	API optic face plate assembly with cap
	FT311	10	4410	20770	API thermistor face plate assembly with cap
	FT314	10	---	20768	Canadian / European thermistor replacement face plate with cap
	FT320	10	4150	08575	Blue optic dust cap
	FT321	10	4450	08574	Green thermistor dust cap
	FT390	11	---	09060	EZ-Cept dual socket assembly
HARDWARE SYSTEM TESTERS	FLOTECH Part #	CAT. PG#	CIVACON Part #	SCULLY Part #	DESCRIPTION
	FT400	12	2100	22056	5 conductor cable 100'
	FT401	12	2310	27382	7 conductor cable 100'
	FT402	12	2510	---	20 strain relief fittings, 1/2" NPT
	FT403	12	---	---	30 strain relief fittings, 1/2" NPT
	FT520	12	---	---	Optic system tester
	FT530	12	---	---	T.I.M. reader

Civacon and R/OM are registered trademarks of Civacon/Dover Corp. Intellichex is a registered trademark of Scully Signal Co.

Comparison Reference Chart

Listed is a cross reference between FloTech brand "Drop In" replacement parts and competitor products

ON-BOARD SYSTEMS	FLOTECH Part #	CAT. PG#	CIVACON Part #	SCULLY Part #	DESCRIPTION
	FT1004	9	2004	08305	API compatible 4 compartment system
	FT1005	9	2005	08306	API compatible 5 compartment system
	FT2004	7	3024	---	R/OM type, 4 compartment system
	FT2005	7	3025	---	R/OM type, 5 compartment system
	FT2104	7	3034	---	R/OM type, 4 compartment system (top only)
	FT2105	7	3035	---	R/OM type, 5 compartment system (top only)
	FT2801	5	---	08251	Checkmate system, one compartment, top only
	FT2802	5	---	08352	Checkmate system, two compartment, top only
	FT2803	5	---	08353	Checkmate system, three compartment, top only
	FT2804	5	---	08354	Checkmate system, four compartment, top only
	FT2805	5	---	08355	Checkmate system, five compartment, top only
	FT2806	5	---	08356	Checkmate system, six compartment, top only
	FT2807	5	---	08380	Checkmate system, seven compartment, top only
	FT2808	5	---	08381	Checkmate system, eight compartment, top only
	FT2811	5	---	08361	Checkmate system, one compartment, top and bottom sensors
	FT2812	5	---	08362	Checkmate system, two compartment, top and bottom sensors
	FT2813	5	---	08363	Checkmate system, three compartment, top and bottom sensors
	FT2814	5	---	08364	Checkmate system, four compartment, top and bottom sensors
	FT2815	5	---	08365	Checkmate system, five compartment, top and bottom sensors
	FT2816	5	---	08366	Checkmate system, six compartment, top and bottom sensors
	FT2817	5	---	08382	Checkmate system, seven compartment, top and bottom sensors
	FT2818	5	---	08383	Checkmate system, eight compartment, top and bottom sensors

*Civacon and R/OM are registered trademarks of Civacon/Dover Corporation
 Intellicheck is a registered trademark of Scully Signal Company
 Viton is a registered trademark of DuPont Dow Elastomers.*

Limited Warranty

Dixon Valve and Coupling Company, (herein called "Dixon") warrants the FloTech products described herein, and manufactured by Dixon to be free from defects in material and workmanship for a period of three (3) years from date of shipment by Dixon under normal use and service. It's sole obligation under this warranty being limited to repairing or replacing, as hereinafter provided, at its option any product found to Dixon's satisfaction to be defective upon examination by it, provided that such product shall be returned for inspection to Dixon's factory within three (3) months after discovery of the defect. The repair or replacement of defective products will be made without charge for parts or labor. This warranty shall not apply to: (a) parts or products not manufactured by Dixon, the warranty of such items being limited to the actual warranty extended to Dixon by its supplier; (b) any product that has been subject to abuse, negligence, accident, or misapplication; (c) any product altered or repaired by others than Dixon; and (d) to normal maintenance services and the replacement of service items (such as washers, gaskets and lubricants) made in connection with such services. To the extent permitted by law, this limited warranty shall extend only to the buyer and any other person reasonably expected to use or consume the goods who is injured in person by any breach of the warranty. No action may be brought against Dixon for an alleged breach of warranty unless such action is instituted within one (1) year from the date the cause of action accrues. This limited warranty shall be construed and enforced to the fullest extent allowable by applicable law.

OTHER THAN THE OBLIGATION OF DIXON SET FORTH HEREIN, DIXON DISCLAIMS ALL WARRANTIES, EXPRESS OR IMPLIED, INCLUDING BUT NOT LIMITED TO ANY IMPLIED WARRANTIES OF MERCHANTABILITY OR FITNESS FOR A PARTICULAR PURPOSE, AND ANY OTHER OBLIGATION OR LIABILITY. THE FOREGOING CONSTITUTES DIXON'S SOLE OBLIGATION WITH RESPECT TO DAMAGES, WHETHER DIRECT, INCIDENTAL OR CONSEQUENTIAL, RESULTING FROM THE USE OR PERFORMANCE OF THE PRODUCT.

Some Products and Sizes May Be Discontinued When Stock Is Depleted, Or May Require A Minimum Quantity For Ordering.



The Right Connection™

Through its divisions and affiliated companies, Dixon is recognized as the premier manufacturer and supplier of hose fittings and accessories spanning a wide range of industrial uses. Dixon's reach includes products for fire protection, food, dairy processing, beverage and brewery, mobile tankers, mining, construction, chemical processing, petroleum, oilfields, refining, nuclear and manufacturing.



GOODYEAR
RUBBER PRODUCTS INC.

Call Toll Free: 1-866-711-4673
WebSales@GoodyearRubberProducts.com

**We Ship
World Wide**



The Right Connection™



Dixon Bayco Dry Bulk Products

GOODYEAR
RUBBER PRODUCTS INC.

Call Toll Free: **1-866-711-4673**

WebSales@GoodyearRubberProducts.com

**We Ship
World Wide**

207

Table of Contents

Air / Pressure Relief Valves	4	Cam & Groove	16-19
Adjustable	4	Adapters & Couplers x 150# Flanged Drilling	17
High capacity blower service	5	Adapters & Couplers x Round Tank Truck Flange	17
PVC Coated Laynards	6	Adapters & Couplers x Straight Pipe Thread	18
Vacuum Relief Valves	6	Dixon Tank Car Fittings	19
Pneuclean™ Pneumatic Filtration System	7	Tank Car Gaskets	19
Swing Check Valves	8-10	Railroad Tank Car Connections	18, 19
Horizontal Swing Check Valves	10	D.O.T. Push-In Fittings	20-21
In-Line Sight Glass	10	D.O.T. Air Brake Tubing Rolls	21
TTMA Series Flange Adapters	11	Gauges	22
Flanged Gaskets	11	Panel Mount	22
Butterfly Valves	12-13	Standard Dry	22
400 Series	12	Vacuum	22
390 Series	13	Adapter Nipples	23
Accessories	13	Short	23
Hopper Tees	14	Long	23
Straight	14	Victaulic	23
Bottom Drop	14	Quick Release Couplings	23
Accessories and Replacement Parts	14	King Combination Nipples	23
Disk Fluidizers	15	Threaded Pipe Nipples	23

To receive a current copy of the Dixon Price List please contact us

We Commit

- To ensure that internal and external customer needs are identified and that our products and services meet these needs.
- To fully meet and exceed the requirements of the ISO 9001 Quality Program.
- To strive for quality in each and every phase of our business.
- To exceed competitor's quality.
- To provide systems and training for all Dixon employees.
- To create an environment that will allow each employee to do it right the first time, and accept the responsibility for quality in each and every task they perform.
- That no employee will ever be called on to do anything morally, legally or ethically wrong.

Product Changes and Corrections

Dixon has gone to considerable effort to assure the accuracy of the information provided. Please report any irregularities found for clarification or correction. Dixon reserves the right to modify or change product specification or to withdraw product offerings at any time without prior notice.

Limited Warranty

Dixon Valve and Coupling company, (herein called "Dixon") warrants the products described herein, and manufactured by Dixon to be free from defects in material and workmanship for a period of one (1) year from date of shipment by Dixon under normal use and service. It's sole obligation under this warranty being limited to repairing or replacing, as hereinafter provided, at its option any product found to Dixon's satisfaction to be defective upon examination by it, provided that such product shall be returned for inspection to Dixon's factory within three (3) months after discovery of the defect. The repair or replacement of defective products will be made without charge for parts or labor. This warranty shall not apply to: (a) parts or products not manufactured by Dixon, the warranty of such items being limited to the actual warranty extended to Dixon by its supplier; (b) any product that has been subject to abuse, negligence, accident, or misapplication; (c) any product altered or repaired by others than Dixon; and (d) to normal maintenance services and the replacement of service items (such as washers, gaskets and lubricants) made in connection with such services. To the extent permitted by law, this limited warranty shall extend only to the buyer and any other person reasonably expected to use or consume the goods who is injured in person by any breach of the warranty. No action may be brought against Dixon for an alleged breach of warranty unless such action is instituted within one (1) year from the date the cause of action accrues. This limited warranty shall be construed and enforced to the fullest extent allowable by applicable law.

OTHER THAN THE OBLIGATION OF DIXON SET FORTH HEREIN, DIXON DISCLAIMS ALL WARRANTIES, EXPRESS OR IMPLIED, INCLUDING BUT NOT LIMITED TO ANY IMPLIED WARRANTIES OF MERCHANTABILITY OR FITNESS FOR A PARTICULAR PURPOSE, AND ANY OTHER OBLIGATION OR LIABILITY. THE FOREGOING CONSTITUTES DIXON'S SOLE OBLIGATION WITH RESPECT TO DAMAGES, WHETHER DIRECT, INCIDENTAL OR CONSEQUENTIAL, RESULTING FROM THE USE OR PERFORMANCE OF THE PRODUCT.

Some Products and Sizes May Be Discontinued When Stock Is Depleted, Or May Require A Minimum Quantity For Ordering.

Bayco Brand Dry Bulk products are designed for use with bulk trailers and truck blowers for the pneumatic transfer of dry bulk commodities such as powders, grains and plastic pellets. Other industrial applications are possible when pneumatic control of air or dry products is required.



Air and Vacuum Relief Valves



Hose Accessories



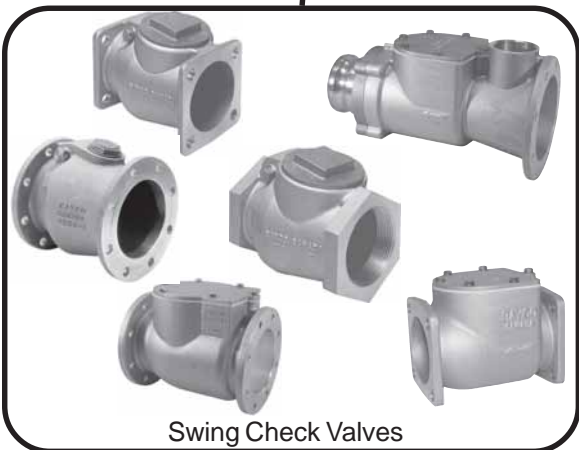
Pneuclean™ Filter Systems



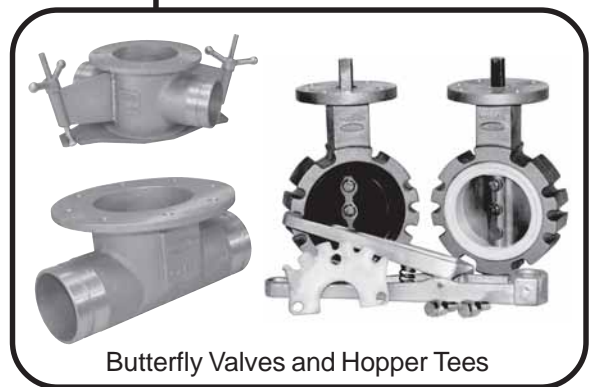
Fluidizers



Tube Doors



Swing Check Valves



Butterfly Valves and Hopper Tees

Air / Pressure Relief Valves

- Designed to relieve air pressure at a specific pressure setting (customer to advise when ordering - typical setting **15-25 PSI**)
Refers to the choice of pressure settings provided. Customer needs to request the required settings when ordering.
- Air Relief Flow Rates:
 - A2180** up to 500 SCFM
 - A2182** up to 1400 SCFM
 - A3180** up to 1300 SCFM
- All 2180 and 2182 series valves use white food grade, high temperature elastomer diaphragms.
- Tamper proof safety is improved by replacing old wire/lead seals with new cup seals which are more secure.
- In the US the customer can choose the preset pressure tolerance:
 - a) the conventional tolerance is set pressure +3/-0 PSI
 - b) the "A" absolute tolerance is set pressure +1/-0 PSI. The tighter tolerance air reliefs are designated with the prefix "A".
(A2180, A3180, A2182)
- For the Canadian market only the "A" or absolute (+1/-0 PSI) tolerance air reliefs are available.

Note: Adjustable models A2180ADJ and A3108ADJ are only available with absolute (+1/-0 PSI) tolerance settings and are adjustable + or - 3 PSI from specified setting.

Safety Note: Air/vacuum relief valves must be regularly inspected, cleaned and maintained. Product particles can prevent the valve from fully reseating which can lead to early opening/leakage from the valve or can prevent it from opening at all. For ease of removal and installation, to allow for inspections, cleaning and maintenance all 2180 and 2182 series air relief valves are available with either male cam and groove or victaulic grooved connections.

Relief Valve Flow Rates vary depending on the preset relief pressure, for specific relief rates contact Dixon.

Designed for trailer service



Part #	Description
2180/xx	2" female NPT
A2180/xx	2" female NPT
3180/xx	3" female NPT
A3180/xx	3" female NPT



Part #	Description
A2180/xxADJ	Adjustable 2" female NPT
A3180/xxADJ	Adjustable 3" female NPT



Part #	Description
2180B/xx	2" adapter
A2180B/xx	2" adapter



Shown with optional safety lanyard (**CAL25**) attached
(available pn page 6)



Part #	Description
2180V/xx	2" grooved end
A2180V/xx	2" grooved end



Shown with optional safety lanyard (**CAL25**) attached
(available pn page 6)

/xx refers to the choice of pressure settings provided. Customer needs to request the required settings when ordering.

Air / Pressure Relief Valves

Designed for high capacity blower or trailer service

Safety Note: Air/vacuum relief valves must be regularly inspected, cleaned and maintained. Product particles can prevent the valve from full reseating which can lead to early opening/leakage from the valve or can prevent it from opening at all.

For ease of removal and installation, and to allow for inspections, or cleaning and maintenance, all 2180 and 2182 series air relief valves are available with either male cam and groove or victaulic grooved connections.

Part #	Description
2182F/xx	2" female NPT
A2182F/xx	2" female NPT
2182/xx	2" male NPT
A2182/xx	2" male NPT
2182B/xx	2" adapter
A2182B/xx	2" adapter
2182V/xx	2" grooved end
A2182V/xx	2" grooved end



/xx refers to the choice of pressure settings provided. Customer needs to request the required settings when ordering.

The 2182 has advantages over other similar sized air relief valves. It provides nearly four times the relieving capacity and is constructed with an anti-galling anodized aluminum base, which reduces weight. Even though the 2182 is physically larger than the 2180 both weigh approximately 4 lbs. The 2182 has a silicone rubber coated poppet which reduces the tendency of products that "cake" such as cement, lime and flour to stick to the poppet.

2180 and 2182 Series Repair Kits

Part #	Description
2180RK-15	2180 series repair kit, 15 PSI setting, +2/-0 PSI spring tolerance
2180RK-15A	2180 series repair kit, 15 PSI setting, +1/-1 PSI spring tolerance
2180RK-18	2180 series repair kit, 18 PSI setting, +2/-0 PSI spring tolerance
2180RK-18A	2180 series repair kit, 18 PSI setting, +1/-1 PSI spring tolerance
2182RK-15	2182 series repair kit, 15 PSI setting, +2/-0 PSI spring tolerance
2182RK-15A	2182 series repair kit, 15 PSI setting, +1/-1 PSI spring tolerance
2182RK-18	2182 series repair kit, 18 PSI setting, +2/-0 PSI spring tolerance
2182RK-18A	2182 series repair kit, 18 PSI setting, +1/-1 PSI spring tolerance

Each repair kit contains:

- complete instructions
- 15 or 18 PSI spring
- spring seat
- diaphragm
- valve plate
- 4 bolts and lock washers
- tamper proof seal
- label

Safety Note: The detailed instructions enclosed with each repair kit must be followed. Failure to comply with these instructions including disassembly, tampering or modifications using processes and parts not described in these instructions or supplied with this rebuild kit will void the product warranty and could result in personal injury and extensive property damage.

- Medium performance displacement
- For temperature application to **500°F**
- All metal construction (no diaphragm)
- With tamper proof seal
- 2" male inlet made of anti-galling material

Part #	Description
2215/xx	2" male



/xx refers to the choice of pressure settings provided. Customer needs to request the required settings when ordering.

Vacuum Relief Valves

Vacuum relief valves are safety valves which relieve vacuum (instead of pressure) when exceeding a specific setting. Customers must advise vacuum setting required when ordering - typical setting 10-18 inches of mercury.

Construction:

- Aluminum top
- Anti-galling alloy inlets
- Bronze valve
- Stainless steel spring
- Male inlets / female outlets

Part #	Size
1120/xx	1½"
2120/xx	2"
3120/xx	3"



/xx refers to the choice of pressure settings provided. Customer needs to request the required settings when ordering.

PVC Coated Laynards



Part #	Description
CAL15	15" long PVC coated carbon steel with aluminum crimp sleeves. One end factory crimped, one end uncrimped for field installation.
CAL25	25" long PVC coated carbon steel with aluminum crimp sleeves. One end factory crimped, one end uncrimped for field installation.

Pneuclean™ Pneumatic Filtration System

The Pneuclean™ unit is designed to remove microscopic particles generated by blowers during pneumatic conveying of contaminant-sensitive dry bulk products. Contaminants such as iron and hydrocarbons are produced by blowers and can adversely affect dry products such as plastic pellets and food materials.

These filter units are typically used on dry bulk tanker trucks and placed after the blower and before the bulk storage tanker. This in-line pneumatic system is also suitable for industrial applications or wherever microscopic filtration (up to 4 microns) of impurities is required.

Standard units employ 4" inlets and outlets. However, 3" plumbing can be used with available weld-on 4" x 3" female NPT adapters.

Special cartridge-style filter elements have a typical life expectancy of approximately 12 months or 2000 hours of service.

In-Line High Pressure Air Filtration for 4" Air Lines

- Redesigned heavy duty aluminum canister
- Easy to inspect and service
- Noise reduction, filter reduces noise by 13.8 db at 600 CFM
- FDA medium with 99.99% maximum efficiency at 4 microns
- Maximum air flow 1000 CFM's
- Back pressure: .05 PSI
- Quick release V clamp for easy inspection
- Overall weight 26 lbs.



Complete Pneuclean™ Systems

Part #	Description
PC5000	Pneuclean™ canister / filter schedule 40 pipe inlet and outlets
PC5000AA	Pneuclean™ canister / filter schedule 4" cam adapter inlet and outlets
PC5000VV	Pneuclean™ canister / filter 4" victaulic inlet and outlets

Replacement Parts

Part #	Description
PC5001	Pneuclean™ filter element
PC5003	Mounting bracket (sold separately, 2 required)
PC5004	Lid V clamp
PC5005	Lid O-ring
PC5006	Bottom gasket
PC5007	Lid

High Flow Swing Check Valves

Swing check valves are designed specifically for service with pneumatic equipment which transfers dry bulk commodities. Check valves allow one way directional flow only. They are used as a protective safety device to prevent flow reversal should back pressure occur.

- High air flow body design
- Large maintenance / inspection lid
- Captive drop-in spring loaded food grade flapper assembly prevents contamination
- Heavy duty cast aluminum body with stainless steel hardware



3020TE

Threaded End (NPT)

Part #	Description	Length
3020TE	2" female NPT, white EPDM spring loaded flapper	4 5/8"
3030TE	3" female NPT, white EPDM spring loaded flapper	7.125"
3030TE-SSP	3" female NPT, spring loaded silicone flapper	7.125"
3031TE	3" female NPT, spring loaded metal flapper	7.125"
4040TE	4" female NPT, spring loaded white EPDM flapper	9"
4041TE	4" swing check valve with threaded ends, metal flapper	9"
4042TE	4" swing check valve with threaded ends, silicone flapper	9"



3020SQ

Square Flanged (TTMA)

Part #	Description	Length
3020SQ	2" square flange, white EPDM spring loaded flapper	4 7/8"
3030SQ	3" square flange, white EPDM spring loaded flapper	6 7/8"
3030SQ-SSP	3" square flange, spring loaded silicone flapper	6 7/8"
3031SQ	3" square flange, spring loaded metal flapper	6 7/8"



3030SQ

Round Flanged (TTMA)

Part #	Description	Length
3030RD	3" round TTMA flange, white EPDM spring loaded flapper	6 7/8"
3030RD-SSP	3" round flange, spring loaded silicone flapper	6 7/8"
3031RD	3" round flange, spring loaded metal flapper	6 7/8"
4040RD	4" round TTMA flange	9"
4041RD	4" swing check valve, round flange, metal flapper	9"
4042RD	4" swing check valve, round flange, silicone flapper	9"



4040RD

High Flow Swing Check Valves

3000 Series Swing Checks

- Cast aluminum bodies with bronze inspection caps.
- Safety flapper assembly - all flapper assemblies are drilled and pinned and will not come apart.
- Choice of seals: metal-to-metal, Buna or silicone rubber seals.
- Choice of models with or without spring loaded flapper.
- Full flow design - flappers swing out of flow path for maximum flow and low resistance.
- Large cap designs allow flapper repair/rebuild on unit.

Part #	3" Threaded Ends (NPT) Description	Length
3000TE	Metal-to-metal seal	7 1/8"
3000TESP	Metal-to-metal seal and spring loaded flapper	7 1/8"
3000TEB	Buna rubber seal	7 1/8"
3000TES	Silicone rubber seal	7 1/8"
3000TEBSP	Buna seal and spring loaded flapper	7 1/8"
3000TESSP	Silicone rubber seal and spring loaded flapper	7 1/8"



Part #	3" Square Flanged (TTMA) Description	Length
3001SQN	Metal-to-metal seal	6 7/8"
3001SQSP	Metal-to-metal seal and spring loaded flapper	6 7/8"
3001SQB	Buna rubber seal	6 7/8"
3001SQS	Silicone rubber seal	6 7/8"
3001SQBSP	Buna seal and spring loaded flapper	6 7/8"
3001SQSSP	Silicone rubber seal and spring loaded flapper	6 7/8"



Part #	3" Round Flanged (TTMA) Description	Length
3000N	Metal-to-metal seal	5 5/8"
3000SP	Metal-to-metal seal and spring loaded flapper	5 5/8"
3000B	Buna rubber seal	5 5/8"
3000S	Silicone rubber seal	5 5/8"
3000BSP	Buna seal and spring loaded flapper	5 5/8"
3000SSP	Silicone rubber seal and spring loaded flapper	5 5/8"



Gaskets can be found on page 11.

Swing Check Manifold Valves

3" high flow swing check valve complete with 2" female NPT port for mounting an air relief valve

Part #	Description
3090M	3" swing check manifold - silicone flapper
3090MA	3" swing check manifold with 3" adapter - silicone flapper
3090MB	3" swing check manifold with 4" adapter - silicone flapper
3030SK	Security kit for 3" swing check manifold
3090MS	3" swing check manifold with security kit installed - silicone flapper
3090MAS	3" swing check manifold with 3" adapter and security kit installed - silicone flapper
3090MBS	3" swing check manifold with 4" adapter and security kit installed - silicone flapper
3091MA	3" swing check manifold with 3" adapter metal to metal flapper
3090MA-DC	3" swing check manifold with 3" adapter with dust cap and chain - silicone flapper
3090F	3" swing check manifold with 4" female NPT threaded end - silicone flapper
3090MA-W	3" swing check manifold with 3" adapter and special bolt holes for Wittig® blowers - silicone flapper



3090MA

Horizontal Swing Check Valves



Female NPT x Female NPT

- Swing check valves are designed to prevent backflow in plumbing and liquid piping systems, while offering full flow performance with a minimum of turbulence or pressure loss.
- A positive seating disc allows flow only in one direction and a screw-in cap provides easy access for periodic cleaning.
- For horizontal or vertical use
- Rated to **200 PSI WOG**
- Brass body and disc
- Temperature range **-20° to 150°F**

Part #	Size
SWCV50	½"
SWCV75	¾"
SWCV100	1"
SWCV125	1¼"
SWCV150	1½"
SWCV200	2"
SWCV300	3"

In-Line Sight Glasses



3544CA

- Designed for dry bulk transfer applications.
- Available in combination of 3" and 4" coupler or adapter ends.
- Use sight glass kit - 6400SGK
- Includes:
 - Aluminum bodies
 - Buna seals
 - Acrylic sight glasses
 - Stainless steel hardware
 - Bronze cam arms (where applicable)

Part #	Description
3544CA	4" coupler x 4" adapter
3533CA	3" coupler x 3" adapter
3543CA	4" coupler x 3" adapter
3534CA	3" coupler x 4" adapter
3533AA	3" adapter x 3" adapter

Part #	Description
3544AA	4" adapter x 4" adapter
3534AA	3" adapter x 4" adapter
3544CC	4" coupler x 4" coupler
3533CC	3" coupler x 3" coupler
3543CC	4" coupler x 3" coupler

TTMA Series Flange Adapters

The TTMA pattern bolts quickly and easily to standard 4" TTMA flanges and provides a 3" or 4" male NPT thread. The adapter provides a simple and easy way to convert female threaded components to standard TTMA flange configuration. Made of light-weight solid cast aluminum it is more durable than welded fabrications. The advanced design improves flow through adapters even on the 3" reducer. Compact size reduces the overall space needed for installation.

- Available in 3" or 4" male NPT
- Strong and lightweight
- Solid one piece design

NPT Flanges



TTF4AL-4MT



TTF4AL-4EMT



TTF4AL-4FT

Part #	Description
TTF4AL-4MT	4" TTMA pattern flange with 4" male NPT thread
TTF4ALHC-4MT	4" TTMA pattern flange with 4" male NPT thread hardcoated
TTF4AL-3MT	4" TTMA pattern flange with 3" male NPT thread
TTF4ALHC-3MT	4" TTMA pattern flange with 3" male NPT thread hardcoated
TTF3AL-3MT	3" TTMA flange x 3" male NPT thread
TTF4AL-3EMT	4" TTMA flange x 3" male NPT thread 3" extended length
TTF4AL-3FT	4" TTMA flange x 3" female NPT thread
TTF4AL-4EMT	4" TTMA flange x 4" male NPT thread 3" extended length
TTF4AL-4FT	4" TTMA flange x 4" female NPT thread

Weldable Flanges



Weldable

Part #	Description
TTF3AL	Weldable aluminum flange, 3" TTMA bolt pattern
TTF4AL	Weldable aluminum flange, 4" TTMA bolt pattern
4443	Reducing flange, 4" TTMA to 3" TTMA aluminum

Flange Gaskets

For use with TTMA flanged fittings.

Size	Round Gaskets	Part #	OD	ID	Thk
3"	Cork / Buna	300GTTFCB	5-5/8"	3-1/2"	1/8"
3"	Dixon Teflon® Envelope with Klinger Filler	300GTTFTK	5-5/8"	3-1/2"	1/16"
3"	Klinger	300GTTFK	5-5/8"	3-1/2"	1/8"
4"	Cork / Buna	400GTTFCB	6-5/8"	4-9/16"	1/8"
4"	Dixon Teflon® Envelope with Klinger Filler	400GTTFTK	6-5/8"	4-9/16"	1/16"
4"	Klinger	400GTTFK	6-5/8"	4-9/16"	1/16"

Size	Square Gaskets	Part #	OD	ID	Thk
3"	Cork/Buna Square Flange	300GDBSQCB	4-1/2"	3-3/8"	1/8"
3"	Klinger Square Flange	300GDBSQK	4-1/2"	3-3/8"	1/16"
3"	White EPDM Square Flange	300GDBSQE	4-1/2"	3-3/8"	1/8"



Butterfly Valves

Housing: Aluminum

Discs: Type 316 stainless or nodular iron

Stem Packing: Buna-N

Stem Bushings: Thermal plastic polymer, top and bottom

Resilient Seat: Nitrile

Handle: High strength 713 alloy aluminum with retrogressive reaging process - stronger than industry standard cast iron handles. Stainless steel spring and locking lever pin.

Throttling Plate: Five position, high strength aluminum alloy

Nodular Iron

- Aluminum body
- Nodular iron disc
- 17-4 stainless steel stem
- Nitrile, FDA approved
Black seat



Complete Valve with Nodular Iron Disc		Nodular Iron Replacement Discs		Black Replacement Nitrile Seats	
Size	Part Number	Size	Part Number	Size	Part Number
2"	2-400-1500	2"	2-400-422237F	2"	2-400-422500
3"	3-400-1500	3"	3-400-422237F	3"	3-400-422500
4"	4-400-1500	4"	4-400-422237U	4"	4-400-422500
4" TTMA	4A-400-1500	5"	5-400-422237U	4"	4A-400-422500
5"	5-400-1500	6"	6-400-422237U	5"	5-400-422500
6"	6-400-1500			6"	6-400-422500

Order handles separately, see page 13.

Stainless Steel

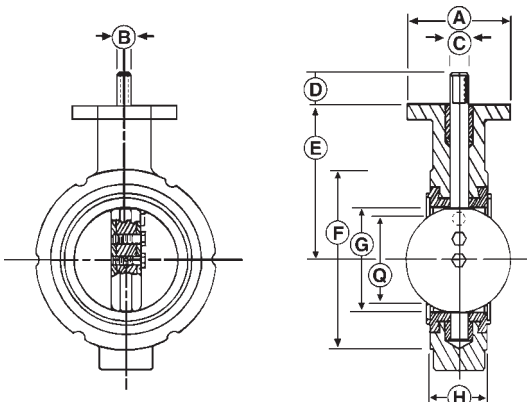
- Aluminum body
- 316 stainless steel disc
- 17-4 stainless steel stem
- Nitrile, FDA approved
White seat



Complete Valve with 316 Stainless Steel Disc		316 Stainless Steel Replacement Discs		White Replacement Nitrile Seats	
Size	Part Number	Size	Part Number	Size	Part Number
3"	3-400-3501	2"	2-400-422209F	2"	2-400-422501
4"	4-400-3501	3"	3-400-422209F	3"	3-400-422501
5"	5-400-3501	4"	4-400-422209U	4"	4-400-422501
6"	6-400-3501	5"	5-400-422209U	4"	4A-400-422501
		6"	6-400-422209U	5"	5-400-422501
				6"	6-400-422501

Order handles separately, see page 13.

Dimensions and Weights



Size	Dimensions									Weight in Lbs.
	A	B	C	D	E	F	G	H	Q	
2"	4.000	.375	.563	1.250	3.938	4.125	2.125	1.625	1.688	3
3"	4.000	.375	.563	1.250	4.875	5.375	3.125	1.750	2.875	5
4"	4.000	.438	.625	1.250	6.000	6.875	4.125	2.000	3.875	8
5"	4.000	.438	.625	1.250	6.000	7.625	5.188	2.125	5.000	9
6"	4.000	.438	.625	1.250	6.500	8.750	6.125	2.125	6.000	9

NOTES:

- Q dimension is the minimum allowable inside diameter of the pipe or mating flange.

Butterfly Valves

Housing: Aluminum

Discs: Type 316 stainless

Body Screws: Cadmium plated steel

Stem Packing: Buna-N

Stem Bushings: Thermal plastic polymer, top and bottom

Resilient Seat: Nitrile

Handle: High strength 713 alloy aluminum with retrogressive rearing process - stronger than industry standard cast iron handles. Stainless steel spring and locking lever pin.

Throttling Plate: Five position, high strength aluminum alloy

Stainless Steel

- 2 piece aluminum body
- One piece 316 stainless steel disc and stem
- Nitrile, FDA approved white seat



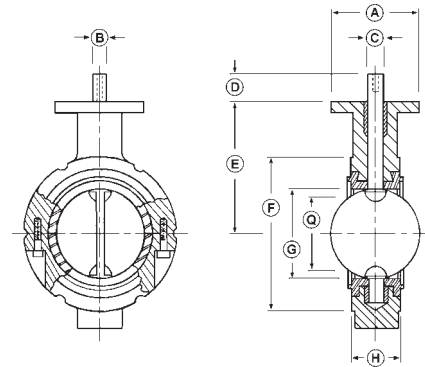
Complete Valve with 316 SS Disc		316 Stainless Steel Replacement Discs		White Replacement Nitrile Seats	
Size	Part Number	Size	Part Number	Size	Part Number
3"	3-390-828501	3"	3-390-209F	3"	3-400-422501
4"	4-390-828U501	4"	4-390-209U	4"	4-400-422501
5"	5-390-828U501	5"	5-390-209U	5"	5-400-422501
6"	* 6-390-828U501	6"	6-390-209U	6"	6-390-393501

Order handles separately, see below.

* For 6" 390 series valve, use special handle 400-206-65, see below.

Dimensions and Weights

Size	Dimensions									Weight in Lbs.
	A	B	C	D	E	F	G	H	Q	
2"	4.000	.375	.563	1.250	3.938	4.125	2.125	1.625	1.688	3
3"	4.000	.375	.563	1.250	4.875	5.375	3.125	1.750	2.875	4
4"	4.000	.438	.625	1.250	6.000	6.875	4.125	2.000	3.875	7
5"	4.000	.438	.625	1.250	6.000	7.625	5.188	2.125	5.000	9
6"	4.000	.438	.625	1.250	6.500	8.750	6.125	2.125	6.000	9



Notes:

- **Q** dimension is the minimum allowable inside diameter of the pipe or mating flange.

Butterfly Valve Accessories

- Includes handle plate kit and handle/lever assembly.

Aluminum handle kit
5 position plate

Size	Part Number
2" and 3"	206-23-5
4" thru 6"	206-46-5
6" - 390	* 400-206-65

* Use on 6" 390 series valves

Plated iron handle kit
10 position plate

Size	Part Number
2" and 3"	237-23-10
4" thru 6"	237-46-10
6" - 390	* 400-237-610

17-4 stainless stems

Size	Part Number
2"	2-400-422240
3"	3-400-422240
4"	4-400-422240
5"	5-400-422240
6"	6-400-422240

Bushing and packing kits

Size	Part Number
2" and 3"	2-3-400-99-BPKIT
4" thru 6"	4-6-400-99-BPKIT
6"	* 6-99-400BPKIT

316 stainless screw sets

Size	Part Number
2" and 3"	2-3-213
4" thru 6"	4-5-6-213



Hopper Tees

- Durable lightweight cast aluminum construction
- One piece casting design
- Groove x groove x flange design
- Dimensionally interchangeable with industry standard offerings



Straight Tees

Part #	Description
4x4-S TEE	4" flange x 4" grooved ends
5x4-S TEE	5" flange x 4" grooved ends
5x4-VRST TEE	5" flange x 4" grooved ends low profile
6x4-S TEE	6" flange x 4" grooved ends
4x4-S TEE-E	4" flange x 4" grooved ends - urethane lined
5x4-S TEE-E	5" flange x 4" grooved ends - urethane lined
6x4-S TEE-E	6" flange x 4" grooved ends - urethane lined
5x4-VRST TEE K	5" flange x 4" grooved ends low profile w/ retention flange

- Durable lightweight cast aluminum construction
- Groove x groove x flange design
- Dimensionally interchangeable with industry standard offerings
- Easy to use swing out bottom drop



Bottom Drop Tees

Part #	Description
4x4-BD TEE	4" flange x 4" grooved ends
5x4-BD TEE	5" flange x 4" grooved ends
5x4-VRBD TEE	5" flange x 4" grooved ends low profile
6x4-BD TEE	6" flange x 4" grooved ends
8x4-BD TEE	8" flange x 4" grooved ends
4x4-BD TEE-E	4" flange x 4" grooved ends - urethane lined
5x4-BD TEE-E	5" flange x 4" grooved ends - urethane lined
6x4-BD TEE-E	6" flange x 4" grooved ends - urethane lined
8x4-BD TEE-E	8" flange x 4" grooved ends - urethane lined
5x4-VRBD TEE K	5" flange x 4" grooved ends low profile w/ retention flange

Accessories and Replacements Parts

Part #	Description
4x4BD DOOR	4x4 bottom drop door only
5/6BD DOOR	5&6 bottom drop door only
8x4BD DOOR	8x4 bottom drop door only
4x4-BD GASKET	4x4 bottom drop gasket only
5x4-BD GASKET	5x4 bottom drop gasket only
6x4-BD GASKET	6x4 bottom drop gasket only
8x4-BD GASKET	8x4 bottom drop gasket only
4x4BD DOOR ASBLY	4x4 bottom drop door assembly with gasket
5x4BD DOOR ASBLY	5x4 bottom drop door assembly with gasket
6x4BD DOOR ASBLY	6x4 bottom drop door assembly with gasket
8x4BD DOOR ASBLY	8x4 bottom drop door assembly with gasket
5x4 WING	5x4 bottom drop weld on replacement ring (each)
6x4 WING	6x4 bottom drop weld on replacement ring (each)
8x4 WING	8x4 bottom drop weld on replacement ring (each)
3/8 T-BOLT	4x4 bottom drop door T-bolt (each)
3/8 INSERT	4x4 bottom drop door threaded insert (each)
BD WINGNUT	5/6/8 bottom drop wing nut (each)
BD BOLTS	5/6/8 bottom drop bolt (each)
GASKET RETAINER	Gasket retainer - all sizes
3/8 RETAINER BOLT	S/S 3/8 gasket retainer bolt and locknut - all sizes
5-RF	Retention flange for low profile tee's

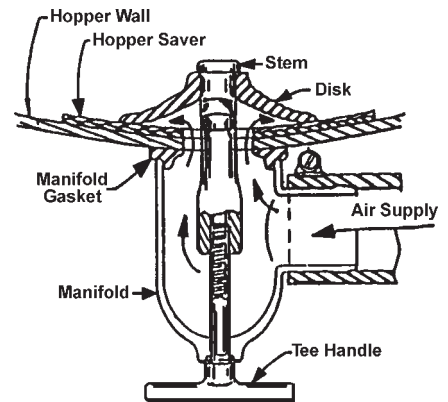


Disk Fluidizer


























Works effectively to provide aeration, vibration and directional air flow required for rapid unloading of dry bulk trailers and containers.

Product Features

- Seals completely to the hopper or wear plate to *stop the back flow of product into aeration lines* - even when flood loading
- Designed to provide the *optimum amount of air volume for efficient pneumatic unloading* of your bulk trailer, which allows more airflow, less back pressure and higher unloading rates
- Durable, food grade silicone resists hardening, cracking or tearing. Robust design does not have snap retention legs that can break off or flimsy disks that crack and wear prematurely.
- Material is either a clear-view engineered plastic or an ultra tough grey nylon. Fluidizer component parts are manufactured from F.D.A. approved materials and will withstand operating temperatures up to **350°F**.
- Fluidizer components can be used as *direct replacements* for Sure Seal, Fruehauf, Heil or Polar aerators.



Trailer Components

Part #	Description	Part #	Description
 4124	Blue silicone disk, foodgrade	 4121	Manifold, 1-port grey
 4134	White silicone disk, foodgrade	 4122	Manifold, 2-port grey
 4125	Grey stem, brass insert	 4123	Manifold, 3-port grey
 4135	Natural stem, stainless insert	 4621	Manifold, 1-port clear
 4155	Aluminum stem	 4622	Manifold, 2-port clear
 4157	Carbon steel stem	 4623	Manifold, 3-port clear
 4126B	Hopper saver, 1½" opening, white silicone backing	 4129	Tee handle assembly, stainless
 4127	Blue silicone manifold gasket, food grade	 4130	Raised tee handle assembly
 4137	White silicone manifold gasket, food grade	 4139	Hex bolt assembly, stainless
 5050	20" stainless steel fluidizer plate 16" ID (includes 3 disks)	 4149	Internal hex bolt assembly, stainless
 5052	20" carbon steel fluidizer plate 16" ID (includes 3 disks)	 4159	Bolt assembly, T.I.R., stainless
 5012	Neoprene gasket 20" OD	 4111	Hopper plug with gasket, 1-3/8" hole
		 4167	Hopper plug with gasket, 1-1/2" hole

Commonly Used Assemblies

Part #	Description
111111	1-port assembly, blue disk, grey stem hopper saver, blue gasket, 1-port grey manifold, tee handle
111131	3-port assembly, blue disk, grey stem hopper saver, blue gasket, 3-port grey manifold, tee handle

These are standard assemblies for most non-food grade trailers. It has a hopper saver which is used in aluminum trailers that haul abrasive products like cement and sand.

111141	1-port assembly, blue disk, grey stem hopper saver, blue gasket, 1-port clear manifold, tee handle
111161	3-port assembly, blue disk, grey stem hopper saver, blue gasket, 3-port clear manifold, tee handle

These are standard assemblies being used in Heil trailers.

113111	1-port assembly, blue disk, grey stem, blue gasket, 1-port grey manifold, tee handle
113131	3-port assembly, blue disk, grey stem, blue gasket, 3-port grey manifold, tee handle

These are typical assemblies used in steel trailers. They do not include the hopper saver.

Cam and Groove Couplings

- Sizes available from 1/2" through 8"
- Swaged connections available
- Interchange with products manufactured to MIL-C-27487F
- Available in aluminum, brass, malleable iron, stainless steel, plastic

EZ Boss-Lock



Boss-Lock



Dixon

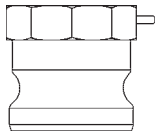


- Extremely easy to open and close without inserting clips or pins. Ideal for vibration tolerant locking.
- Resistant to accidental disconnection when dragged.

- Cast-in lugs allow safety clips to be attached once the lugs are passed through slots in the special cam lever arms. These clips prevent the coupler from being unlocked until they are removed, providing a **positive locking action**.

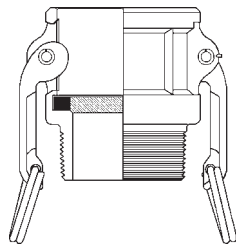
- Durable stainless steel cam arm pins will not rust or bind.
- Recess holds gasket firmly in place, ensuring proper placement.
- Long shank design allows proper banding thus eliminating the major cause of hose damage.

See Current Dixon Price List for complete pricing and part#'s.



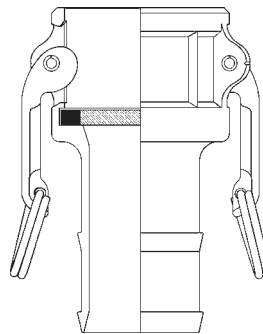
Type A

(male adapter x female NPT)



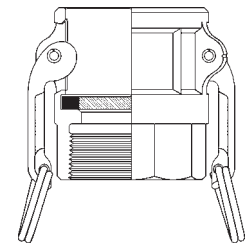
Type B

(female coupler x male NPT)



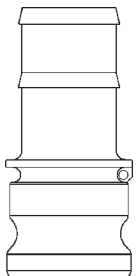
Type C

(female coupler x hose shank)



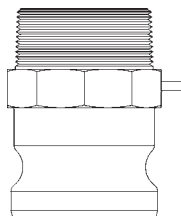
Type D

(female coupler x female NPT)



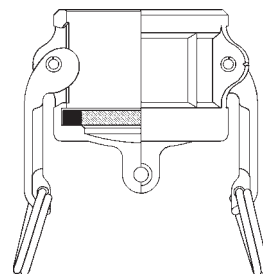
Type E

(male adapter x hose shank)



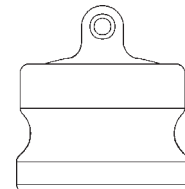
Type F

(male adapter x male NPT)



Type DC *

(dust cap)



Type DP *

(dust plug)

* Dust caps and dust plugs are *not* to be used in pressure applications for safety and environmental reasons.

Adapters and Couplers x 150# Flanged Drilling



Adapter x 150# ASA flange drilling



Dixon Coupler x 150# ASA flange drilling



EZ Boss-Lock Coupler x 150# ASA flange drilling

Size	Aluminum Part #	Iron Part #	Stainless Steel Part #
1"	---	---	100-AL-SS
1½"	---	---	150-AL-SS
2"	200-AL-AL	---	200-AL-SS
3"	300-AL-AL	300-AL-MI	300-AL-SS
4"	400-AL-AL	---	400-AL-SS
6"	600-AL-AL	---	600-AL-SS
8"	800-AL-AL*	---	---

Size	Aluminum Part #	Stainless Steel Part #
1"	---	100-DL-SS
1½"	---	150-DL-SS
2"	200-DL-AL	200-DL-SS
3"	300-DL-AL	300-DL-SS
4"	400-DL-AL	400-DL-SS
6"	600-DL-AL	600-DL-SS
8"	800-DL-AL*	---

Size	Stainless Steel Part #
1"	RDL100EZ*
1½"	RDL150EZ*
2"	RDL200EZ*
3"	RDL300EZ*
4"	RDL400EZ*
6"	RDL600EZ*

* welded fabrication

Dixon Adapters and Couplers x Round Tank Truck Flange

See flange gaskets on page 11.



Adapter x round tank truck flange



Coupler x round tank truck flange

Size	Aluminum Part #	Stainless Steel Part #
3"	300-ALT-AL	300-ALT-SS
3" x 4"	3040ALT-AL	---
4"	400-ALT-AL	400-ALT-SS
6"	600-ALT-AL	---

Size	Aluminum Part #
3"	300-DLT-AL
3" x 4"	3040DLT-AL
4"	400-DLT-AL
6"	600-DLT-AL



4" angled adapter x round tank truck flange

Size	Part #	Description
4" x 4"	40022ALTAL	4" adapter at a 22½° angle from a round tank truck flange



4" angled coupler x round tank truck flange

Size	Part #	Description
4" x 4"	40022DLTAL	4" coupler at a 22½° angle from a round tank truck flange

Adapters and Couplers with Straight Pipe Thread (NPSM)

For delivery of dry goods



Adapter

Size	Aluminum Part #
4"	400-AS-AL



Boss-Lock

Size	Aluminum Part #	Stainless Steel Part #
4"	ADS400	RDS400



Dixon Coupler

Size	Aluminum Part #	Iron Part #
4"	400-DS-AL	400-DS-MI

Vegetable fiber gaskets are standard in threaded end. Replacement fiber gasket **Part # 400GAGFI**

Railroad Tank Car Connections

Tank Car Connections are also available in other materials and in 2" and 2½" sizes. Consult factory for pricing and availability.



Hose Shank

Style S **

Swivel Nut*	Shank	Aluminum Part #	Iron Part #
5"	3"	ATCS30	TCS30
5"	4"	ATCS40	TCS40



Male NPT

Style T **

Swivel Nut*	Male NPT	Aluminum Part #	Iron Part #
5"	3"	ATCT30	TCT30
5"	4"	ATCT40	TCT40



Male NPT

Style T **

Swivel Nut*	Male NPT	Stainless Steel Part #
5"	3"	RTCT30
5"	4"	RTCT40



Cam & Groove Adapter

Style A **

Swivel Nut*	Adapter	Stainless Steel Part #
5"	3"	RTCA30
5"	4"	RTCA40

Note: Stainless steel Railroad Tank Car Connections are not compatible with aluminum and brass

* All swivel nuts have standard Railroad Tank Car Thread.

** All sizes 20° below horizontal, except 3" threaded, which is 30° below horizontal.

Dixon Tank Car Fittings

With Standard RR Tank Car Thread

Tank Car Adapter

Size	Aluminum Part #	Brass Part #	Iron Part #	Stainless Steel Part #
2" x 5"	200-TCA-AL	---	---	200-TCA-SS
3" x 5"	300-TCA-AL	300-TCA-BR	300-TCA-MI	300-TCA-SS
4" x 5"	400-TCA-AL	400-TCA-BR	---	400-TCA-SS



45° Tank Car Adapter with Swivel Nut

Size	Part #
4" x 5"	40A-45TC-AL

This unit has a long handle brass swivel nut and a swivel retaining ring.



Tank Car Gaskets

Part #	Size	Description	OD	ID	Thk
G9	5"	Cork Buna	5-1/4"	3-1/2"	3/16"



Standard

Part #	Size	Description	OD	ID	Thk
500GTCABU	5"	Buna N	5-1/4"	3-7/8"	1/8"
500GTCAVI	5"	Viton®	5-1/4"	3-7/8"	1/8"



Teflon Envelope

Part #	Size	Description	OD	ID	Thk
500GTCATF *	5"	Teflon® with Buna N Filler	5-1/4"	3-13/16"	3/16"
500GTCATV *	5"	Teflon® with Viton® Filler	5-1/4"	3-13/16"	3/16"

* This gasket is also compatible in all Dixon fittings, but may be too thick for insertion in some older Dixon fittings.

Spanner Wrench

Part #	Nuts used on
G10	alum and iron



Long Handle Wrench

Part #	Nuts used on
LHW	stainless steel



D.O.T. Push-in Fittings

See current Dixon Price List for complete pricing and part#'s.

Materials:

- Body (straights) tube, supports and grippers: brass CA360
- Forged elbows and tees: brass CA377
- O Ring: Buna N
- Thread sealant: Loctite 516

Working Pressure: Vacuum to 150 PSI

Working Temperature: -40°F to 200°F

Threads: NPTF standard

Compatible Tubing: Designed for use with SAE J844 nylon tubing meets Department of Transportation FMVSS-106

Male Elbows

(Tube to Male NPT)



Tube O.D.	Male NPT	Part #
1/4"	1/8"	AQ69DOT4x2
1/4"	1/4"	AQ69DOT4x4
3/8"	1/4"	AQ69DOT6x4

Male Connectors

(Tube to Male NPT)



Tube O.D.	Male NPT	Part #
1/4"	1/8"	AQ68DOT4x2
1/4"	1/4"	AQ68DOT4x4
1/4"	3/8"	AQ68DOT4x6
3/8"	1/4"	AQ68DOT6x4
3/8"	3/8"	AQ68DOT6x6

Swivel Male Elbows

(Tube to Male NPT)



Tube O.D.	Male NPT	Part #
1/4"	1/8"	AQ69DOTS4x2
1/4"	1/4"	AQ69DOTS4x4
1/4"	3/8"	AQ69DOTS4x6
3/8"	1/4"	AQ69DOTS6x4
3/8"	3/8"	AQ69DOTS6x6

Swivel Male Branch Tees

(Tube to Male NPT)



Tube O.D.	Male NPT	Part #
1/4"	1/8"	AQ71DOTS4x2
1/4"	1/4"	AQ71DOTS4x4

Swivel Male Branch Tees

(Tube to Tube)



Tube O.D.	Male NPT	Part #
1/4"	1/8"	AQ72DOTS4x2
1/4"	1/4"	AQ72DOTS4x4

Union Tees

(Tube to Tube)



Tube O.D.	Part #
1/4"	AQ64DOT4
3/8"	AQ64DOT6

Union Connectors

(Tube to Tube)



Tube O.D.	Part #
1/4"	AQ62DOT4
3/8"	AQ62DOT6

Unions

(Tube to Tube)



Tube O.D.	Part #
1/4"	31065600DOT
3/8"	31066000DOT

Union Elbows

(Tube to Tube)



Tube O.D.	Part #
1/4"	31025600DOT
3/8"	31026000DOT

Union Tees

(Tube to Tube to Tube)



Tube O.D.	Part #
1/4"	31045600DOT
3/8"	31046000DOT

Y Unions

(Tube to Tube)



Tube O.D.	Part #
1/4"	31405600DOT
3/8"	31406000DOT

D.O.T. Push-in Fittings

See current Dixon Price List for complete pricing and part#'s.

Male Elbows (Tube to NPT)

Tube O.D.	Male NPT	Part #
1/4"	1/4"	31095614DOT
1/4"	3/8"	31095618DOT
3/8"	1/4"	31096014DOT
3/8"	3/8"	31096018DOT



Y Connector (Male NPT to Tube)

Tube O.D.	Male NPT	Part #
1/4"	1/4"	31485614DOT



Straight Male Connectors

Tube O.D.	Male NPT	Part #
1/4"	1/4"	31155614DOT
1/4"	3/8"	31155618DOT
3/8"	1/4"	31156014DOT
3/8"	3/8"	31156018DOT



Straight Female Connectors

Tube O.D.	Male NPT	Part #
1/4"	1/4"	31145614DOT
3/8"	3/8"	31146018DOT



Male Branch Tees (Tube to Male NPT to Tube)

Tube O.D.	Male NPT	Part #
1/4"	1/4"	31085614DOT
1/4"	3/8"	31085618DOT
3/8"	1/4"	31086014DOT
3/8"	3/8"	31086018DOT



Male Branch Tees (Tube to Tube to Male NPT)

Tube O.D.	Male NPT	Part #
1/4"	1/4"	31035614DOT
1/4"	3/8"	31035618DOT
3/8"	1/4"	31036014DOT
3/8"	3/8"	31036018DOT



D.O.T. Air Brake Tubing Rolls

- Meets Department of Transportation FMVSS-106 nylon material conforming to SAE J844
- Shipped in lengths of 100'
- Working Pressure: **150 PSI**
- Temperature Range: **-40°F to 200°F**

Size O.D.	Length	Tubing Color	Part #	Work. Press.
1/4"	100'	Black	J844-04-BL-100	150
1/4"	100'	Blue	J844-04-B-100	150
1/4"	100'	Red	J844-04-R-100	150
3/8"	100'	Black	J844-06-BL-100	150
3/8"	100'	Blue	J844-06-B-100	150
3/8"	100'	Red	J844-06-R-100	150



Vacuum Gauges



- ASME B40.1, Grade B accuracy (+/- 3-2-3 % accuracy)
- ABS plastic case
- Bronze bourdon tube
- Polycarbonate crystal
- Black aluminum pointer
- Brass movement with polyester segment, designed for extended wear.
- Ambient temperature range of **-40°F to 150°F**

2" Face 1/4" Lower Mount				2" Face 1/4" Center Back Mount				2-1/2" Face 1/4" Lower Mount			
Mercury (Hg)	Fig. Inter.	Minor Grad.	Part #	Mercury (Hg)	Fig. Inter.	Minor Grad.	Part #	Mercury (Hg)	Fig. Inter.	Minor Grad.	Part #
30"	5"	.5"	GL105	30"	5"	.5"	GL205	30"	5"	.5"	GL305

Panel Mount Gauges



- Accuracy class: +/- 1% of span
- Material of wetted parts: copper alloy
- Window: acrylic, snap in
- Dial: aluminum, white
- Pointer: aluminum, black, adjustable
- Mounting flange/bracket: rear flange, stainless steel

Stainless Steel

4 1/2" Face

1/4" Lower Mount

PSI	Part #
0-15	4277750-0001
0-30	4277768-0001
0-60	4277776-0001

Standard Dry Gauges

- Polycarbonate crystal
- Black aluminum pointer
- PowerFlex™ movement with polyester segment, designed to resist the effects of shock, vibration and pulsation.
- Ambient temperature range of **-40°F to +150°F**
- ASME B40.1, Grade B (+/- 3-2-3% accuracy)
- ABS plastic case
- C-shaped bronze safety bourdon tube (**600 PSI** and lower) helical wound bronze safety bourdon tube (**1000 PSI** and higher)



1-1/2" Face
1/8" Center Back Mount

PSI	Fig. Inter.	Minor Grad.	Part #
0-30	5	.5	GC605
0-60	5	1	GC610
0-100	10	2	GC615
0-160	20	5	GC620
0-200	20	5	GC625

2" Face
1/4" Center Back Mount

PSI	Fig. Inter.	Minor Grad.	Part #
0-15	1	.5	GC200
0-30	5	.5	GC215
0-60	5	1	GC220
0-100	10	2	GC225
0-160	20	5	GC230
0-200	20	5	GC235
0-300	30	5	GC240

Standard Dry Gauges



- Polycarbonate crystal
- Black aluminum pointer
- PowerFlex™ movement with polyester segment, designed to resist the effects of shock, vibration and pulsation.
- Ambient temperature range of **-40°F to +150°F**
- ASME B40.1, Grade B (+/- 3-2-3% accuracy)
- ABS plastic case
- C-shaped bronze safety bourdon tube (**600 PSI** and lower) helical wound bronze safety bourdon tube (**1000 PSI** and higher)

2" Face
1/4" Lower Mount

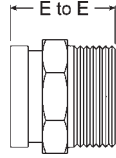
PSI	Fig. Inter.	Minor Grad.	Part #
0-15	1	.5	GL100
0-30	5	.5	GL115
0-60	5	1	GL120
0-100	10	2	GL125
0-160	20	5	GL130
0-200	20	5	GL135
0-300	30	5	GL140

Adapter Nipples

These fittings are designed to provide minimum pressure drop and uniform strength. Maximum working pressure is **1000 PSI**.

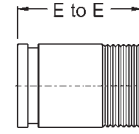
Short Hex Style - Series HN

Nominal Size	E to E	Carbon Steel Part #
2"	2-3/8"	A712S
2-1/2"	2-5/8"	A7125S
3"	2-7/8"	A713S
4"	3-1/2"	A714S



Long Pipe Style - Series AN

Nominal Size	E to E	Carbon Steel Part #
2"	4"	A712
2-1/2"	4"	A7125
3"	4"	A713
4"	6"	A714
5"	6"	A715
6"	6"	A716



Victaulic x Weld

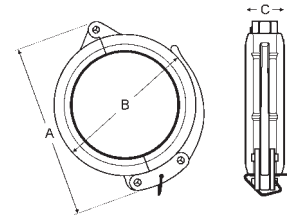
Size	Aluminum Part #	Carbon Steel Part #	316 Stainless Steel Part #
2"	AVN2000-200	VN2000-200	VNR2000-200
2-1/2"	AVN2500-200	VN2500-200	VNR2500-200
3"	AVN3000-200	VN3000-200	VNR3000-200
4"	AVN4000-200	VN4000-200	VNR4000-200



Quick Release Couplings

Quick Release couplings are specially designed for applications requiring a quick connection and/or disconnection of a pipe joint. A locking pin through the handle prevents accidental opening of the coupling. Ductile iron body with zinc plating and steel safety clip.

Interchangeable with:
Victaulic's #78
Grinnell's #7003



Nominal Size	Pipe O.D.	Max PSI	Max End Load Lbs.	Coupling Dimensions			Approx. Weight Lbs.	Part # w/EPDM gasket	Part # w/Buna-N gasket
				A	B	C			
1-1/2"	1.900"	500	850	4-3/4"	3-1/2"	1"	1.5	H315	H315BU
2"	2.375"	500	1329	5-1/2"	3-3/4"	1-3/4"	2.5	H32	H32BU
2-1/2"	2.875"	500	2120	5-7/8"	4-3/4"	1-7/8"	4.0	H325	H325BU
3"	3.500"	500	2886	7-1/4"	5-1/4"	1-3/4"	3.8	H33	H33BU
4"	4.500"	500	4771	8-1/2"	6-1/2"	2"	6.0	H34	H34BU
6"	6.625"	500	10341	10-5/8"	8-1/2"	2"	8.6	H36	H36BU

NPT Threaded Pipe Fittings

Schedule 40 Pipe



Size	Overall Length	Carbon Steel Part #	304 Stainless Steel Part #	Aluminum Part #
1/4"	2"	PN250	PNS250	----
3/8"	2"	PN375	PNS375	----
1/2"	2"	PN500	PNS500	----
3/4"	2"	PN750	PNS750	----
1"	2"	PN1000	PNS1000	----
1-1/4"	2"	PN1250	PNS1250	----
1-1/2"	2"	PN1500	PNS1500	----
2"	2"	PN2000	PNS2000	----
2-1/2"	3"	PN2500	PNS2500	----
3"	3"	PN3000	PNS3000	APN3000
4"	4"	PN4000	PNS4000	APN4000

King Combination Nipples



Hose nipples, made from tubular stock, to fit straight end hose. Threaded end, in all styles, has male NPT thread. Combination nipples are recommended for low-pressure discharge and suction service for compatible liquids. **Not for compressible products such as air or nitrogen on sizes 1 1/4" and above.** The working pressure of combination nipples will vary with the size and construction of the hose, the type and number of clamps used, clamp placement, proper installation of clamps, temperature and product being conveyed. In accordance with the RMA bulletin for oil suction and discharge hose, a coupled length of hose, in any size should be tested to 1 1/2 times the working pressure and held for fifteen minutes without leaking or coupling movement. Consult Dixon for recommendations specific to the application. **King Combination Nipples are not recommended for steam.**





The Right Connection™

Through its divisions and affiliated companies, Dixon is recognized as the premier manufacturer and supplier of hose fittings and accessories spanning a wide range of industrial uses. Dixon's reach includes products for fire protection, food, dairy processing, beverage and brewery, mobile tankers, mining, construction, chemical processing, petroleum, oilfields, refining, nuclear and manufacturing.



GOODYEAR
RUBBER PRODUCTS INC.

Call Toll Free: 1-866-711-4673
WebSales@GoodyearRubberProducts.com

**We Ship
World Wide**