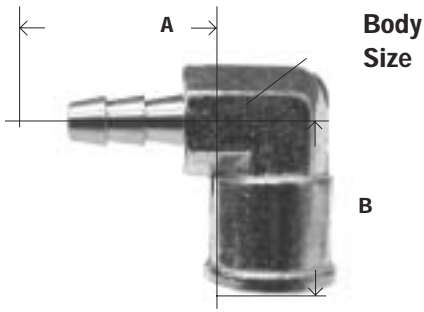
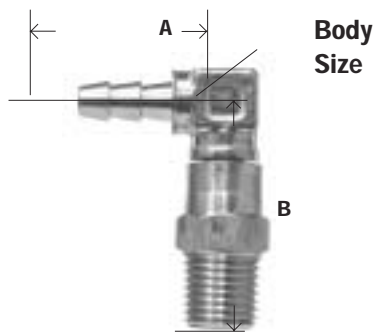


90° FEMALE HOSE BARB ELBOW



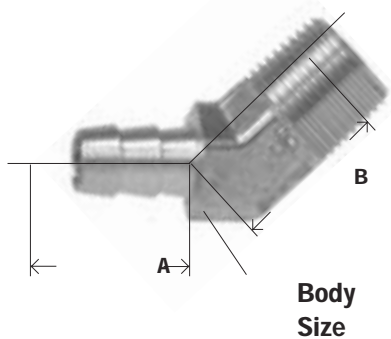
Part #	Hose I.D. x Female NPTF	A	B	Body Size	Weight per Piece. Lbs	List Price
32-401	1/4" x 1/8"	1.01	0.82	0.47	0.06	3.84
32-402	1/4" x 1/4"	1.13	0.91	0.56	0.10	3.89
32-403	3/8" x 1/8"	1.01	0.82	0.47	0.06	3.84
32-404	3/8" x 1/4"	1.15	0.91	0.56	0.10	4.37
32-405	3/8" x 3/8"	1.15	1.11	0.68	0.14	5.46
32-406	3/8" x 1/2"	1.26	1.39	0.75	0.20	7.99
32-407	1/2" x 1/4"	1.26	0.91	0.56	0.10	5.11
32-410	1/2" x 3/8"	1.24	1.11	0.68	0.14	7.42
32-411	1/2" x 1/2"	1.37	1.39	0.75	0.20	7.57

90° HOSE BARB x SWIVEL MALE PIPE



Part #	Hose I.D. x Male NPTF	A	B	Body Size	Weight per Piece. Lbs	List Price
32-421	1/4" x 1/8"	1.00	1.53	0.47	0.08	5.11
32-422	1/4" x 1/4"	1.00	1.54	0.56	0.08	5.11
32-423	3/8" x 1/8"	1.00	1.53	0.47	0.08	6.70
32-424	3/8" x 1/4"	1.00	1.54	0.56	0.08	6.70
32-426	3/8" x 3/8"	0.98	1.46	0.68	0.12	6.99
32-427	3/8" x 1/2"	1.01	1.79	0.87	0.18	7.44
32-428	1/2" x 1/4"	1.07	1.61	0.56	0.12	7.44
32-431	1/2" x 3/8"	1.07	1.53	0.68	0.14	7.75
32-432	1/2" x 1/2"	1.07	1.79	0.87	0.16	8.97

45° ELBOW



Part #	Hose I.D. x Male NPTF	A	B	Body Size	Weight per Piece. Lbs	List Price
32-110	1/4" x 1/8"	0.91	0.62	0.53	0.04	5.20
32-109*	1/4" x 1/4"	1.00	0.62	0.57	0.06	10.88
32-111	3/8" x 1/8"	0.83	0.66	0.53	0.04	5.64
32-112	3/8" x 1/4"	0.82	0.84	0.53	0.06	4.45
32-113	3/8" x 3/8"	0.93	0.87	0.59	0.08	7.14
32-346	1/2" x 1/4"	1.00	0.84	0.59	0.08	9.16
32-114	1/2" x 3/8"	1.00	0.88	0.59	0.08	6.17
32-115	5/8" x 3/8"	0.97	0.88	0.59	0.10	7.86

* Barstock

140
HE145
139HB
KF-PS45
139

If you plan on being anything less than you are capable of being, you will probably be unhappy all the days of your life.

- Abraham Maslow

