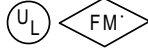


NSF 61 FULL PORT 600WOG FORGED BRASS BALL VALVE

**ISO 9002 Manufacturer
FEATURES**



1/4" - 2" Gas Approved



UL842, UL258, UL125, FM

NSF 61 CSA AGA 3.88 5 PSIG

• NSF approved for drinking water applications

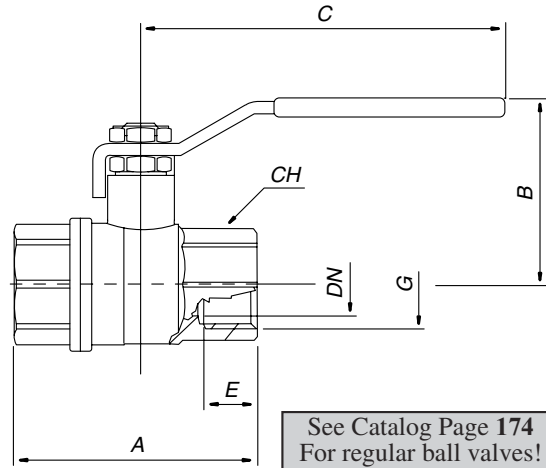
- 600 PSI non-shock cold water, gas, oil 150 PSI saturated steam
- Suitable for full range of liquids and gases
- Virgin TFE stem packing seal, thrust washer and seats
- Blue vinyl handle cover

- Solid chrome plated brass ball
- Adjustable stem packing gland
- Threaded ends to ANSI B1.20.1
- Bottom entry, blow-out proof stem



Female x Female

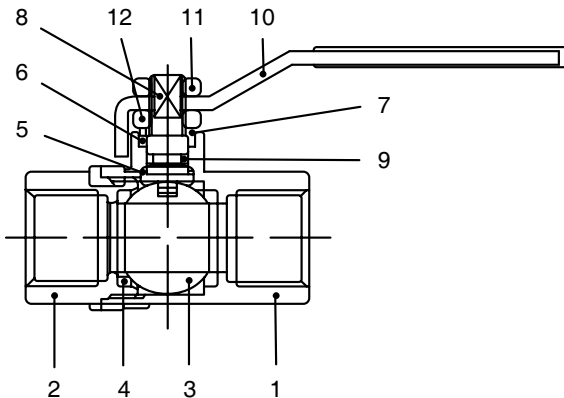
Made in Italy



See Catalog Page 174 For regular ball valves!

NSF 61 Approved Part#	Size	Dimension Inches						Box	Case	NSF 61 List
		G	DN	A	B	C	E			
943-220	1/4"	.31	1.96	1.57	3.43	.43	.74	24	240	15.45
943-221	3/8"	.39	1.96	1.57	3.43	.43	.86	24	240	15.85
943-222	1/2"	.59	2.40	1.77	3.43	.59	1.06	20	200	15.65
943-223	3/4"	.78	2.72	1.77	3.43	.64	1.26	14	140	22.98
943-224	1"	.98	3.28	2.20	4.72	.75	1.59	6	60	35.80
943-225	1-1/4"	1.25	3.86	2.36	4.72	.84	1.96	4	40	56.17
943-226	1-1/2"	1.57	4.25	3.12	6.33	.84	2.16	2	20	91.85
943-227	2"	1.96	5.03	3.12	6.33	1.01	2.76	2	12	134.87

See additional handle options on page 173



POS	Components	Materials	N
1	Body	Forged Brass	1
2	End Connection	Forged Brass	1
3	Ball	CP Brass	1
4	Ball Stems	P.T.F.E.	2
5	Stem Antif. Seat	P.T.F.E.	1
6	Stem Seat	P.T.F.E.	1
7	Brass Ring	Brass	1
8	Stem	Brass	1
9	O-Ring	NBR 80	1
10	Handle	Steel	1
11	Nut	Steel	1
12	Nut	Brass	1

VALVES

