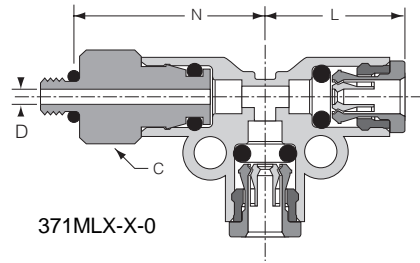


Male Run Tee Swivel W371ML

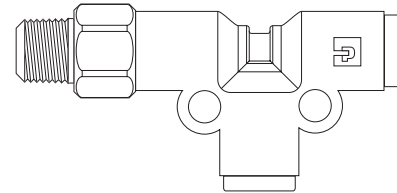
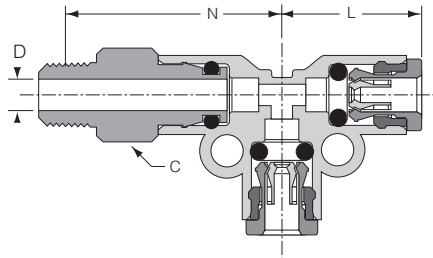
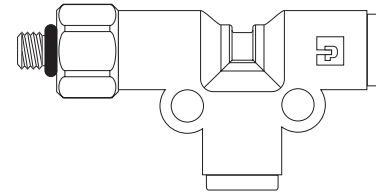
Composite Body

PART NO.	TUBE SIZE	PIPE THREAD	MOUNTING HOLE DIA.	C HEX	L	ASSM. HT. N	FLOW DIA. D
371ML-2-0	1/8	10-32	.13	3/8	.56	.85	.078
W371ML-2-1	1/8	1/16	.13	3/8	.56	.85	.081
W371ML-2-2	1/8	1/8	.13	7/16	.56	.77	.081
371ML-5/32-0	5/32	10-32	.13	3/8	.58	.85	.078
W371ML-5/32-1	5/32	1/16	.13	3/8	.58	.86	.106
W371ML-5/32-2	5/32	1/8	.13	7/16	.58	.78	.106
371ML-4-0*	1/4	10-32		3/8	.67	1.00	.078
W371ML-4-1*	1/4	1/16		3/8	.67	1.05	.156
W371ML-4-2*	1/4	1/8		7/16	.67	.93	.190
W371ML-4-4*	1/4	1/4		9/16	.67	1.00	.190
W371ML-6-2*	3/8	1/8		3/4	1.11	.88	.220
W371ML-6-4*	3/8	1/4		3/4	1.11	.97	.250
W371ML-6-6*	3/8	3/8		3/4	1.11	.94	.250
W371ML-6-8*	3/8	1/2		7/8	1.11	1.01	.250
W371ML-8-4*	1/2	1/4		7/8	1.15	1.07	.313
W371ML-8-6*	1/2	3/8		7/8	1.15	1.08	.328
W371ML-8-8*	1/2	1/2		7/8	1.15	1.15	.328

*1/4, 3/8 & 1/2 have no mounting hole



371MLX-X-0

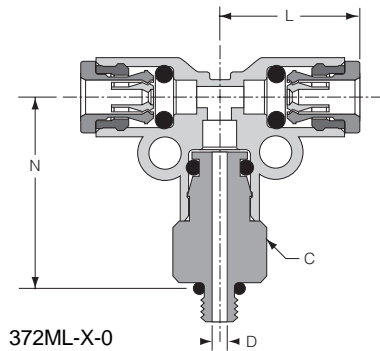


Male Branch Tee Swivel W372ML

Composite Body

PART NO.	TUBE SIZE	PIPE THREAD	MOUNTING HOLE DIA.	C HEX	L	ASSM. HT. N	FLOW DIA. D
372ML-2-0	1/8	10-32	.13	3/8	.56	.85	.078
W372ML-2-1	1/8	1/16	.13	3/8	.56	.85	.081
W372ML-2-2	1/8	1/8	.13	7/16	.56	.77	.081
372ML-5/32-0	5/32	10-32	.13	3/8	.58	.85	.078
W372ML-5/32-1	5/32	1/16	.13	3/8	.58	.86	.106
W372ML-5/32-2	5/32	1/8	.13	7/16	.58	.78	.106
372ML-4-0*	1/4	10-32		3/8	.67	1.00	.078
W372ML-4-1*	1/4	1/16		3/8	.67	1.05	.156
W372ML-4-2*	1/4	1/8		7/16	.67	.93	.190
W372ML-4-4*	1/4	1/4		9/16	.67	1.00	.190
W372ML-4-6	1/4	3/8	.17	11/16	.67	1.36	.190
W372ML-6-2*	3/8	1/8		3/4	1.11	.91	.220
W372ML-6-4*	3/8	1/4		3/4	1.11	.98	.250
W372ML-6-6*	3/8	3/8		3/4	1.11	.97	.250
W372ML-6-8*	3/8	1/2		7/8	1.11	1.05	.250
W372ML-8-4*	1/2	1/4		7/8	1.15	1.04	.313
W372ML-8-6*	1/2	3/8		7/8	1.15	1.05	.328
W372ML-8-8*	1/2	1/2		7/8	1.15	1.12	.328

*1/4, 3/8 & 1/2 have no mounting hole



372ML-X-0

