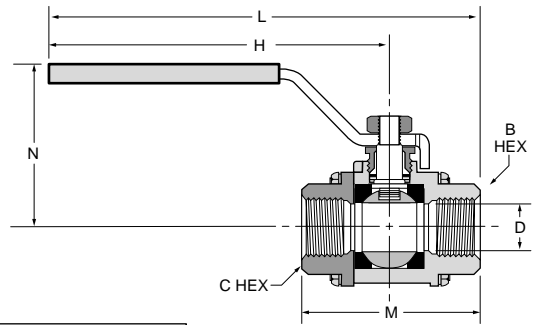


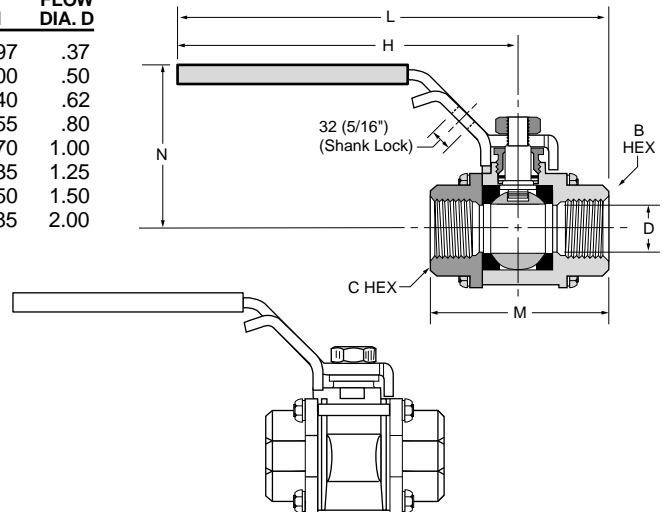
Female-Female Pipe Ends XV504SS

PART NO.	PIPE THREAD [NPT]	B HEX	C HEX	H	L	M	N	FLOW DIA. D
XV504SS-4	1/4	3/4	3/4	4.0	5.28	2.56	1.97	.37
XV504SS-6	3/8	15/16	15/16	4.0	5.28	2.56	2.00	.50
XV504SS-8	1/2	1-1/16	1-1/16	5.5	6.91	2.82	2.40	.62
XV504SS-12	3/4	1-3/8	1-3/8	5.5	7.17	3.35	2.55	.80
XV504SS-16	1	1-5/8	1-5/8	5.5	7.37	3.74	2.70	1.00
XV504SS-20	1-1/4	2	2	7.0	9.16	4.33	3.35	1.25
XV504SS-24	1-1/2	2-9/32	2-9/32	7.0	9.43	4.86	3.50	1.50
XV504SS-32	2	2-27/32	2-27/32	7.0	9.75	5.51	3.85	2.00



Locking Handle, Female-Female Pipe Ends XVP504SS

PART NO.	PIPE THREAD [NPT]	B HEX	C HEX	H	L	M	N	FLOW DIA. D
XVP504SS-4	1/4	3/4	3/4	4.0	5.28	2.56	1.97	.37
XVP504SS-6	3/8	15/16	15/16	4.0	5.28	2.56	2.00	.50
XVP504SS-8	1/2	1-1/16	1-1/16	5.5	6.91	2.82	2.40	.62
XVP504SS-12	3/4	1-3/8	1-3/8	5.5	7.17	3.35	2.55	.80
XVP504SS-16	1	1-5/8	1-5/8	5.5	7.37	3.74	2.70	1.00
XVP504SS-20	1 1/4	2	2	7.0	9.16	4.33	3.35	1.25
XVP504SS-24	1 1/2	2-9/32	2-9/32	7.0	9.43	4.86	3.50	1.50
XVP504SS-32	2	2-27/32	2-27/32	7.0	9.75	5.51	3.85	2.00



Oval Handle, Female-Female Pipe Ends XV504SS-X-21

PART NO.	PIPE THREAD [NPT]	B HEX	C HEX	H	L	M	N	FLOW DIA. D
XV504SS-4-21	1/4	3/4	3/4	1.74	3.49	2.56	1.80	.37
XV504SS-6-21	3/8	15/16	15/16	1.74	3.49	2.56	1.80	.50
XV504SS-8-21	1/2	1-1/16	1-1/16	2.68	5.35	2.81	2.47	.62
XV504SS-12-21	3/4	1-3/8	1-3/8	2.68	5.35	3.35	1.56	.80
XV504SS-16-21	1	1-5/8	1-5/8	2.68	5.35	3.74	2.65	1.00
XV504SS-20-21	1-1/4	2	2	3.27	6.54	4.33	3.30	1.25
XV504SS-24-21	1-1/2	2-9/32	2-9/32	3.27	6.54	4.86	3.50	1.50
XV504SS-32-21	2	2-27/32	2-27/32	3.27	6.54	5.51	3.85	2.00

