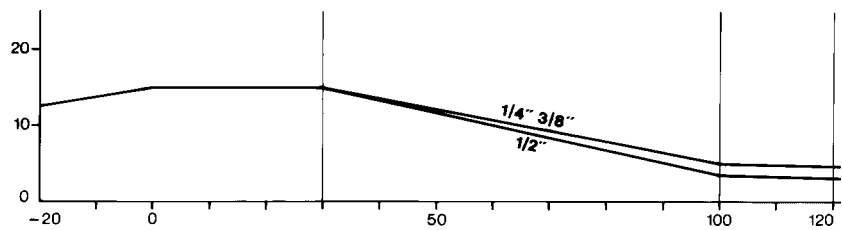


Parker Metric Ball Valves Series MBVG

Principle

The MBVG series ball valves with their compact design offer the solution to applications where space is an important factor. The body is of a particularly robust design. The integrity of the sealing on the ball is obtained by the use of PTFE seats. The valves are available with BSPP female threads ISO-228/1 (DIN 299) in : 1/4" & 3/8".

Operating pressures and temperatures



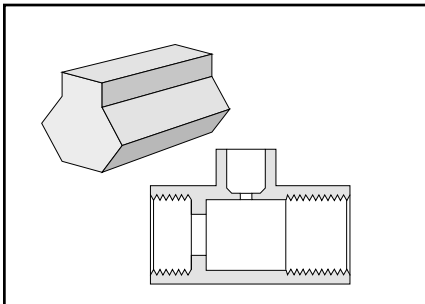
N.B. This chart gives general information. Only testing under operating conditions will finally determine which valve should be selected.

Technical Features

BODY	HANDLE RETENTION SCREW	HANDLE	STEM	STEM SEAL	BALL	ANTI EXTRUSION GUIDE PIN	NUT	SEAT SEALS
Brass Chromium Plated	Brass Chromium Plated	Polyamide	Brass	Viton	Brass Chromium Plated	Stainless Steel	Brass	PTFE

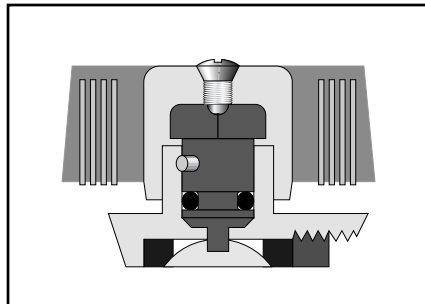
J

Advantages



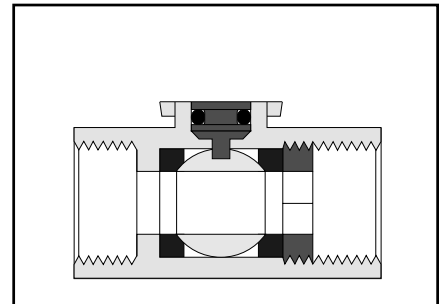
Design of the body

The valve is manufactured from a solid section which incorporates the stem housing in the body. This design allows excellent guidance of the stem, which increases its lifespan.



Stem tightness

A Viton O-Ring assembled under compression automatically compensates for minute friction wear. Thus a high standard of seal is attained.



Tightness of the seals

The perfect tightness of the seals on the casing is obtained by the preset force of the nut, adjusted during assembly.