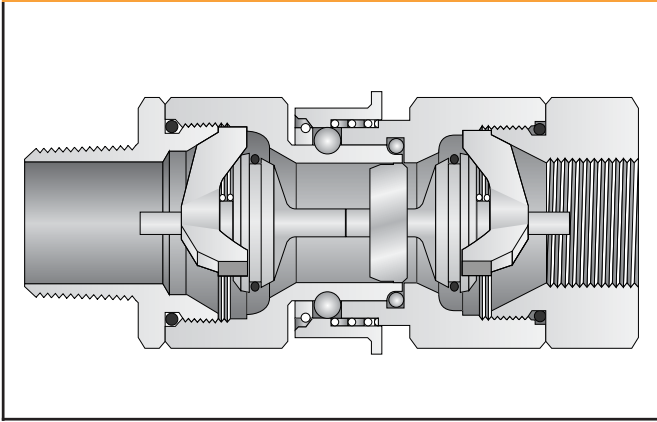
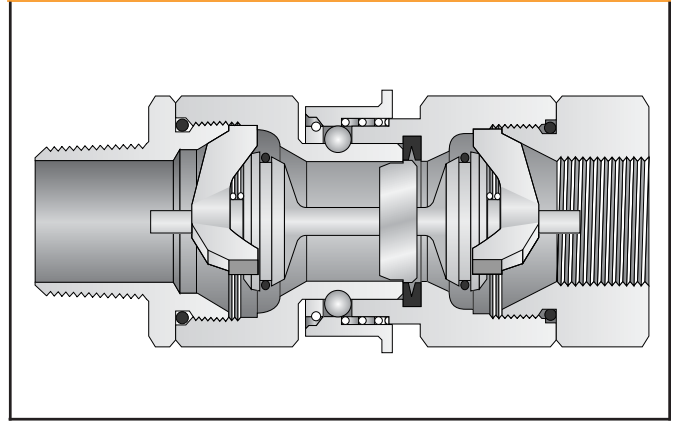


**EA SERIES - 1/4" - 3/4"**



**E SERIES - 1" - 4"**



**PRESSURE RATINGS\***

**Valved & Valved, Valved & Plain and Plain & Plain Couplings**

SIZE	STEEL				STAINLESS STEEL				BRASS				ALUMINUM			
	Maximum Working		Minimum Burst		Maximum Working		Minimum Burst		Maximum Working		Minimum Burst		Maximum Working		Minimum Burst	
	PSI	BAR	PSI	BAR	PSI	BAR	PSI	BAR	PSI	BAR	PSI	BAR	PSI	BAR	PSI	BAR
1/4"	3,000	207	6,000	414	3,000	207	6,000	414	1,500	103	3,000	207	1,500	103	3,000	207
3/8"	3,000	207	6,000	414	3,000	207	6,000	414	1,500	103	3,000	207	1,500	103	3,000	207
1/2"	3,000	207	6,000	414	3,000	207	6,000	414	1,500	103	3,000	207	1,500	103	3,000	207
3/4"	2,000	138	4,000	276	2,000	138	4,000	276	1,500	103	3,000	207	1,500	103	3,000	207
1"	1,500	103	3,000	207	1,000	69	2,000	138	500	34	1,000	69	500	34	1,000	69
1-1/4"	1,000	69	2,000	138	750	52	1,500	103	300	21	600	41	300	21	600	41
1-1/2"	1,000	69	2,000	138	750	52	1,500	103	300	21	600	41	300	21	600	41
2"	750	52	1,500	103	500	34	1,000	69	300	21	600	41	300	21	600	41
2-1/2"	500	34	1,000	69	400	28	800	55	300	21	600	41	300	21	600	41
3"	500	34	1,000	69	300	21	600	41	200	14	400	28	200	14	400	28
4"	500	34	1,000	69	200	14	400	28	150	10	300	21	150	10	300	21

\*Note: Pressure ratings were established under static pressure conditions. Therefore, pressure ratings for any given flow, pressure surge, and/or vibration may vary from those ratings.

**VACUUM CAPABILITY AT STANDARD BAROMETRIC CONDITIONS**

	EA SERIES								E SERIES							
	1/4"		3/8"		1/2"		3/4"		1"		1-1/4"		1-1/2"		2"	
	IN.HG	ATM	IN.HG	ATM	IN.HG	ATM	IN.HG	ATM	IN.HG	ATM	IN.HG	ATM	IN.HG	ATM	IN.HG	ATM
CONNECTED	29.7	.99	29.7	.99	29.7	.99	29.7	.99	29.7	.99	28.0	.94	27.0	.90	26.0	.87
COUPLER OR NIPPLE ALONE (DISCONNECTED)	29.7	.99	29.7	.99	29.7	.99	29.7	.99	20.5	.69	12.0	.40	4.2	.14	4.5	.15