



Full Port Forged Brass Ball Valves Heavy Pattern w/304 Stainless Steel Handle

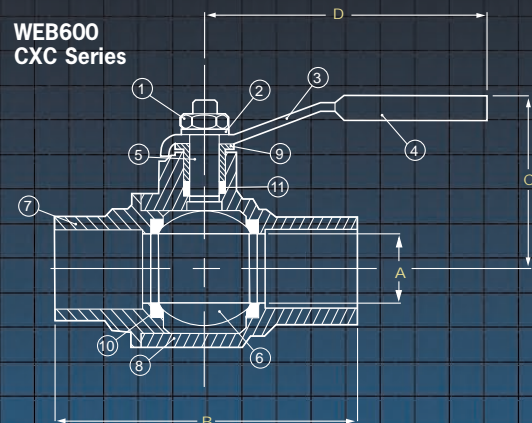
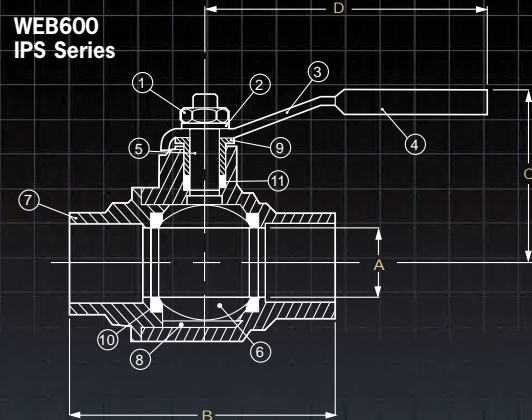
Item#	Size	Ctn/Cs	A	B	C	D	Cv
304 S.S. Handle							
46002	1/2 IPS	12/72	9/16	2 5/16	1 7/8	4	11.47
46003	3/4 IPS	10/60	3/4	2 5/8	2	4	27.01
46004	1 IPS	8/32	1	3 1/8	2 5/8	4 3/4	49.30
46005	1 1/4 IPS	6/24	1 1/4	3 5/8	2 3/4	4 3/4	114.03
46006	1 1/2 IPS	4/12	1 1/2	4	3 5/16	6 3/8	161.30
46007	2 IPS	3/9	2	4 13/16	3 5/8	6 3/8	248.61
56002	1/2 CXC	12/72	9/16	2 5/16	1 5/16	4	11.47
56003	3/4 CXC	10/60	3/4	2 13/16	2 1/16	4	27.01
56004	1 CXC	8/32	1	3 1/2	2 1/2	4 3/4	49.30
56005	1 1/4 CXC	6/24	1 1/4	4 1/4	2 7/8	4 3/4	114.03
56006	1 1/2 CXC	4/12	1 1/2	4 5/8	3 3/8	6 3/8	161.30
56007	2 CXC	3/9	2	5 9/16	3 9/16	6 3/8	248.61

Item#	Size	Ctn/Cs	A	B	C	D	Cv
316 S.S. Ball, Stem & 304 S.S. Handle							
46012	1/2 IPS	12/72	9/16	2 5/16	1 7/8	4	11.47
46013	3/4 IPS	10/60	3/4	2 5/8	2	4	27.01
46014	1 IPS	8/32	1	3 1/8	2 5/8	4 3/4	49.30
46015	1 1/4 IPS	6/24	1 1/4	3 5/8	2 3/4	4 3/4	114.03
46016	1 1/2 IPS	4/12	1 1/2	4	3 5/16	6 3/8	161.30
46017	2 IPS	3/9	2	4 13/16	3 5/8	6 3/8	248.61
56012	1/2 CXC	12/72	9/16	2 5/16	1 5/16	4	11.47
56013	3/4 CXC	10/60	3/4	2 13/16	2 1/16	4	27.01
56014	1 CXC	8/32	1	3 1/2	2 1/2	4 3/4	49.30
56015	1 1/4 CXC	6/24	1 1/4	4 1/4	2 7/8	4 3/4	114.03
56016	1 1/2 CXC	4/12	1 1/2	4 5/8	3 3/8	6 3/8	161.30
56017	2 CXC	3/9	2	5 9/16	3 9/16	6 3/8	248.61

Item#	Size	Ctn/Cs	A	B	C	D	Cv
316 S.S. Ball, 90° Stem & 304 S.S. Handle							
46022	1/2 IPS	12/72	9/16	2 5/16	1 7/8	4	11.47
46023	3/4 IPS	10/60	3/4	2 5/8	2	4	27.01
46024	1 IPS	8/32	1	3 1/8	2 5/8	4 3/4	49.30
46025	1 1/4 IPS	6/24	1 1/4	3 5/8	2 3/4	4 3/4	114.03
46026	1 1/2 IPS	4/12	1 1/2	4	3 5/16	6 3/8	161.30
46027	2 IPS	3/9	2	4 13/16	3 5/8	6 3/8	248.61
56022	1/2 CXC	12/72	9/16	2 5/16	1 5/16	4	11.47
56023	3/4 CXC	10/60	3/4	2 13/16	2 1/16	4	27.01
56024	1 CXC	8/32	1	3 1/2	2 1/2	4 3/4	49.30
56025	1 1/4 CXC	6/24	1 1/4	4 1/4	2 7/8	4 3/4	114.03
56026	1 1/2 CXC	4/12	1 1/2	4 5/8	3 3/8	6 3/8	161.30
56027	2 CXC	3/9	2	5 9/16	3 9/16	6 3/8	248.61

Item#	Size	Ctn/Cs	A	B	C	D	Cv
90° Brass Stem & 304 S.S. Handle							
46032	1/2 IPS	12/72	9/16	2 5/16	1 7/8	4	11.47
46033	3/4 IPS	10/60	3/4	2 5/8	2	4	27.01
46034	1 IPS	8/32	1	3 1/8	2 5/8	4 3/4	49.30
46035	1 1/4 IPS	6/24	1 1/4	3 5/8	2 3/4	4 3/4	114.03
46036	1 1/2 IPS	4/12	1 1/2	4	3 5/16	6 3/8	161.30
46037	2 IPS	3/9	2	4 13/16	3 5/8	6 3/8	248.61
56032	1/2 CXC	12/72	9/16	2 5/16	1 5/16	4	11.47
56033	3/4 CXC	10/60	3/4	2 13/16	2 1/16	4	27.01
56034	1 CXC	8/32	1	3 1/2	2 1/2	4 3/4	49.30
56035	1 1/4 CXC	6/24	1 1/4	4 1/4	2 7/8	4 3/4	114.03
56036	1 1/2 CXC	4/12	1 1/2	4 5/8	3 3/8	6 3/8	161.30
56037	2 CXC	3/9	2	5 9/16	3 9/16	6 3/8	248.61

No.	Descript.	Qty. per valve	Material
1.	HANDLE NUT	1	304 STAINLESS STEEL
2.	LOCK WASHER	1	304 STAINLESS STEEL
3.	HANDLE	1	304 STAINLESS STEEL
4.	HANDLE JACKET	1	VINYL
5.	STEM	1	BRASS (ASTM B124-C37700) 316 SS OPTION
6.	BALL	1	BRASS/HARD CHROME PLATE 316 SS OPTION
7.	END CAP	1	FORGED BRASS (ASTM B283-C37700)
8.	BODY	1	FORGED BRASS (ASTM B283-C37700)
9.	PACKING GLAND	1	BRASS (ASTM B124-C37700)
10.	SEATS	2	TEFLON® (PTFE)
11.	STEM SEAL	1	TEFLON® (PTFE)



DESIGNED FOR residential, commercial and industrial use with water, oil or gas. Extra heavy duty forged brass body. Hard chrome plated brass ball encompassed by Teflon® seats. The valve is actuated by a blowout-proof stem with a Teflon® seal and features an adjustable packing nut. All sizes feature a vinyl coated 304 stainless steel handle for a long corrosion-proof life. Assembled in the United States from domestic and superior foreign components.



THE WEB 600



Innovative



Call Toll Free: 1-866-711-4673
WebSales@GoodyearRubberProducts.com

**We Ship
World Wide**