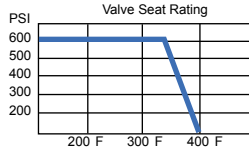


4062 SERIES

FULL PORT FORGED BRASS BALL VALVES w/BLEEDER IPS (600 WOG/150 WSP) - ISO 9001

Designed for residential and commercial use with water, oil or gas. Heavy duty forged brass body. Extra hard chrome plated solid brass ball with Teflon® seats. This approved Webstone valve is actuated by a blowout proof stem and features a Teflon® seal and an adjustable packing gland. Vinyl coated stamped steel handle. The drain feature allows air to be vented from the line to prevent water hammer or vibration. This valve is a great alternative to the conventional globe style stop and waste.



all Teflon® seated valves
Maximum Temperature is 400°F @ 100 PSI*

PRESSURE RATING

600 WOG non-shock
150 WSP

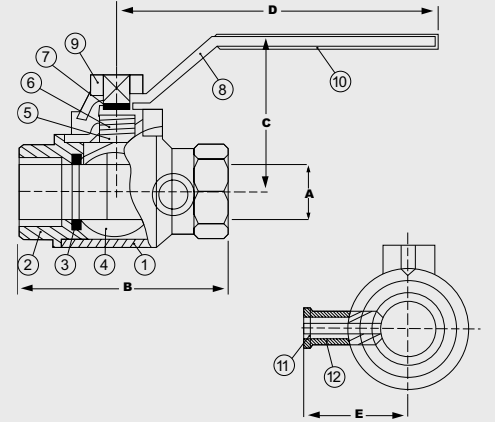
1. Conforms to Federal Spec. WWV-35C
2. Threaded ends comply with ANSI B1 20.1
3. Teflon® seats withstand temperatures from -40°F to 400°F
4. Manufactured in an ISO 9001 Facility

Teflon® is a registered trademark of Dupont.

THIS SPACE FOR DESIGNER / ENGINEER APPROVAL

Job/Customer _____	Date _____	Contractor _____
Model Specified _____	Qty _____	Approved By _____
Designer/Engineer _____	Date _____	Contractor's PO # _____
Submitted by _____	Date _____	Other _____

1.	BODY	FORGED BRASS (ASTM B283-C37700)
2.	END CAP	FORGED BRASS (ASTM B283-C37700)
3.	SEATS	TEFLON® (PTFE)
4.	BALL	BRASS/HARD CHROME PLATE
5.	STEM	BRASS (ASTM B124-C37700)
6.	STEM SEAL	TEFLON® (PTFE)
7.	PACKING GLAND	BRASS (ASTM B124-C37700)
8.	HANDLE	C.P. STEEL
9.	NUT	C.P. STEEL
10.	HANDLE JACKET	VINYL GRIP
11.	DRAIN PACKING	NEOPRENE
12.	DRAIN CAP	BRASS (ASTM B16-C36000)



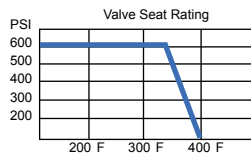
ITEM	SIZE	CTN/CS	A	B	C	D	E	Cv
40622	1/2	20/80	9/16	2 3/16	1 15/16	3 1/2	1	11.47
40623	3/4	12/48	3/4	2 1/2	2 1/4	3 3/4	1 1/4	27.01
40624	1	10/32	15/16	2 7/8	2 1/2	4 1/2	1 3/8	49.30

Cv The number of gallons of water per minute that pass through the valve at a 1lb pressure drop.

5062 SERIES

FULL PORT FORGED BRASS BALL VALVES w/BLEEDER CxC (600 WOG/150 WSP) - ISO 9001

Designed for residential and commercial use with water, oil or gas. Heavy duty forged brass body. Extra hard chrome plated solid brass ball with Teflon® seats. This approved Webstone valve is actuated by a blowout proof stem and features a Teflon® seal and an adjustable packing gland. Vinyl coated stamped steel handle. The drain feature allows air to be vented from the line to prevent water hammer or vibration. This valve is a great alternative to the conventional globe style stop and waste.



all Teflon® seated valves
Maximum Temperature is 400°F @ 100 PSI*

PRESSURE RATING

600 WOG non-shock
150 WSP

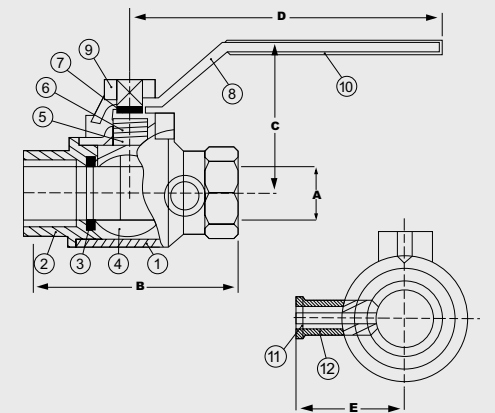
1. Conforms to Federal Spec. WWV-35C
2. Solder ends comply with ANSI B16.18
3. Teflon® seats withstand temperatures from -40°F to 400°F
4. Manufactured in an ISO 9001 Facility

Teflon® is a registered trademark of Dupont.

THIS SPACE FOR DESIGNER / ENGINEER APPROVAL

Job/Customer _____	Date _____	Contractor _____
Model Specified _____	Qty _____	Approved By _____
Designer/Engineer _____	Date _____	Contractor's PO # _____
Submitted by _____	Date _____	Other _____

1.	BODY	FORGED BRASS (ASTM B283-C37700)
2.	END CAP	FORGED BRASS (ASTM B283-C37700)
3.	SEATS	TEFLON® (PTFE)
4.	BALL	BRASS/HARD CHROME PLATE
5.	STEM	BRASS (ASTM B124-C37700)
6.	STEM SEAL	TEFLON® (PTFE)
7.	PACKING GLAND	BRASS (ASTM B124-C37700)
8.	HANDLE	C.P. STEEL
9.	NUT	C.P. STEEL
10.	HANDLE JACKET	VINYL GRIP
11.	DRAIN PACKING	NEOPRENE
12.	DRAIN CAP	BRASS (ASTM B16-C36000)



ITEM	SIZE	CTN/CS	A	B	C	D	E	Cv
50622	1/2	25/100	9/16	2 1/2	1 15/16	3 1/2	1	11.47
50623	3/4	10/40	3/4	3	2 1/4	3 3/4	1 1/4	27.01
50624	1	6/24	15/16	3 3/4	2 1/2	4 1/2	1 3/8	49.30