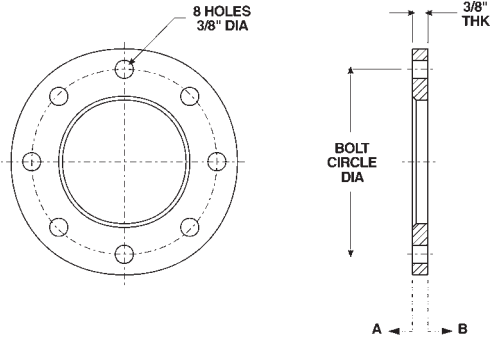


Tanker Accessories

Illustrated and described below are Bayco brand accessories for use with petroleum tankers. All are quality built for dependable long life service.

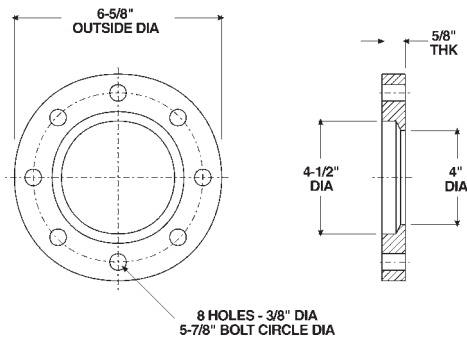
Aluminum TTMA Weldable Flanges



- For welding to 3" and 4" TTMA aluminum pipe
- Standard 3" and 4" TTMA bolt pattern
- Side A, I.D. beveled to aid welding
- Side B, machined surface for gasket seal
- 3" TTF3AL bolt circle diameter = 4.875"
- 4" TTF4AL bolt circle diameter = 5.875"
- See page 7 for tank truck gaskets.

Part #	Size
TTF3AL	3"
TTF4AL	4"

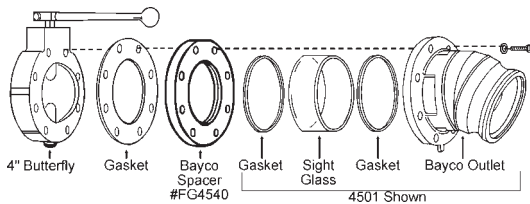
Aluminum TTMA Butterfly Spacer



- Special flange for sight glass installation
- Allows Bayco brand series 4500 drop adapter outlets (*with sight glass*) to be used with 4" butterfly valves (not supplied by Dixon Bayco)
- All surfaces machined
- Standard 4" TTMA bolt pattern
- See page 7 for tank truck gaskets.

Part #	Size
FG4540	4"

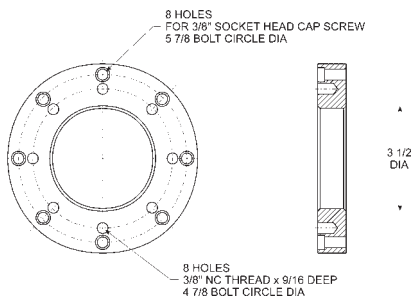
API Flanged Outlets with Sight Glass



Part #	Description
4501	3" male x 4" TTMA flange x 22½°
4502	4" male x 4" TTMA flange x 22½°
4503	4" male x 4" TTMA flange straight
4503SPECIAL	4" male x 4" TTMA flange straight, no sight glass
4504	4" female x 4" TTMA flange x 22½° coupler

See page 7 for tank truck gaskets.

Aluminum TTMA 4" to 3" Reducing Flange



- Allows bolting of 4" TTMA flanged product to 3" TTMA flanged product
- 4" TTMA hole pattern (*for 8, 3/8" socket head cap screws*)
- 3" TTMA blind hole pattern (*8, 3/8" NC thread x 9/16" deep*)
- All surfaces machined
- See *page 7* for tank truck gaskets.

Part #
4443

Dimensions of Tank Truck Flanges (TTMA Drilling)

Nominal Pipe Size	Flange O.D.	Thickness *	Diameter of Bolt Circle	Number of Bolts	Diameter of Bolt Holes	Diameter of Bolts
3"	5-5/8"	3/8"	4-7/8"	8	7/16"	3/8"
4"	6-5/8"	3/8"	5-7/8"	8	7/16"	3/8"
6"	8-7/8"	3/8"	8-1/8"	12	7/16"	3/8"

* Listed thickness is for aluminum flanges