
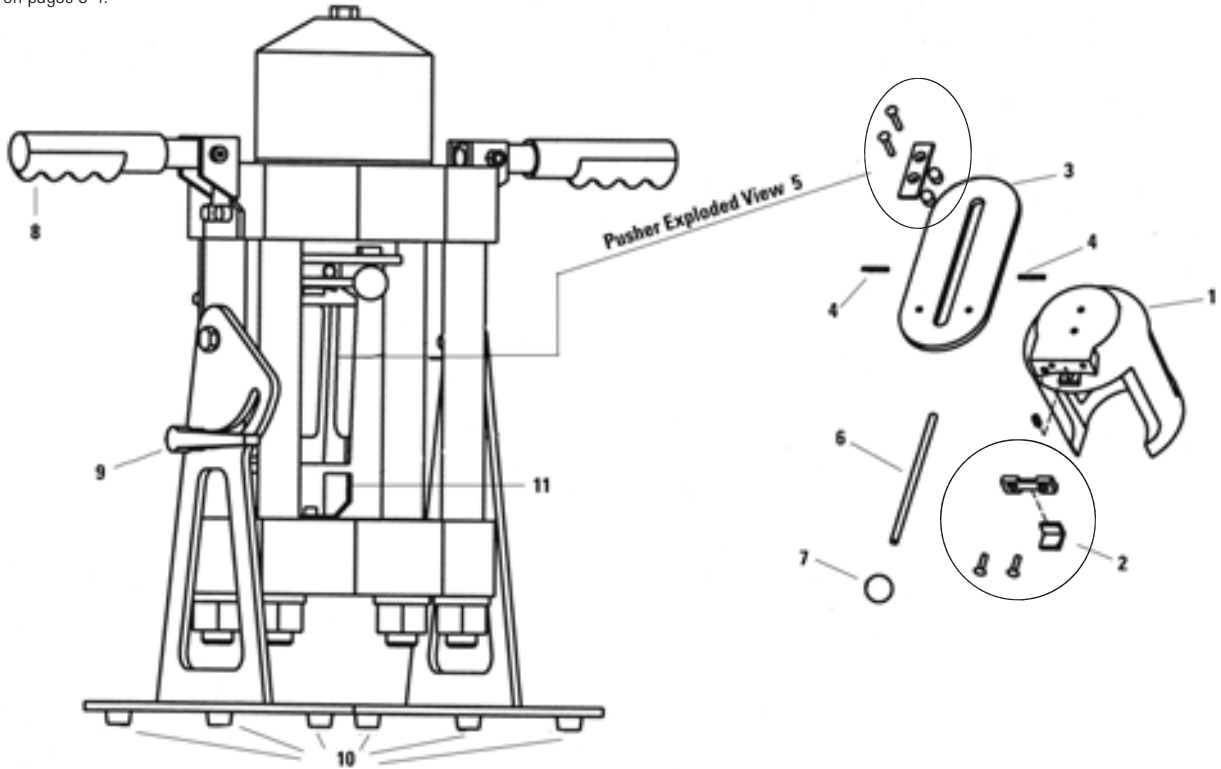


Equipment

Coll-O-Crimp Portable T-480

 Refer to safety information regarding Coll-O-Crimp hose, hose fittings and assembly equipment compatibility on pages 3-4.



Repair & Replacement Items

ITEM NUMBER	QTY.	PART NUMBER	DESCRIPTION	REMARKS
1	1	T-480-P	Pusher	
2	1	T-480-PSK	Pusher Stop Repair Kit	Includes pusher clip, 2 machine screws, pusher stop & spring
3	1	T-480-SP	Slider Plate	
4	2	140-05485-01*	Roll Pin	
5	1	T-480-SFK	Slide Flange Kit	Includes slide flange, 2 bushings & 2 machine screws
6	1	T-480-SPR	Slide Pull Rod	
7	1	T-480-SPK	Slide Pull Knob	
8	2	140-06601*	Vinyl Grip	
9	1	T-480-TBK	Tilt Bracket Knob	
10	6	140-06894*	Foot Pad	
11	1	T-480-69 Tool	Locator Bracket	
#	1	T-480-16	Hose Assembly	10,000 PSI replacement hose assembly for T-480-HP
#	1	T-480-17	Hose Assembly	10,000 PSI replacement hose assembly for T-480-TA and T-480-EP
#	1	T-480-18 Hose	Assembly	10,000 PSI replacement hose assembly for T-480-AH
#	1	140-06906*	Hydraulic Quick Coupler	Used with the T-480-TA and T-480-EP System
#	1	T-480-3	Turbo Air/Hydraulic Pump	Replacement pump for T-480-TA System
#	1	T-481-110	Electric Pump	Replacement pump for T-480-EP System
#	1	T-480-2	Hand Pump	Replacement pump for T-480-HP System
#	1	T-482-2	Air/Hydraulic Pump	Replacement pump for T-480-AH System
#	1	T-480-M	Set-up & Operating Guide	For T-480 System

Item not illustrated in parts breakdown.

* Please contact Customer Support at 1-888-258-0222 for price and availability on these items.