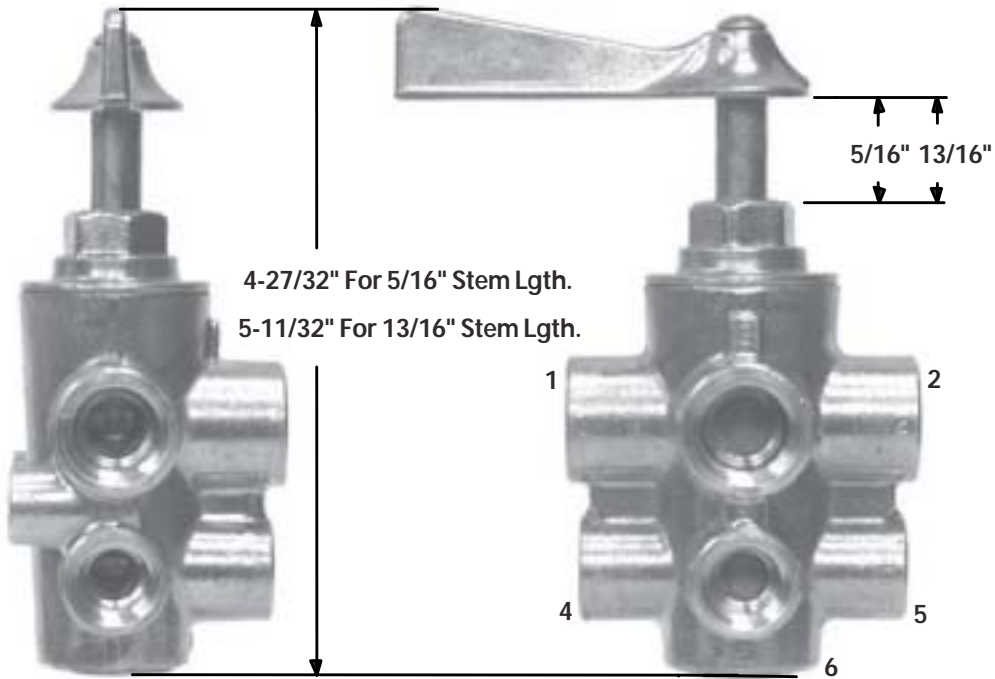
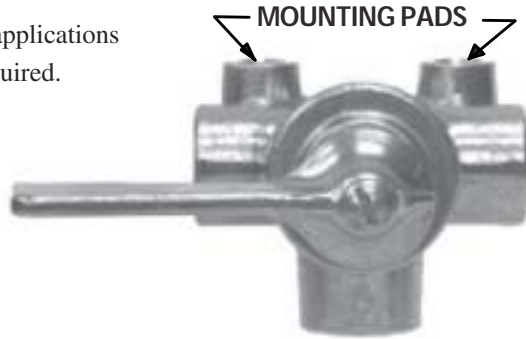


SIX PORT VALVES

- Designed primarily for diesel engine applications where a fuel return or spill back is required.



Maximum Handle Travel 180° Mounting Pads for Bolt Mounting

Openings

With Handle Lever over 2:
(All Ports Closed)

With Handle Lever over 3:
(Open: 1-3 and 4-6, Closed: 2 and 5)

Part #	Ind. #	Female Pipe Thread of 1-2-3 4-5-6	Stem	Length Type	List Price
46-238	SK-1036	1/2 x 3/8	13/16	1	839.16

More sizes available...just ask!

