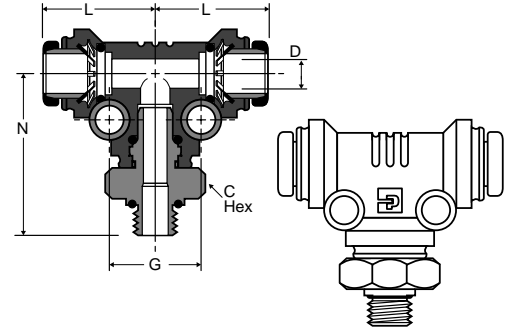


**Male Branch Tee Swivel PLS2BF4-K BSPP**

Composite Body

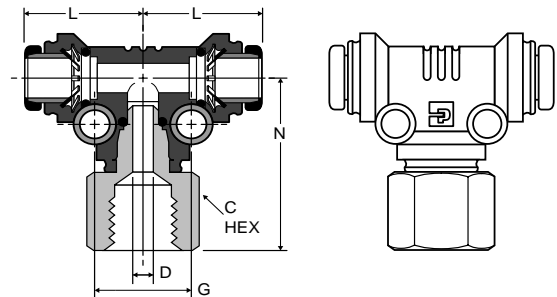
PART NO.	TUBE SIZE	PIPE THREAD BSPP	C HEX	MOUNTING HOLE DIA.	L	N	G	D
3-1/8PLS2BF4-K	3/16	1/8-28	11/16	.17	.76	1.05	.64	.150
3-1/4PLS2BF4-K	3/16	1/4-19	3/4	.17	.76	1.31	.64	.150
4-1/8PLS2BF4-K	1/4	1/8-28	11/16	.17	.76	1.06	.64	.180
4-1/4PLS2BF4-K	1/4	1/4-19	3/4	.17	.76	1.31	.64	.170
6-1/4PLS2BF4-K	3/8	1/4-19	3/4	.17	1.04	1.57	.83	.300
6-3/8PLS2BF4-K	3/8	3/8-19	7/8	.17	1.04	1.68	.83	.300
6-1/2PLS2BF4-K	3/8	1/2-14	1-1/16	.17	1.04	1.83	.83	.300
8-3/8PLS2BF4-K	1/2	3/8-19	7/8	.17	1.30	1.90	.99	.410



**Female Branch Tee Swivel 377PL**

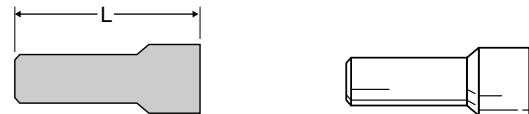
Composite Body

PART NO.	TUBE SIZE	PIPE THREAD [NPTF]	C HEX	MOUNTING HOLE DIA.	L	N	G	D
377PL-2-2	1/8	1/8	9/16	.17	.70	1.01	.52	.080
377PL-5/32-2	5/32	1/8	9/16	.13	.70	1.01	.52	.090
377PL-5/32-4	5/32	1/4	3/4	.13	.70	1.23	.52	.090
377PL-4-2	1/4	1/8	9/16	.17	.76	1.07	.64	.170
377PL-4-4	1/4	1/4	3/4	.17	.76	1.29	.64	.170
377PL-5-4	5/16	1/4	3/4	.17	.84	1.37	.72	.230
377PL-6-4	3/8	1/4	3/4	.17	1.04	1.57	.83	.300
377PL-8-6	1/2	3/8	7/8	.17	1.30	1.84	.99	.410



**Plug 639PL**

PART NO.	TUBE SIZE	L
639PL-2	1/8	1.30
639PL-5/32	5/32	1.34
639PL-4	1/4	1.34
639PL-5	5/16	1.28
639PL-6	3/8	1.50
639PL-8	1/2	1.69



**Union Y Connector 362PL**

Composite Body

PART NO.	TUBE SIZE	MOUNTING HOLE DIA.	L	N	N1	G	D
362PL-2	1/8	.13	1.38	.92	.41	.57	.130
362PL-5/32	5/32	.13	1.36	.92	.41	.57	.160
362PL-3	3/16	.17	1.49	1.13	.54	.67	.200
362PL-4	1/4	.17	1.49	1.13	.53	.67	.260
362PL-5	5/16	.17	1.49	1.21	.54	.72	.320
362PL-6	3/8	.17	1.88	1.54	.71	.76	.380

