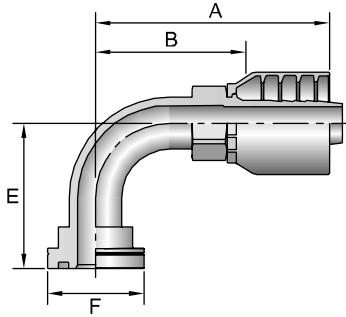


Hose  
A  
Fittings  
70 Series  
B  
Equipment  
C  
Accessories  
D  
Technical  
E

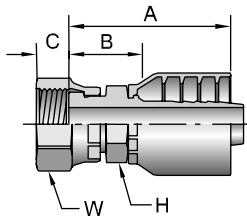


### 16N70

#### SAE Code 62 Flange Head - 90° Elbow

ISO 12151-3 - E90S - S ( 1 Piece: ISO 12151-3 - E90M - S)

# Part Number	Flange inch	Hose I.D. inch	A		E		F		B	
			inch	mm	inch	mm	inch	inch	mm	
16N70-8-8	1/2	1/2	2.60	66	1.61	41	1-1/4	1.34	34	

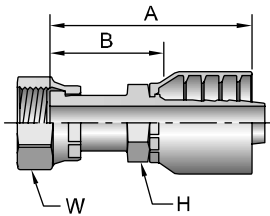


### 1JC70

#### Female Seal-Lok® - Swivel - Short

ISO 12151- 1 - SWSA

# Part Number	Thread		Hose I.D. inch	A		C	H	W	B		
	inch	inch		inch	mm				inch	inch	inch
1JC70-6-6	3/8	11/16x16	3/8	1.94	49	0.34	9	11/16	13/16	1.04	26
1JC70-8-6	1/2	13/16x16	3/8	2.00	51	0.43	11	13/16	15/16	1.10	28
1JC70-8-8	1/2	13/16x16	1/2	2.22	56	0.43	11	13/16	15/16	1.01	26
1JC70-10-10	5/8	1x14	5/8	2.40	61	0.53	13	15/16	1-1/8	1.15	29

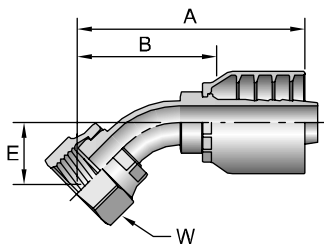


### 1JS70

#### Female Seal-Lok® - Swivel - Long

ISO 12151-1 - SWSB

# Part Number	Thread		Hose I.D. inch	A		H	W	B	
	inch	inch		inch	mm			inch	inch
1JS70-6-6	3/8	11/16x16	3/8	2.28	58	11/16	13/16	1.38	35
1JS70-8-8	1/2	13/16x16	1/2	2.65	67	13/16	15/16	1.44	37
1JS70-12-8	3/4	1-3/16x12	1/2	2.90	74	1-1/8	1-3/8	1.69	43
1JS70-12-10	3/4	1-3/16x12	5/8	3.10	79	1-1/8	1-3/8	1.85	47



### 1J770

#### Female Seal-Lok® - Swivel - 45° Elbow

ISO 12151-1 - SWE45

# Part Number	Thread		Hose I.D. inch	A		E		W	B	
	inch	inch		inch	mm	inch	mm		inch	inch
1J770-10-10	5/8	1x14	5/8	3.08	78	0.63	16	1-1/8	1.83	46

See Accessories for Flange Kits and O-Rings.