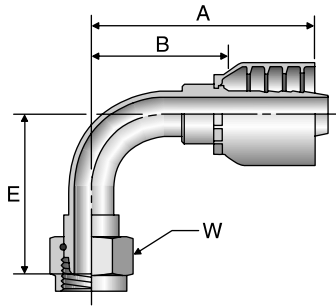


Hose
A

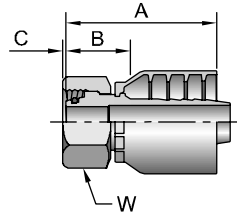


1B270

Female BSP Parallel Pipe - Swivel - 90° Elbow - (60° Cone)
ISO 228-1

# Part Number	Thread inch	Hose I.D. inch	A		E		W mm	B	
			inch	mm	inch	mm		inch	mm
1B270-8-8	1/2x14	1/2	2.76	70	1.54	39	27	1.38	35
1B270-10-10	5/8x14	5/8	3.07	78	1.81	46	30	1.61	41
1B270-12-10	3/4x14	5/8	3.19	81	1.65	42	32	1.61	41

Fittings
70 Series
B



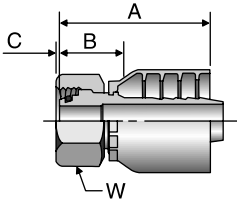
1C970

Female Metric S - Swivel - (24° Cone with O-Ring)

# Part Number	Thread mm	Hose I.D. inch	A		C		W mm	B	
			inch	mm	inch	mm		inch	mm
1C970-12-6	12 M20x1,5	3/8	2.03	52	0.03	1	24	1.13	29
1C970-16-8	16 M24x1,5	1/2	2.31	59	0.09	2	30	1.10	28
1C970-20-10	20 M30x2	5/8	2.51	64	0.05	1	36	1.26	32

When measuring overall length to end of nut, B + C dimensions must be used to calculate cut-off allowance.

Equipment
C

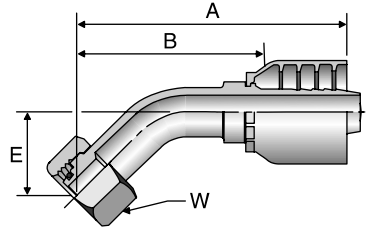


1CA70

Female Metric L - Swivel - (24° Cone with O-Ring)
ISO 12151-2 - SWS

# Part Number	Thread mm	Hose I.D. inch	A		C		W mm	B	
			inch	mm	inch	mm		inch	mm
1CA70-12-6	12 M18x1,5	3/8	2.09	53	0.04	1	22	0.94	24
1CA70-15-8	15 M22x1,5	1/2	2.09	62	0.07	2	22	0.94	27
1CA70-18-10	18 M26x1,5	5/8	2.44	62	0.02	0.5	32	1.02	26

Accessories
D



1CE70

Female Metric L - Swivel - 45° Elbow - (24° Cone with O-Ring)
ISO 12151-2 - SWE45

# Part Number	Thread mm	Hose I.D. inch	A		E		W mm	B	
			inch	mm	inch	mm		inch	mm
1CE70-18-10	18 M26x1,5	5/8	3.58	91	0.98	25	32	2.05	52

Technical
E