

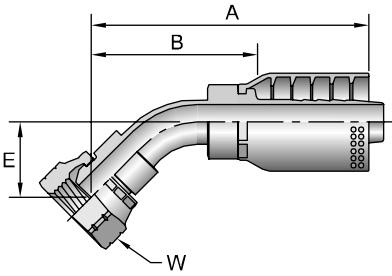
Hose
A

Fittings
73 Series
B

Equipment
C

Accessories
D

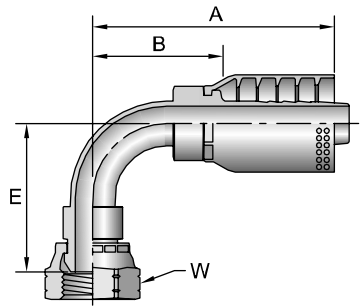
Technical
E



1G173
Female BSP Parallel Pipe - Swivel - 45° Elbow - (60° Cone)

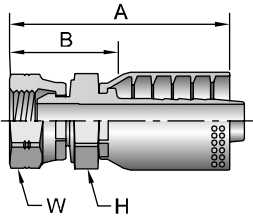
# Part Number	Thread inch	Hose I.D. inch	A		E		W mm	B	
			inch	mm	inch	mm		inch	mm
1G173-12-12	3/4x14	3/4	4.77	121,2	1.35	34,4	36	2.96	75,2
1G173-16-16	1x11	1	5.36	136,1	1.52	38,7	41	3.42	86,9

1G273
Female BSP Parallel Pipe - Swivel - 90° Elbow - (60° Cone)



# Part Number	Thread inch	Hose I.D. inch	A		E		W mm	B	
			inch	mm	inch	mm		inch	mm
1G273-12-12	3/4x14	3/4	4.12	104,6	2.62	66,6	36	2.31	58,7
1G273-16-16	1x11	1	4.71	119,6	3.04	77,2	41	2.77	70,4

1GU73
Female BSP Parallel Pipe - Swivel - (60° Cone)



# Part Number	Thread inch	Hose I.D. inch	A		H	W	B	
			inch	mm	mm	mm	inch	mm
1GU73-12-12	3/4x14	3/4	3.76	95,5	36	36	1.95	49,5
1GU73-16-16	1x11	1	4.14	105	41	41	2.20	56

Metric S: Mates with EO "S" Series Fittings
^ Must use Parkrimp 2 with Die Part No. 83C-L20.