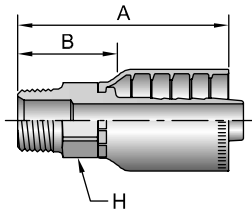


Hose
A

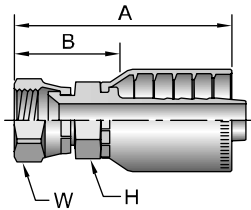


10178 Male NPTF Pipe - Rigid

# Part Number	Thread inch	Hose I.D. inch	A		H		B	
			inch	mm	inch	inch	inch	mm
10178-12-12	3/4x14	3/4	3.56	90	1-1/8	1.80	46	
10178-16-16	1x11-1/2	1	3.94	100	1-3/8	2.09	53	
10178-20-20	1-1/4x11-1/2	1-1/4	4.92	125	1-3/4	2.53	64	
10178-24-24	1-1/2x11-1/2	1-1/2	4.88	124	2	2.67	68	

Fittings
78 Series
B

10678 Female JIC 37° - Swivel

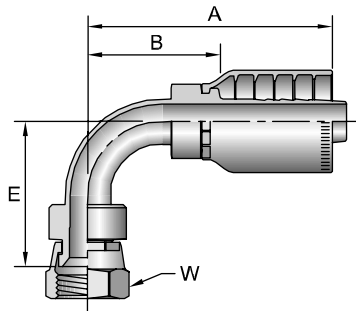


# Part Number	Thread inch	Hose I.D. inch	A		H	W	B		Additional Material Stainless Steel (C)
			inch	mm	inch	inch	inch	mm	
10678-12-12	3/4 1-1/16x12	3/4	3.66	93	1-1/8	1-1/4	1.90	48	•
10678-16-12	1 1-5/16x12	3/4	3.90	99	1-3/8	1-1/2	2.14	54	•
10678-16-16	1 1-5/16x12	1	4.03	102	1-3/8	1-1/2	2.18	55	•
10678-20-20	1-1/4 1-5/8x12	1-1/4	4.93	125	1-3/4	2	2.54	65	•
10678-24-24	1-1/2 1-7/8x12	1-1/2	5.04	128	2	2-1/4	2.83	72	•

All sizes of 10678 fittings are rated at 5,000 psi working pressure.

Equipment
C

13978 Female JIC 37° - Swivel - 90° Elbow - Short Drop

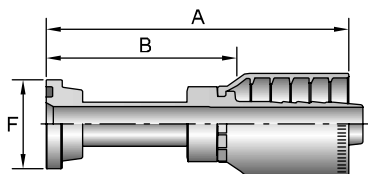


# Part Number	Thread inch	Hose I.D. inch	A		E		W		B	
			inch	mm	inch	mm	inch	inch	inch	mm
13978-12-12	3/4 1-1/16x12	3/4	4.12	105	2.44	62	1-1/2	2.36	60	
13978-16-16	1 1-5/16x12	1	4.71	120	2.93	74	1-1/2	2.86	73	
13978-20-20	1-1/4 1-5/8x12	1-1/4	5.67	144	3.35	85	2	3.28	83	

All sizes of 13978 fittings are rated at 5,000 psi working pressure.

Accessories
D

11578 SAE Code 61 Flange Head ISO 12151-3 - S - L



# Part Number	Flange inch	Hose I.D. inch	A		F		B	
			inch	mm	inch	inch	inch	mm
11578-12-12	3/4	3/4	4.34	110	1-1/2	2.58	66	
11578-16-16	1	1	4.59	117	1-3/4	2.74	70	

See Accessories for O-Rings and Flange Kits.

Technical
E