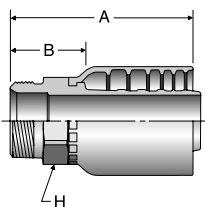


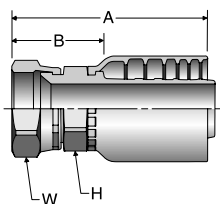
Hose
A



101S6 Male NPTF Pipe - Rigid

# Part Number	Thread inch	Hose I.D. inch	A		H	B	
			inch	mm	inch	mm	
101S6-32-32	2 x 11 1/2	2	5.88	149,5	2-1/2	2.44	61,9

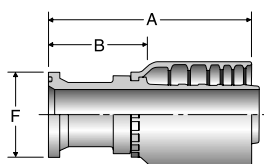
Fittings
78 Series
B



106S6 Female JIC 37° - Swivel

# Part Number	Thread inch	Hose I.D. inch	A		H	B	
			inch	mm	inch	mm	
106S6-32-32	2 1/2 x 12	2	6.52	165,7	2.5	3.08	78,2

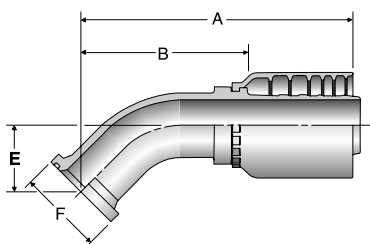
Equipment
C



14AS6 SAE Code 61 Flange Head - 5,000 psi ISO 12151-3-S-L (5,000 psi)

# Part Number	Flange inch	Hose I.D. inch	A		F	B		E	
			inch	mm	inch	inch	mm	inch	mm
14AS6-32-32	2	2	6.72	170,8	2-13/16	3.28	83,3	-	-

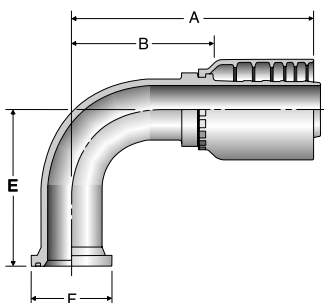
Accessories
D



14FS6 SAE Code 61 Flange Head - 45° Elbow - 5,000 psi ISO 12151-3-E-45S-L (1 Piece: ISO 12151-3-E45M-L) (5,000 psi)

# Part Number	Flange inch	Hose I.D. inch	A		F	B		E	
			inch	mm	inch	inch	mm	inch	mm
14FS6-32-32	2	2	9.00	228,7	2-13/16	5.56	141,2	2.205	56,0

Technical
E



14NS6 SAE Code 61 Flange Head - 90° Elbow - 5,000 psi ISO 12151-3-E-90S-L (1 Piece: ISO 12151-3-E90M-L) (5,000 psi)

# Part Number	Flange inch	Hose I.D. inch	A		F	B		E	
			inch	mm	inch	inch	mm	inch	mm
14NS6-32-32	2	2	8.41	213,7	2-13/16	4.97	126,2	5.433	138,0