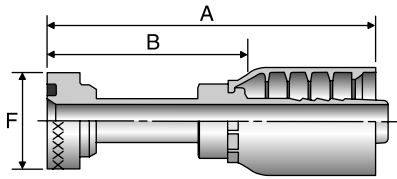


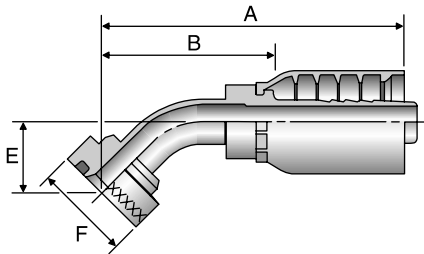
Hose  
**A**  
  
Fittings  
79 Series  
**B**  
  
Equipment  
**C**  
  
Accessories  
**D**  
  
Technical  
**E**

### 1XA79 Caterpillar® Flange Head



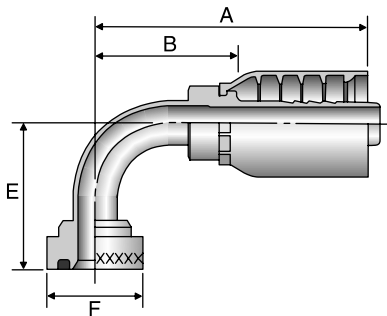
| #<br>Part Number | Flange<br>inch | Hose I.D.<br>inch | A    |     | F     |      | B    |    |
|------------------|----------------|-------------------|------|-----|-------|------|------|----|
|                  |                |                   | inch | mm  | inch  | mm   | inch | mm |
| 1XA79-12-12      | 3/4            | 3/4               | 4.89 | 124 | 1-5/8 | 2.83 | 72   |    |
| 1XA79-16-16      | 1              | 1                 | 5.75 | 146 | 1-7/8 | 3.59 | 91   |    |
| 1XA79-20-16      | 1-1/4          | 1                 | 4.32 | 110 | 2-1/8 | 2.15 | 55   |    |
| 1XA79-20-20      | 1-1/4          | 1-1/4             | 6.25 | 159 | 2-1/8 | 3.57 | 91   |    |
| 1XA79-24-24      | 1-1/2          | 1-1/2             | 7.17 | 182 | 2-1/2 | 4.13 | 105  |    |

### 1XF79 Caterpillar® Flange Head - 45° Elbow



| #<br>Part Number | Flange<br>inch | Hose I.D.<br>inch | A    |     | E    |    | F<br>inch | B    |     |
|------------------|----------------|-------------------|------|-----|------|----|-----------|------|-----|
|                  |                |                   | inch | mm  | inch | mm |           | inch | mm  |
| 1XF79-12-12      | 3/4            | 3/4               | 4.80 | 122 | 1.22 | 31 | 1-5/8     | 2.74 | 70  |
| 1XF79-16-16      | 1              | 1                 | 5.49 | 139 | 1.42 | 36 | 1-7/8     | 3.32 | 84  |
| 1XF79-20-16      | 1-1/4          | 1                 | 5.49 | 139 | 1.42 | 36 | 2-1/8     | 3.32 | 84  |
| 1XF79-20-20      | 1-1/4          | 1-1/4             | 6.72 | 171 | 1.44 | 37 | 2-1/8     | 4.04 | 103 |

### 1XN79 Caterpillar® Flange Head - 90° Elbow



| #<br>Part Number | Flange<br>inch | Hose I.D.<br>inch | A    |     | E    |     | F<br>inch | B    |     |
|------------------|----------------|-------------------|------|-----|------|-----|-----------|------|-----|
|                  |                |                   | inch | mm  | inch | mm  |           | inch | mm  |
| 1XN79-12-12      | 3/4            | 3/4               | 4.27 | 108 | 2.48 | 63  | 1-5/8     | 2.21 | 56  |
| 1XN79-16-16      | 1              | 1                 | 4.94 | 125 | 2.91 | 74  | 1-7/8     | 2.78 | 71  |
| 1XN79-20-16      | 1-1/4          | 1                 | 4.94 | 125 | 2.91 | 74  | 2-1/8     | 2.78 | 71  |
| 1XN79-20-20      | 1-1/4          | 1-1/4             | 6.31 | 160 | 3.70 | 94  | 2-1/8     | 3.63 | 92  |
| 1XN79-24-24      | 1-1/2          | 1-1/2             | 7.50 | 191 | 4.16 | 106 | 2-1/2     | 4.46 | 113 |