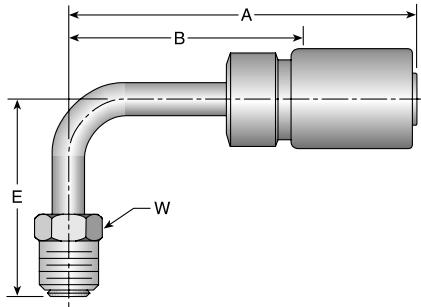


Hose
A



169HY

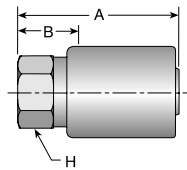
Male Inverted SAE 45° - Swivel - 90° Elbow

# Part Number	Thread inch	Hose I.D. inch	A		E		W		B	
			inch	mm	inch	mm	inch	inch	mm	
169HY-3-4	3/8x24	1/4	3.09	78	1.38	35	3/8	1.75	44	
169HY-4-4	7/16x24	1/4	3.28	83	1.47	37	7/16	1.94	49	
169HY-4-6	7/16x24	3/8	3.11	79	1.47	37	7/16	1.75	44	
169HY-5-4	1/2x20	1/4	3.52	89	1.66	42	1/2	2.16	55	
169HY-5-6	1/2x20	3/8	3.34	85	1.66	42	1/2	2.00	51	
169HY-6-5	5/8x18	5/16	4.05	103	1.69	43	5/8	2.69	68	
169HY-6-6	5/8x18	3/8	4.03	102	1.69	43	5/8	2.69	68	
169HY-7-6	11/16x18	3/8	4.16	106	1.69	43	11/16	2.81	71	
169HY-8-8	3/4x18	1/2	4.09	104	1.88	48	3/4	2.75	70	

Fittings
HY Series
B

129HY

Female Inverted SAE 45° - Rigid

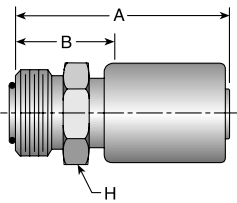


# Part Number	Thread inch	Hose I.D. inch	A		H inch	B	
			inch	mm		inch	mm
129HY-5-4	1/2x20	1/4	2.25	57	5/8	0.91	23
129HY-6-6	5/8x18	3/8	2.25	57	7/8	0.91	23

Equipment
C

1J0HY

Male Seal-Lok® - Rigid - (with O-Ring)
ISO 1215-1 - S

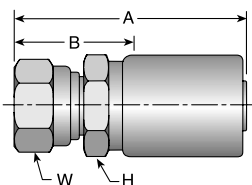


# Part Number	Thread inch	Hose I.D. inch	A		H inch	B	
			inch	mm		inch	mm
1J0HY-4-4	9/16x18	1/4	2.36	60	5/8	1.00	25
1J0HY-6-6	11/16x16	3/8	2.49	63	3/4	1.13	29
1J0HY-8-8	13/16x16	1/2	2.69	68	7/8	1.34	34
1J0HY-12-8	1-3/16x12	1/2	2.91	74	1-1/4	1.56	40

Accessories
D

1JCHY

Female Seal-Lok® - Swivel - Short
ISO 12151-1 - SWSA



# Part Number	Thread inch	Hose I.D. inch	A		H inch	W inch	B	
			inch	mm			inch	mm
1JCHY-4-4	9/16x18	1/4	2.61	66	9/16	11/16	0.94	24
1JCHY-6-6	11/16x16	3/8	2.69	68	11/16	13/16	0.94	24
1JCHY-8-8	13/16x16	1/2	2.91	74	7/8	15/16	1.13	29
1JCHY-12-12	1-3/16x12	3/4	3.31	84	1-1/4	1-3/8	1.13	29

Technical
E

See Accessories for O-Rings.