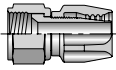

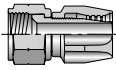

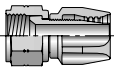

 <p>JIC 37°</p>	<p>20623 B-148</p>  <p>Female - Swivel</p>	 <p>SAE 45°</p>	<p>20823 B-148</p>  <p>Female - Swivel</p>	 <p>PTT 30°</p>	<p>23223 B-148</p>  <p>Female - Swivel</p>
 <p>Assembly Instructions</p>	<p>23 Series Assembly Instructions B-149</p>				

Hose
A

Fittings
23 Series
B

Equipment
C

Accessories
D

Technical
E