

PTFE Hose & Fittings

Thermoplastic Tubing

Coiled Air Hose, Fittings & Accessories

Truck (Fleet) Products

Tooling & Equipment

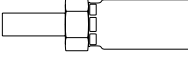

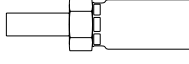
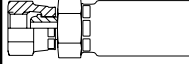
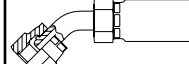

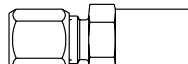
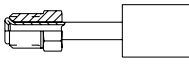
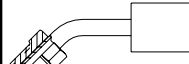

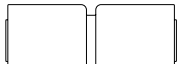

Hose Accessories

Technical & Design Information

Approvals & Guides

numeric index

Permanent Hose Fittings

<p>11D Metric Standpipe Light Series</p>  <p>55 - pg. 74, 58 - pg. 99</p>	<p>1D9 Male BSP</p>  <p>55 - pg. 75, 58 - pg. 101</p>	<p>13D Metric Standpipe Heavy Series</p>  <p>55 - pg. 75, 58 - pg. 102</p>	<p>192 BSP Swivel Female, Ballnose</p>  <p>55 - pg. 76, 58 - pg. 100</p>	<p>1B1 BSP Female Swivel 45° Elbow, Ballnose</p>  <p>55 - pg. 76, 58 - pg. 100</p>	<p>1B2 BSP Female Swivel 90° Elbow, Ballnose</p>  <p>55 - pg. 77, 58 - pg. 101</p>
<p>92 Series Hose Fittings</p>	<p>111 Ferrul-Fix</p>  <p>92 - pg. 103</p>	<p>128 SAE Male Inverted Swivel Straight</p>  <p>92 - pg. 103</p>	<p>167 SAE Male Inverted Swivel 45° Elbow</p>  <p>92 - pg. 104</p>	<p>169 SAE Male Inverted Swivel 90° Elbow</p>  <p>92 - pg. 104</p>	<p>SQ Series Hose Fittings</p>
<p>SQ Mender</p>  <p>SQ - pg. 110</p>	<p>101</p>  <p>SQ - pg. 110</p>				

Please refer to the Hose Fitting Thread Guide.

Note: Fittings 43, HY (pages 112-128) and 82 are all Hose Product Division Fittings and must be purchased through HPD. HY fittings have been added to this catalog for reference purposes only.

Note: Brass or stainless steel fittings are recommended for use with water-based fluids to avoid potential corrosion.