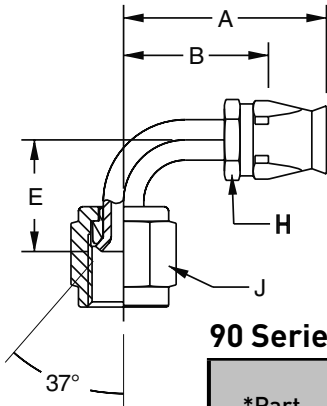


## 23990 SAE (JIC) 37° Swivel 90° Elbow

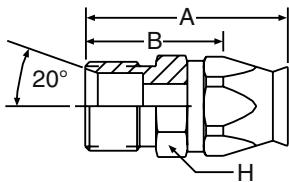


### 90 Series Field Attachable

*Part Number	C	Thread Size	Hose Size	Tube Size	A		Cutoff Allow. B		E		H Hex	J Hex
					inch	mm	inch	mm	inch	mm	inch	inch
#												
Hose Fitting			inch	inch	inch	mm	inch	mm	inch	mm	inch	inch
23990-4-4	+	7/16-20	-4	1/4	1.67	41	1-1/4	32	0.68	17	9/16	9/16
23990-5-5	+	1/2-20	-5	5/16	1.75	44	1-1/4	32	0.77	20	5/8	5/8
23990-6-6	+	9/16-18	-6	3/8	1.86	47	1-3/8	35	0.85	22	11/16	11/16
23990-8-6	+	3/4-16	-6	1/2	1.95	50	1-7/16	37	1.09	28	11/16	7/8
23990-8-8	+	3/4-16	-8	1/2	2.15	55	1-1/2	38	1.09	28	13/16	7/8
23990-10-10	+	7/8-14	-10	5/8	2.38	60	1-3/4	44	1.23	31	15/16	1
23990-12-12	+	1-1/16-12	-12	3/4	2.95	75	2-5/16	59	1.82	46	1-1/8	1-1/4
23990-16-16	+	1-5/16-12	-16	1	3.13	80	2-1/2	64	2.14	54	1-3/8	1-1/2
23990-20-20	+	1-5/8-12	-20	1-1/4	3.54	90	1-7/8	73	2.57	65	2	1-3/4

\* Brass ferrule, steel tube, nut and socket.  
C - All components 303 stainless steel.

## 26190 SAE Compression Air Brake



### 90 Series Field Attachable

*Part Number	B	C	Thread Size	Hose Size	Tube Size	A		Cutoff Allow. B		H Hex
#										
Hose Fitting				inch	inch	inch	mm	inch	mm	inch
26190-8-8	+	+	11/16-20	-8	1/2	1.69	43	1-1/16	27	13/16
26190-8-10	+	+	11/16-20	-10	1/2	1.86	47	1-3/16	30	1
26190-10-10	+	+	13/16-18	-10	5/8	1.92	49	1-15/16	49	1
26190-12-10 (+)	+	+	1-18	-10	3/4	1.31	33	1-5/16	33	1
26190-12-12	+	+	1-18	-12	3/4	2.09	53	1-7/16	37	1-1/8

\* Brass nipple and ferrule, steel socket.  
B - Brass nipple, brass shell.  
C - All components 303 stainless steel.

[+] Non Standard. See page ii for information on non-standard products.