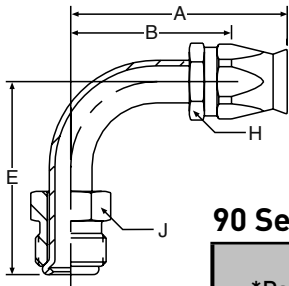


26990 SAE Male Inverted Swivel 90° Elbow

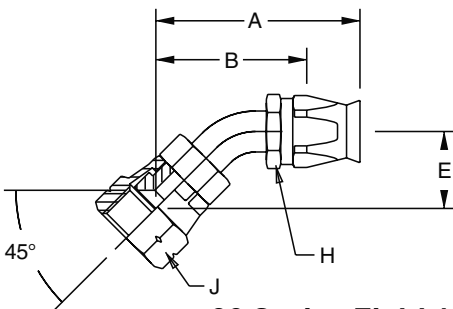


90 Series Field Attachable

*Part Number	C	Thread Size		Tube Size		Cutoff Allow. B		E		H Hex	J Hex	
				inch	mm	inch	mm	inch	mm	inch	inch	
#												
Hose Fitting			inch	inch	inch	mm	inch	mm	inch	mm	inch	inch
26990-4-4	+	7/16-24	-4	1/4	1.79	45	1-5/16	33	1.19	30	9/16	7/16
26990-5-5	+	1/2-20	-5	5/16	2.01	51	1-1/2	38	1.65	42	5/8	1/2
26990-5-6	+	1/2-20	-6	5/16	2.05	52	1-9/16	40	1.65	42	11/16	1/2
26990-6-6	+	5/8-18	-6	3/8	2.03	52	1-1/2	38	1.70	43	11/16	5/8
26990-8-8	+	3/4-18	-8	1/2	2.30	58	1-11/16	43	1.78	45	13/16	3/4
26990-8-10	+	3/4-18	-10	1/2	2.39	61	1-3/4	44	1.78	45	15/16	3/4
26990-10-10	+	7/8-18	-10	5/8	2.65	67	2	51	2.18	55	15/16	7/8
26990-12-12	+	1-1/16-16	-12	3/4	2.81	71	2-3/16	56	2.51	64	1-1/8	1-1/16

* Brass ferrule, steel tube, nut and socket.
C - All components 303 stainless steel.

27790 SAE 45° Swivel 45° Elbow



90 Series Field Attachable

*Part Number	C	Thread Size		Tube Size		Cutoff Allow. B		E		H Hex	J Hex	
				inch	mm	inch	mm	inch	mm	inch	inch	
#												
Hose Fitting			inch	inch	inch	mm	inch	mm	inch	mm	inch	inch
27790-6-6	+	5/8-18	-6	3/8	1.72	44	1-3/16	30	0.39	10	11/16	3/4
27790-12-12	+	1-1/16-14	-12	3/4	2.87	73	2-1/4	57	0.78	20	1-1/8	1-1/4

* Brass ferrule, steel tube, nut and socket.
C - All components 303 stainless steel.

[+] Non Standard. See page ii for information on non-standard products.