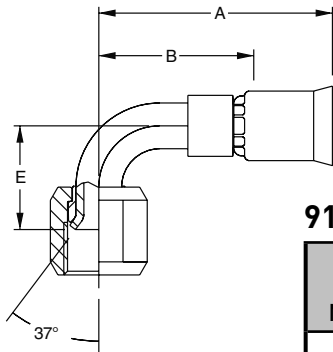


# 13991N JIC 37° Swivel 90° Elbow

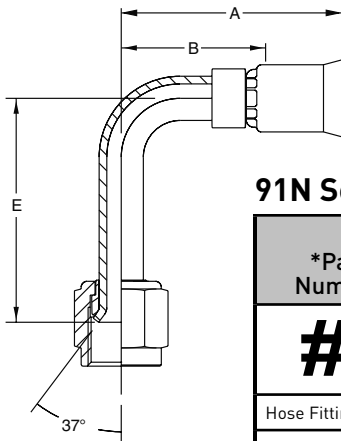


## 91N Series Permanent

*Part Number	C	Thread Size		Tube Size	A		Cutoff Allow. B		E		J Hex
#											
Hose Fitting			inch	inch	inch	mm	inch	mm	inch	mm	inch
13991N-4-4		7/16-20	-4	1/4	1.62	41	1-1/16	37	0.68	17	9/16
13991N-5-5	+	1/2-20	-5	5/16	1.71	43	1-1/8	29	0.77	20	5/8
13991N-6-6	+	9/16-18	-6	3/8	1.91	49	1-1/4	32	0.85	22	11/16
13991N-8-8		3/4-16	-8	1/2	2.03	52	1-5/16	33	1.09	28	7/8
13991N-10-10		7/8-14	-10	5/8	2.27	58	1-9/16	37	1.23	43	1
13991N-12-12	+	1-1/16-12	-12	3/4	2.75	58	1-15/16	49	1.82	46	1-1/2
13991N-16-16	+	1-5/16-12	-16	1	3.15	80	2-3/16	56	2.14	52	1-1/2
13991-20-20	+	1-5/8-12	-20	1-1/4	3.53	90	2-7/16	62	1.18	30	2

\* Steel tube, nipple, nut and shell.  
C - All components 303 stainless steel.

# 14191N JIC 37° Swivel 90° Long Elbow



## 91N Series Permanent

*Part Number	C	Thread Size		Tube Size	A		Cutoff Allow. B		E		J Hex
#											
Hose Fitting			inch	inch	inch	mm	inch	mm	inch	mm	inch
14191N-4-4		7/16-20	-4	1/4	1.66	42	1-1/8	29	1.80	46	9/16
14191N-5-5	+	1/2-20	-5	5/16	1.72	44	1-1/8	29	1.77	45	5/8
14191N-6-6	+	9/16-18	-6	3/8	1.93	49	1-5/16	33	2.18	55	11/16
14191N-8-8	+	3/4-16	-8	1/2	2.11	54	1-3/8	35	2.43	62	7/8
14191N-10-10	+	7/8-14	-10	5/8	2.34	59	1-5/8	41	2.57	43	1
14191N-12-12	+	1-1/16-12	-12	3/4	2.63	58	1-7/8	48	3.73	95	1-1/4
14191N-16-16	+	1-5/16-12	-16	1	3.15	80	2-3/16	56	4.33	110	1-1/2
14191-20-20 (+)	+	1-5/8-12	-20	1-1/4	4.00	102	2-15/16	75	5.28	134	2

\* Steel tube, nipple, nut and shell.  
C - All components 303 stainless steel.

(+) Non Standard. See page ii for information on non-standard products.

Hydraulic & Pneumatic Hose & Fit.

PTFE Hose & Fittings

Thermoplastic Tubing

Coiled Air Hose, Fittings & Accessories

Truck (Fleet) Products

Tooling & Equipment

Hose Accessories

Technical & Design Information

Approvals & Guides

numeric index